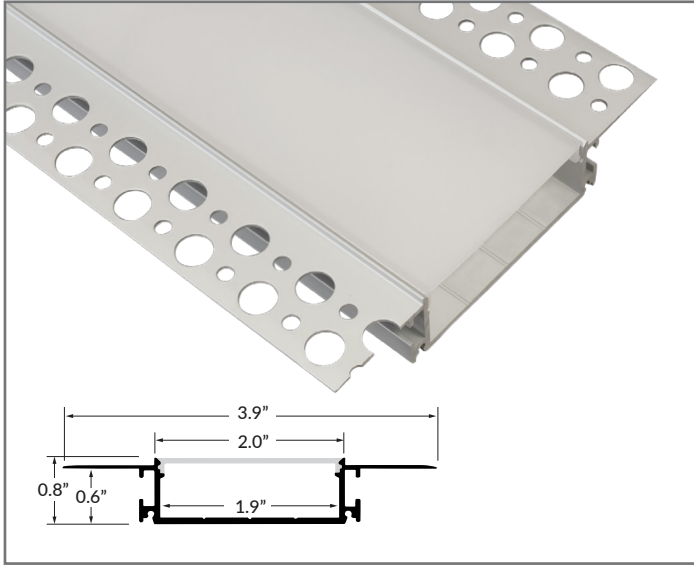




SPECIFIER \_\_\_\_\_  
 PROJECT \_\_\_\_\_  
 DATE \_\_\_\_\_

# SEAMLESS 2.0 EXTRUSION



## QUICK SPECIFICATIONS

|                     |                                    |
|---------------------|------------------------------------|
| BODY MATERIAL       | Double anodized aluminum           |
| LENS MATERIAL       | Polycarbonate                      |
| MAX. LED TAPE WIDTH | Accommodates tapes up to 1.9" wide |
| DIMENSIONS          | 3.9" W x 0.8" H                    |

### FINISH

Standard finish is silver anodized.

### MOUNTING

Fits a minimum 5/8" wall depth. Gypsum adhesive or mounting adhesive recommended (sold separately).

## PART NUMBER BUILDER / ORDERING GUIDE

Example part number: LLI-XR-SM2-SA-F-48IN

| SERIES     | FINISH             | LENS      | LENGTH   |
|------------|--------------------|-----------|--|
| LLI-XR-SM2 | SA                 | F         |  |
|            | SA Silver Anodized | F Frosted | (enter custom length in inches, up to 94")<br>48IN 48" section<br>94IN 94" section |

## ACCESSORIES



**ENDCAP**  
4 endcaps included; extra endcaps sold separately

**LLI-XR-SM2-EC**

## CORNERS (SOLD SEPARATELY, PREASSEMBLED, LENS AND JOINER BARS INCLUDED)



T CORNER

**LLI-XR-SM2-TEE-12IN**

Dimensions:  
12 L x 12" L



X CORNER

**LLI-XR-SM2-CROSS-12IN**

Dimensions:  
12" L x 12" L



90° INSIDE CORNER

**LLI-XR-SM2-90D-INS-6IN**

Dimensions:  
6" L x 6" L



90° OUTSIDE CORNER

**LLI-XR-SM2-90D-OUT-6IN**

Dimensions:  
6" L x 6" L



90° FLAT CORNER

**LLI-XR-SM2-90D-FLT-6IN**

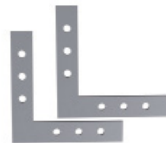
Dimensions:  
6" L x 6" L



JOINER BARS

**LLI-XR-SM2-JBAR-180**

(Screws and hex wrench included)



L JOINER BARS

**LLI-XR-SM2-JBAR-90F**

(Screws and hex wrench included)