

Outdoor Wall/Grazer



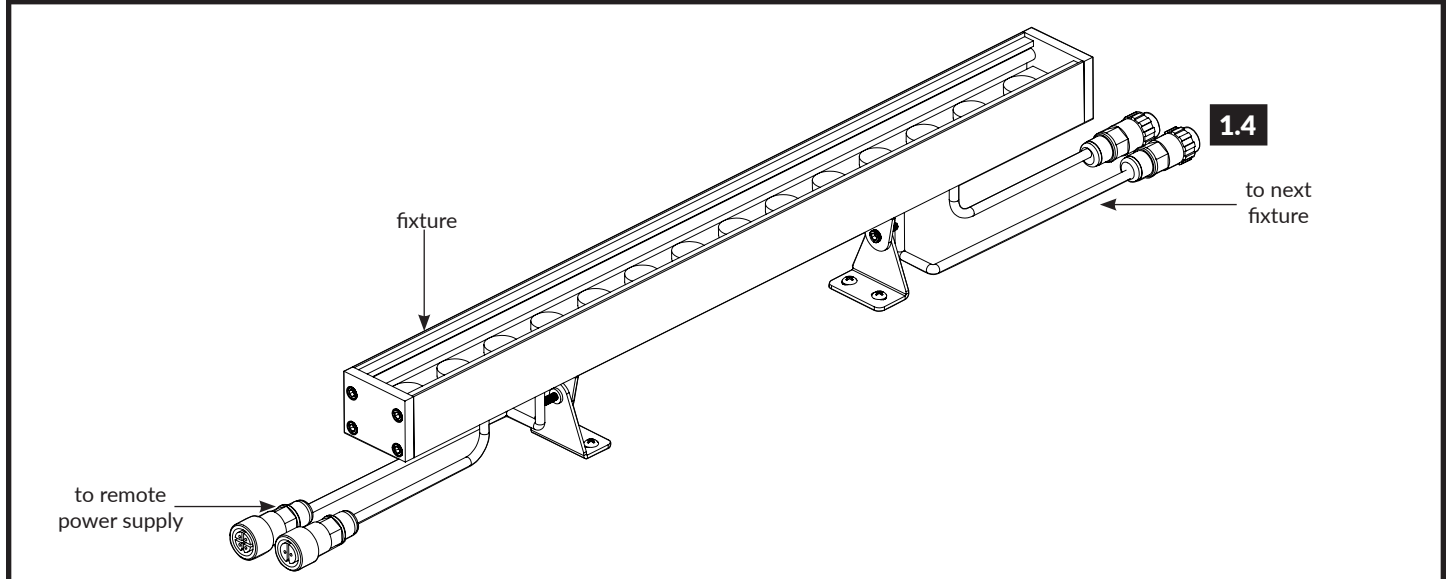
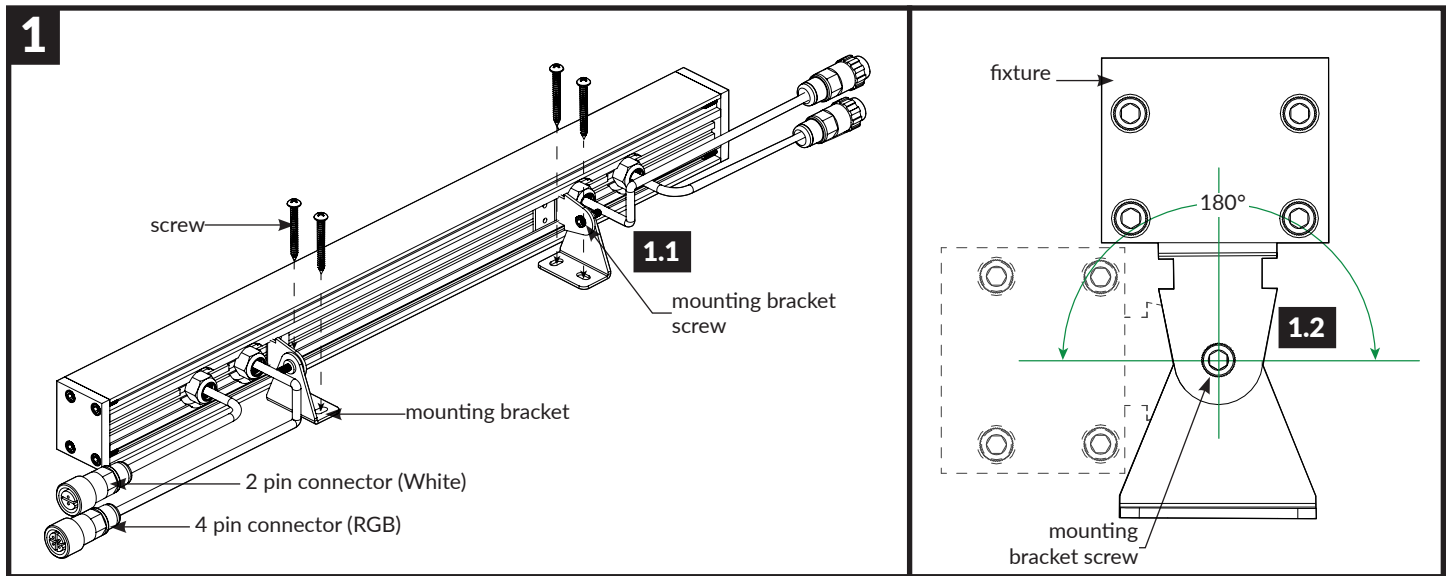
## SAFETY INFORMATION

**WARNING:** Do not connect directly to high voltage power (120V-277V). Use only with 24V DC hardwire or plug-in power supply. Factory warranty will be void if used otherwise.

- Read complete instruction.
- These products may represent a potential shock or fire hazard if improperly installed or attached in any way. Products should be installed in accordance with these instructions, local electrical codes and the National Electric Code (NEC).
- Do not use if there is any damage to the unit or to the wiring/insulation. Inspect periodically.
- Do not route cords through walls, doors, windows or any similar part of a building structure.
- Do not secure fixture cord or its power cord with staples, nails, or any other sharp objects that may cause damage. Mounting adhesive is available (sold separately).
- Do not install fixture closer than 6" to combustible material.
- Ensure proper gauge wires are installed between Power Supplies, Controls & fixture to avoid voltage drop.
- Ensure applicable wires are in compliance with local codes (In-wall rated, wet-location, high temperature, etc.).
- Recommended load for power supplies is 80%.



# Install the Fixture - Secure & Power



**INSTALLATION NOTES:**

- Make sure the remote power supply wires are near enough to connect later with the fixture.

- 1.1 Loosen the screw on the mounting brackets.
- 1.2 Once the desired mounting location is determined, rotate fixture to one side to expose the mounting holes. Then secure the fixture to the surface with the appropriate hardware. If connecting multiple fixtures together make sure to have connectors close enough to connect to each other. Also make sure to have the right connector port (male/female and so on) next to each other.
- 1.3 Rotate the fixture to the desired angle, reference the angle markings on the mounting bracket. Then tighten the screw on the mounting bracket to secure in position.
- 1.4 From one side of the fixture run the 24V DC wires to the remote supply. Then, If applicable, run the opposite side's 24VDC wires to the next fixture. Reference page 3-4 for wiring details.

**WARNING:** Do not connect 24V DC wires directly to high voltage power (120V-277V). Factory warranty will be void if used otherwise.



## Connect to Power

**2**

male connector

female connector

**2.2**

INSTALLED

**2.1**

4 pin (RGB models)

2 pin (static white models)

2.1 Reference connector type, either 2 pin (static white) or 4 pin (if applicable, RGB) to determine how to connect to the corresponding module.

2.2 If connecting multiple fixtures together, align one connector to other, then slide completely into the other. Followed by twisting the blue portion on the connector to secure.

2.3 Connect power feed whip to the fixture, followed by making all the additional connections. Follow wiring diagram for any additional information.

*Static White Models*

*RGB Models*

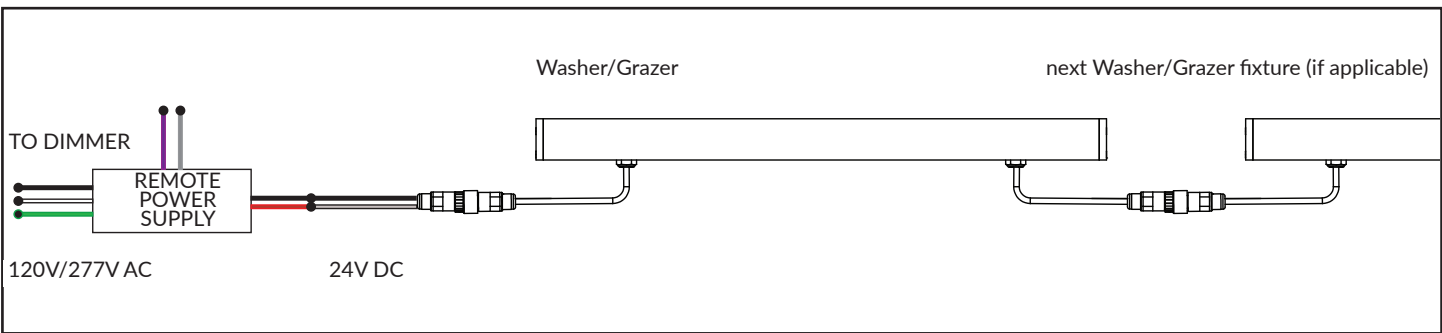
**2.3**



### Low Voltage Wire Gauge Chart

24V DC Voltage Drop and Wire Length (ft.) Distance Chart													
Power (W)	10W	20W	30W	40W	50W	60W	70W	80W	90W	100W	110W	120W	
Wire Gauge	#18	189'	94'	63'	47'	38'	31'	27'	24'	21'	19'	17'	16'
	#16	300'	149'	100'	76'	60'	50'	43'	37'	33'	30'	27'	25'
	#14	478'	238'	159'	120'	95'	79'	68'	60'	53'	48'	43'	40'
	#12	753'	274'	250'	189'	150'	125'	108'	94'	83'	75'	68'	63'
	#10	1205'	599'	400'	303'	240'	200'	172'	150'	133'	120'	109'	100'

### Typical Wiring Diagram - Static Color



### Typical Wiring Diagram - Dynamic Color

