

# LUTRON HI-LUME PREMIER 0.1% ECOSYSTEM / 3-WIRE CONSTANT VOLTAGE 24V LED DRIVER



## DESCRIPTION

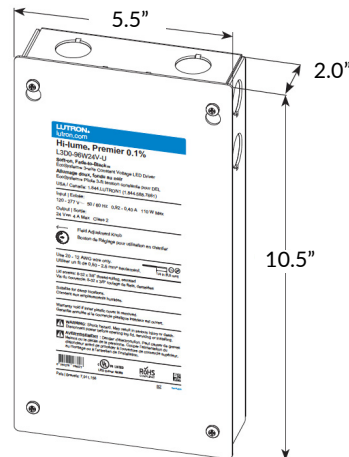
- Continuous, flicker-free dimming from 100% to 0.1%.
- Soft-on, Fade-to-Black operation for EcoSystem controls: fades smoothly between 0% and 0.1% when turned on and off for an incandescent-like experience.
- PWM dimming meets IEEE1789 over the entire dimming range.
- Smooth, flicker free dimming to 0.1% low-end.
- Commercial grade housing with wiring compartments.
- Field Adjustment Knob offers customer low-end light output tuning for better fixture-to-fixture matching.

## PART NUMBER

SERIES	CAPACITY	VOLTAGE	
L3D0	- 96W	- 24V	- U

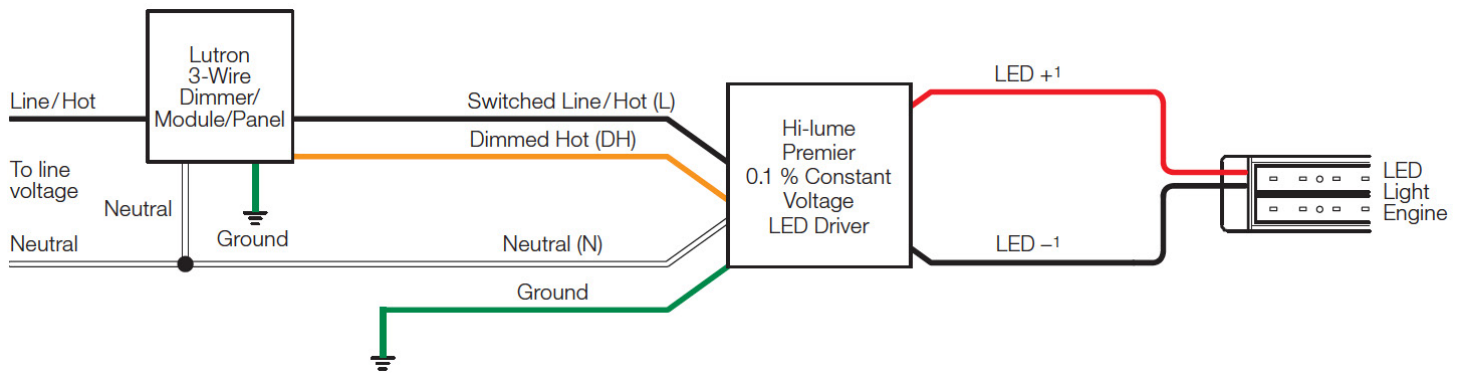
[Click for Lutron specification sheet](#)

## DIMENSIONS



# LUTRON HI-LUME PREMIER 0.1% ECOSYSTEM / 3-WIRE CONSTANT VOLTAGE 24V LED DRIVER

## WIRING DIAGRAM



[Click for Lutron specification sheet](#)