

# STAND ALONE DMX CONTROLLER, STICK-CW4



Black glass finish



White glass finish



## PART NUMBER

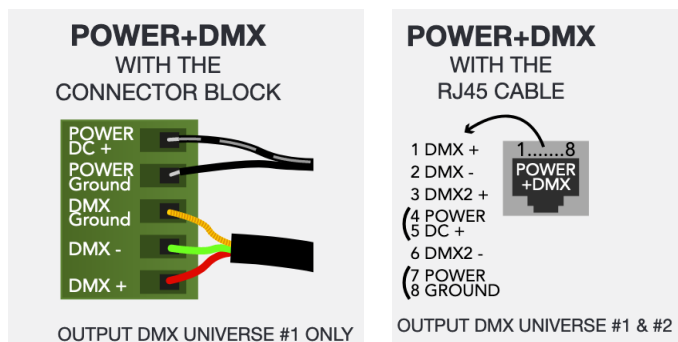
SERIES	PROTOCOL	TYPE	FINISH
LLI-C-CTRL	DMX	STICK-CW4	

BL Black glass  
WH White glass

### POWER OPTIONS

Power and DMX cable connections shown on screw-terminal connector. Controller may be powered by Power + DMX RJ45 cable instead

DMX Certified Cable is required for use between Decoders/Receivers and Controllers. The cable must be rated for electronic transmission. Standard solid/stranded building wire (THHN & others) will not work to transmit the DMX signal.



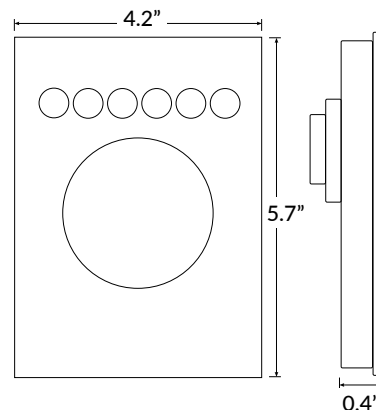
**NOTE:** Do not apply power to the DMX input. Doing so will damage the controller and void the warranty.

## QUICK SPECIFICATIONS

INCLUDED IN PACKAGE	Controller, connector block, power supply, mini-USB cable, ESA2 software, ESA Pro2 Software
OS/COMPUTER REQUIREMENTS	Mac OSx 10.6 or higher / Windows XP or higher
PROGRAM SOFTWARE	Easy Stand Alone, ESA2 (Mac/Windows)
CONNECTIONS	Power/DMX - screw terminal and RJ45 Programming - miniUSB port
POWER SUPPLY	Requires 5-10VDC 0.6A power supply (included)
MEMORY	Integrated flash memory
WEIGHT	0.44 lb (200g)
MOUNTING	Single or double gang wall box
IP RATING	IP20 - dry locations only
WARRANTY	5 year limited

### FEATURES

- Compatible with any DMX LED driver
- Can be controlled via Wifi from a computer, smartphone, or tablet using the iOS or Android apps
- Touch-sensitive buttons, glass face
- Up to 36 dynamic or static scenes
- 1024 DMX channels control up to 340 RGB fixtures
- Can be used as a stand-alone controller or USB-tethered to Windows/Mac software for programming dynamic effects



# STAND ALONE DMX CONTROLLER, STICK-CW4

EXAMPLE WIRING DIAGRAM LED POWER SUPPLY, DECODER, AND LED TAPE SOLD SEPARATELY

