

TOUCH PANEL DMX WALL CONTROLLER

QUICK SPECIFICATIONS

LED TAPELIGHT COMPATIBILITY	Compatible with 12-24V DC LED tapelights
PROTOCOL	DMX hardwire
ZONES	RGBW - 3 zones Tunable White - 4 zones, 2 scenes
INTERFACE	Glass touch control
WARRANTY	5 year limited

POWER

Power supply for controller not included.
12-24V DC power supply required for controller.

DMX Certified Cable is required for use between Decoders/Receivers and Controllers. The cable must be rated for electronic transmission. Standard solid/stranded building wire (THHN & others) will not work to transmit the DMX signal.



RGBW CONTROLLER

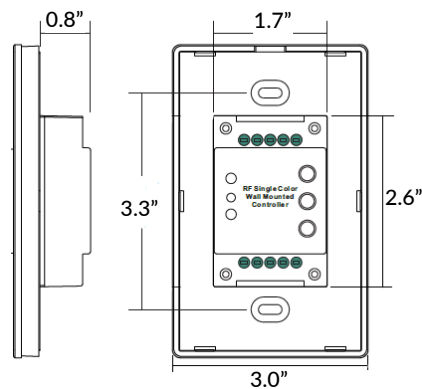


TUNABLE WHITE CONTROLLER



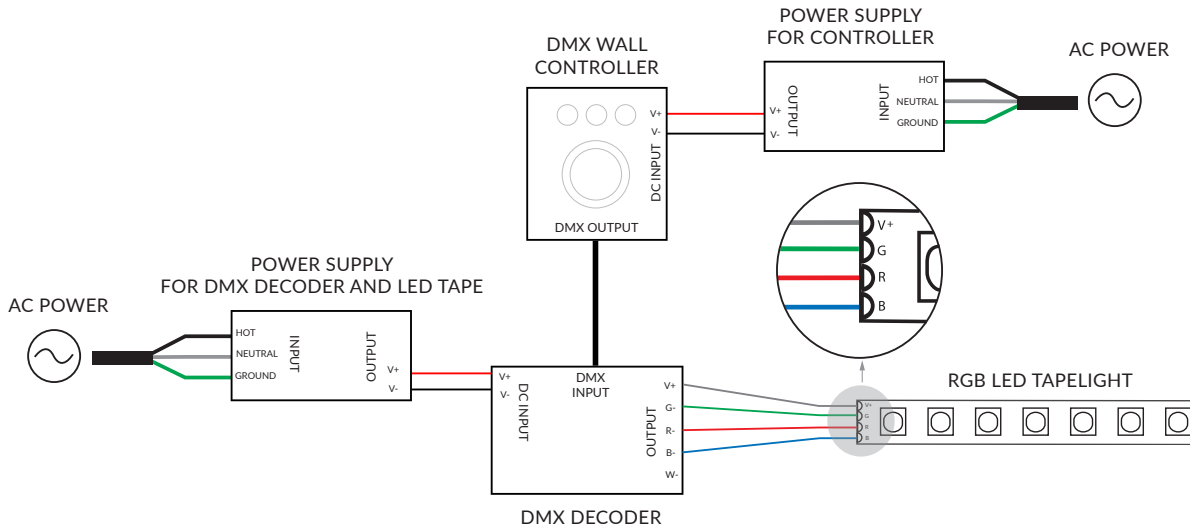
PART NUMBER

SERIES	PROTOCOL	FUNCTION	STYLE
LLI-C-CTRL	DMX		TP
		RGBW RGB(W)	TP Touch Panel
		TW Tunable White	



TOUCH PANEL WALL CONTROLLER

EXAMPLE RGB(W) DMX WIRING DIAGRAM POWER SUPPLY, DECODER, AND LED TAPELIGHT SOLD SEPARATELY



EXAMPLE TUNABLE WHITE DMX WIRING DIAGRAM POWER SUPPLY, DECODER, AND LED TAPELIGHT SOLD SEPARATELY

