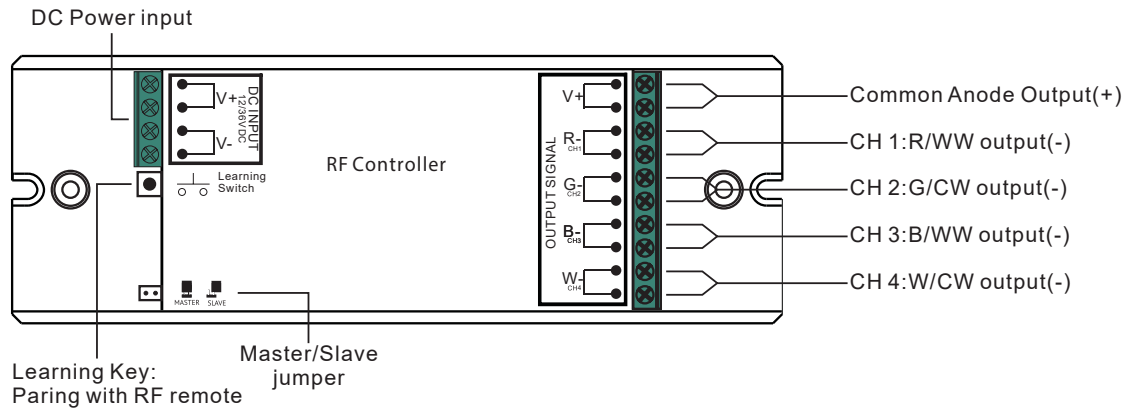


PRODUCT DATA:

INPUT VOLTAGE	OUTPUT CURRENT	OUTPUT POWER	REMARKS	SIZE (LXWXH)
12-36V DC	4 X 8A	4 X (96-288)W	CONSTANT VOLTAGE	6.69" X 2.32" X 1.14"

FUNCTION INTRODUCTION:



SAFETY INFORMATION

WARNING: These products may represent a potential shock or fire hazard if improperly installed or attached in any way. Products should be installed in accordance with these instructions, local electrical codes and the National Electric Code (NEC).

- DO NOT install with power applied to device.
- DO NOT operate the dial switches for device mode selection with power applied to device.
- DO NOT expose the device to moisture.
- DO NOT install the receiver into a metal enclosure. It can cause signal interference that will affect the programming of the system.

Operations

Pair RF Receiver with RF remote:

1. Connect receiver according to the wiring diagram. Power on
2. Turn on the remote and press the "Learning Key" button on the receiver. The light on the receiver will flicker twice, indicating it is now paired to the remote. For multiple zones, select a zone number on the remote after pressing the "Learning Key" and the receiver will pair to the zone."

Note: one receiver can be paired with max 8 remote controls.

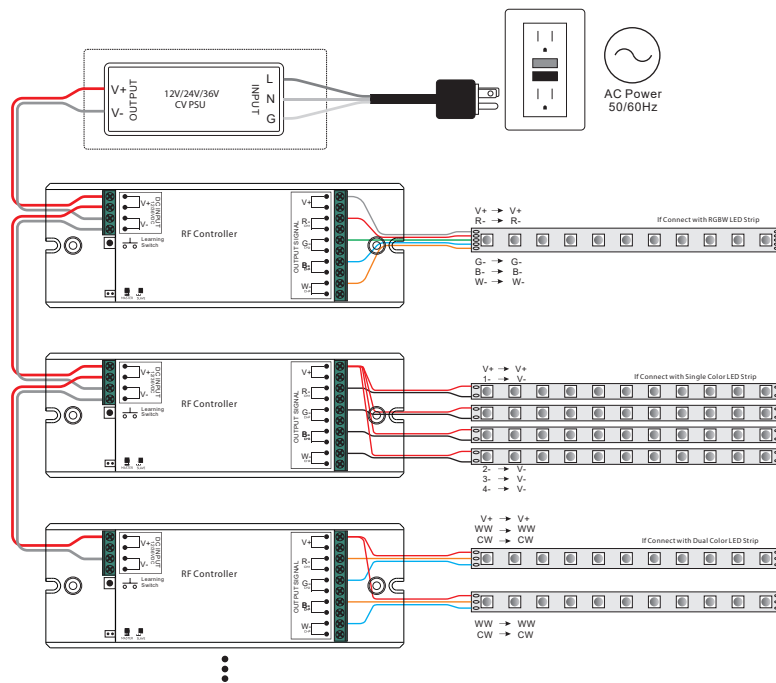
Delete the pairing:

1. Wire receiver according to the wiring diagram. Power on
2. Hold down the " Learning Key" button on receiver for over 3 seconds until the connected led light on receiver flickers twice, which means it is deleted.

MASTER/SLAVE jumper:

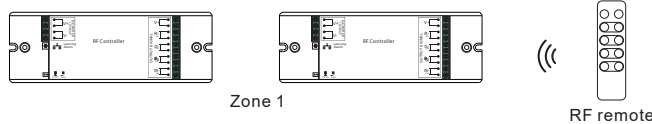
In a group of multiple receivers, in order to get a good sync of RGB running effect, please set only 1 receiver as MASTER, the other receivers as SLAVE.
 After setting the Master, power off and on the Master receiver to make the Master function take effect.

Wiring Diagrams



If you use multiple receivers, you have two choices:

Option 1: have all the receivers in the same zone, like zone 1



Option 2: have each receiver in a different zone, like zone 1, 2, 3 or 4

