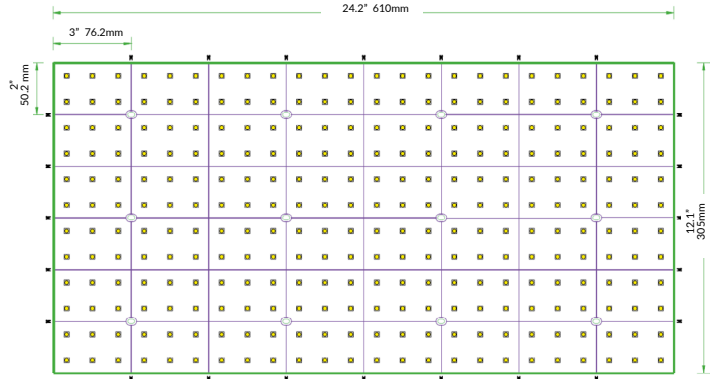
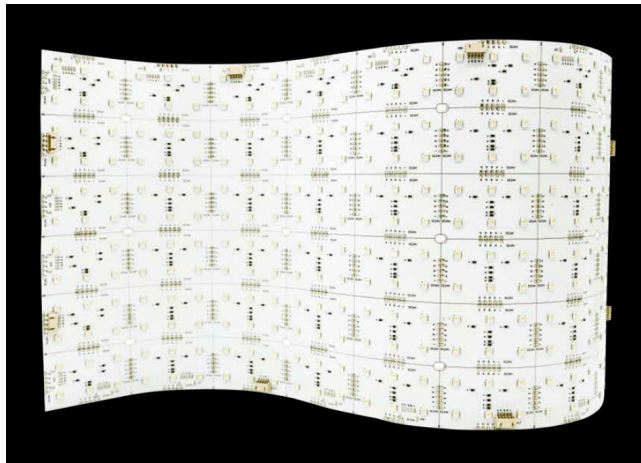


COLOR CHANGING FLEX SHEET

RGBW / Flexible LED Sheet / 24V



TECHNICAL INFORMATION

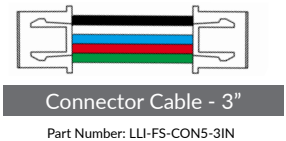
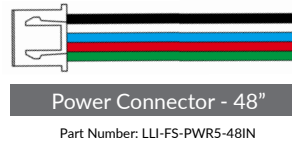
WATTAGE	46.0W per sheet	
IP RATING	IP20 - dry location	
TOTAL OUTPUT	RGB27K - 2161 lm Red - 296 lm Green - 845 lm Blue - 171 lm 2700K - 995 lm	RGB30K - 2200 lm Red - 296 lm Green - 845 lm Blue - 171 lm 3000K - 1034 lm
INPUT VOLTAGE	24VDC	
DIODE SPACING	every 1"	
CRI	90+	
CUT LENGTH	Cuttable every 8 LEDs or 2" x 3" sections	
MAXIMUM RUN	2 sheets in series connection	
SHEET DIMENSIONS	24" W x 12" H (610mm x 305mm)	
ADHESIVE BACKING	Yes - 3M™ mounting adhesive tape	
LIFESPAN	50,000 hrs	
WARRANTY	3 year limited	
POWER SUPPLY	Compatible with all non-dimmable 24VDC power supplies - see power supply section of website	

RECOMMENDED APPLICATIONS:

- Back-lit graphics
- Sign lighting
- Retail displays

CONNECTORS:

One (1) power connector (length 48") and two (2) connector cables are included with each sheet. Do not exceed 6A.



MOUNTING OPTIONS:

See page 2 for full mounting details. 3M™ mounting adhesive included on the back of sheet. Holes available for securing with screws.

PART NUMBER BUILDER / ORDERING GUIDE

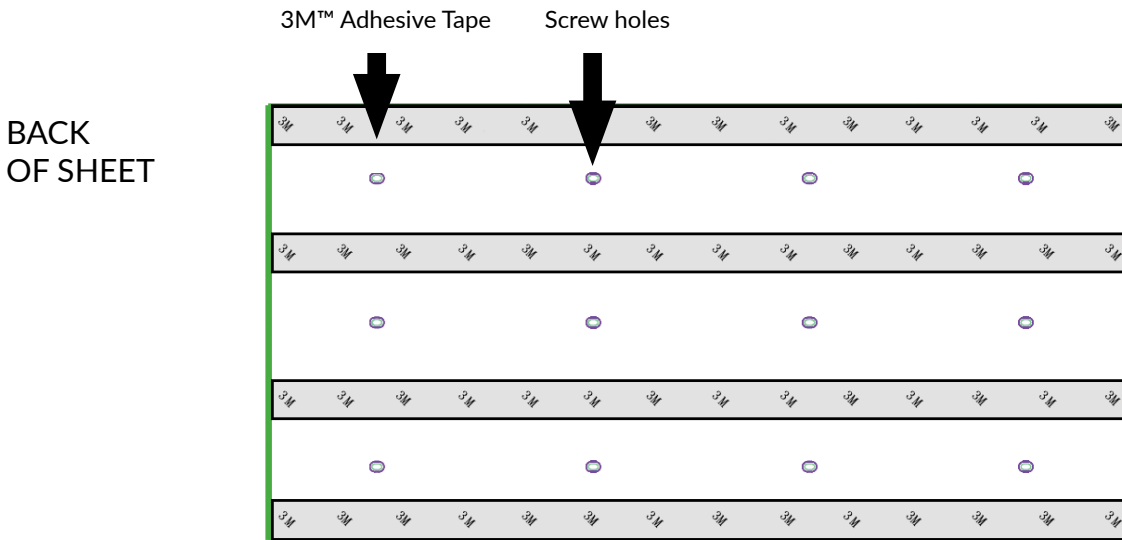
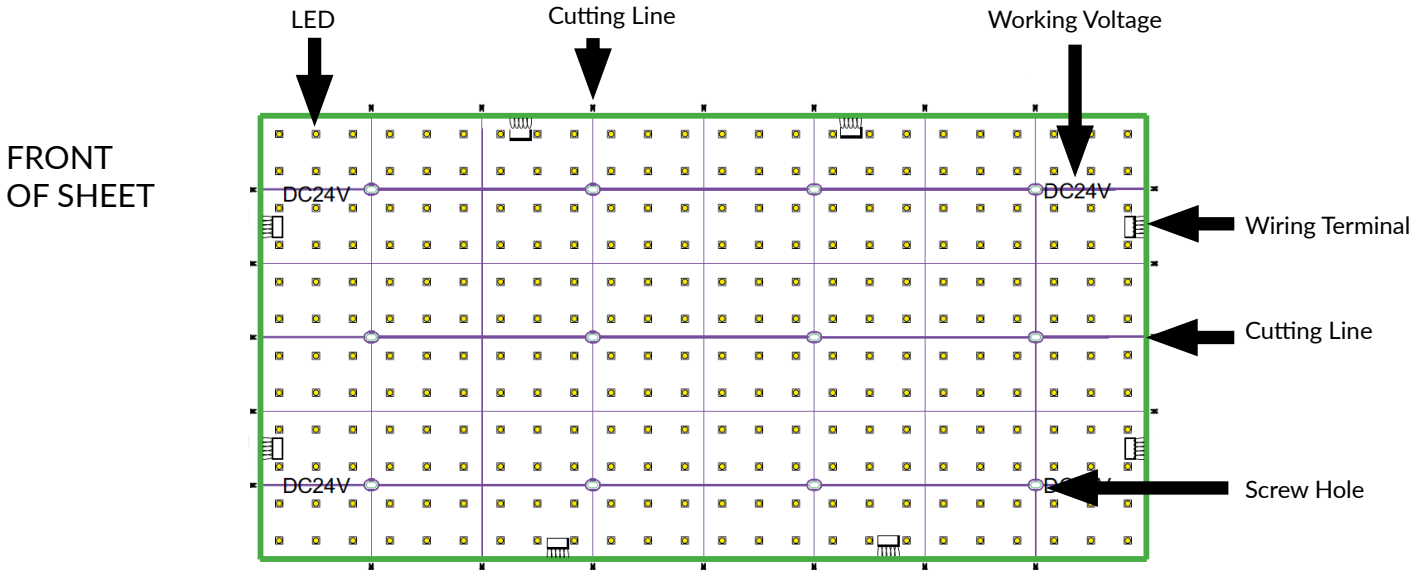
Example part number: LLI-FS46.0W-20-R30-24V

SERIES	IP RATING	COLOR	VOLTAGE
LLI-FS46.0W	20	R27 R30	24V

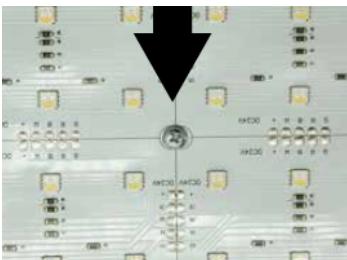
COLOR CHANGING FLEX SHEET

RGBW / Flexible LED Sheet / 24V

INSTALLATION / MOUNTING OPTIONS



Screw holes (detail)

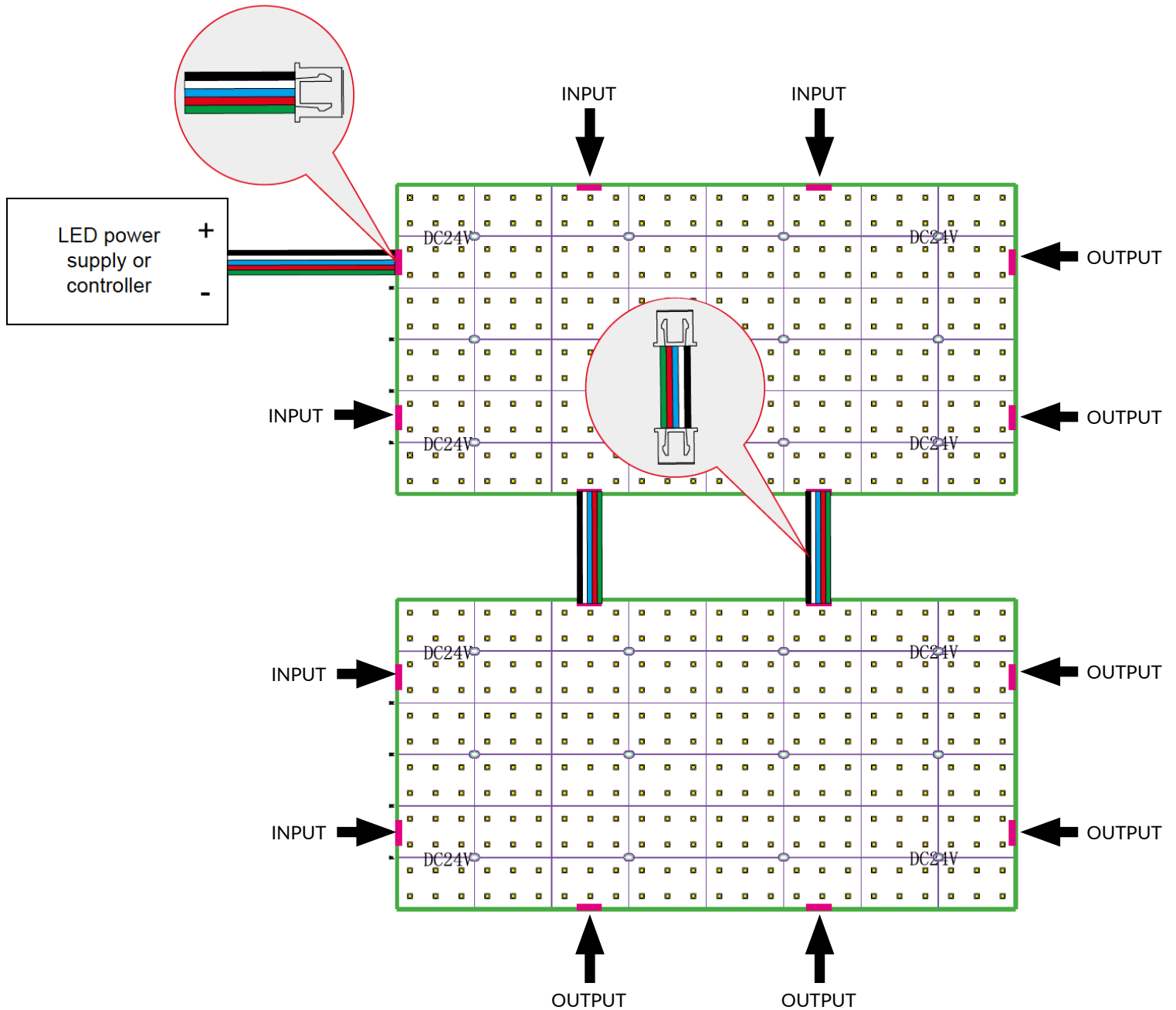


COLOR CHANGING FLEX SHEET

RGBW / Flexible LED Sheet / 24V

WIRING DIAGRAM

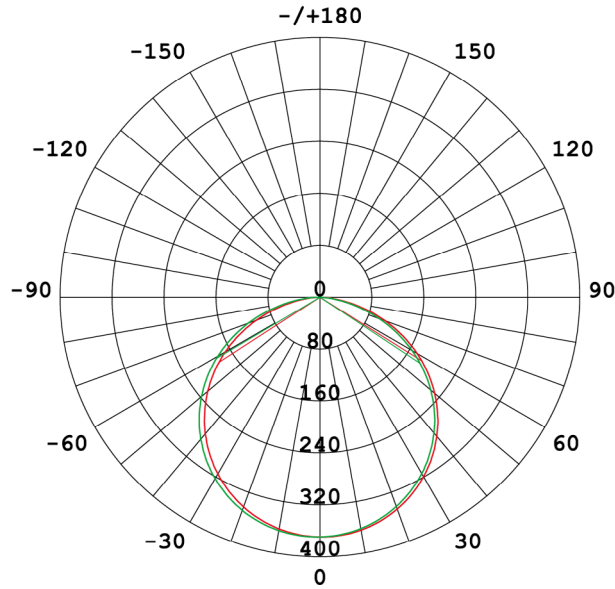
NOTE: Polarity is crucial for correct operation. Note the "input" and "output" labeling on each terminal before connecting.



COLOR CHANGING FLEX SHEET

RGBW / Flexible LED Sheet / 24V

PHOTOMETRY & TESTING



Unit: cd
 AVERAGE BEAM ANGLE(50%): 120.5°
 — C0/180,120.6°
 — C90/270,120.4°

Flux Out: 798.0lm

Height	Eavg, Emax	Beam Angle: 120.00°	Diameter
1cm	846664,4418079lx		3.46cm
2cm	211666,1104520lx		6.93cm
3cm	94074,490898lx		10.39cm
4cm	52917,276130lx		13.86cm
5cm	33867,176723lx		17.32cm
6cm	23518,122724lx		20.78cm
7cm	17279,90165lx		24.25cm
8cm	13229,69032lx		27.71cm
9cm	10453,54544lx		31.18cm
10cm	8467,44181lx		34.46cm

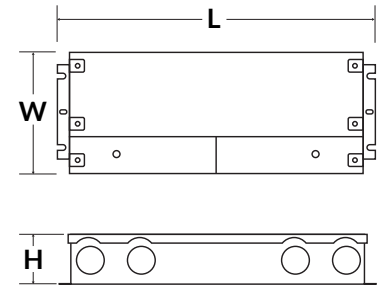
COLOR CHANGING FLEX SHEET

RGBW / Flexible LED Sheet / 24V

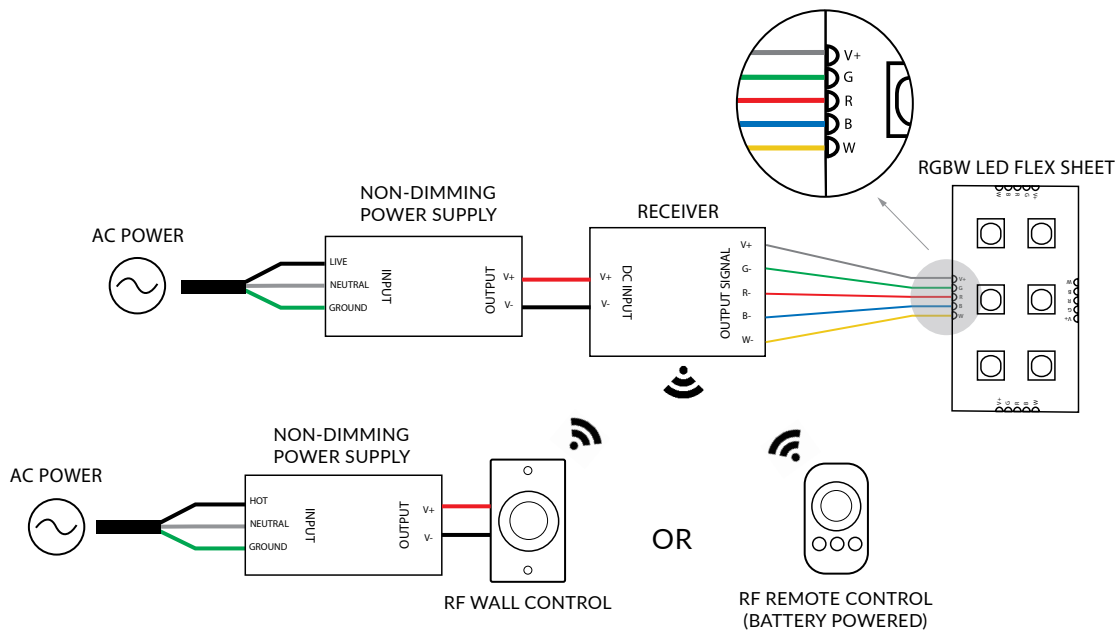
POWER SUPPLY (SOLD SEPARATELY)

NON-DIMMABLE ELECTRONIC 

PART NUMBER	CAPACITY	INPUT	OUTPUT	CLASS	LOCATION	L	W	H
LLI-PS-NDE-030W-24V-KO	30W	100-277V	24V	CLASS 2	IP66 WET	6.5"	3.5"	1.02"
LLI-PS-NDE-060W-24V-KO	60W	100-277V	24V	CLASS 2	IP66 WET	7.4"	3.5"	1.2"
LLI-PS-NDE-096W-24V-KO	96W	100-277V	24V	CLASS 2	IP66 WET	8.7"	3.7"	1.7"
LLI-PS-NDE-200W-24V-KO	200W	100-277V	24V	CLASS 1	IP66 WET	10.3"	4.1"	1.8"
LLI-PS-NDE-300W-24V-KO	300W	100-277V	24V	CLASS 1	IP66 WET	10.9"	4.3"	1.8"



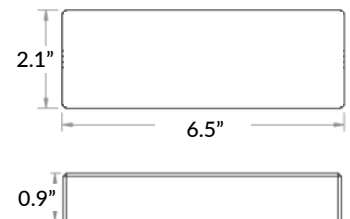
EXAMPLE WIRING DIAGRAM - RF CONTROLLED



RF RECEIVER (SOLD SEPARATELY)

LLI-C-RCV-UR-RF-4CH

CONTROLLER COMPATIBILITY	Compatible with all RF LLI-C-CTRL controllers.
LED COMPATIBILITY	Static Color, Tunable White & RGB(W) LEDs
CHANNELS	4 Channel, 8 Amp
INPUT VOLTAGE	12V / 24V (power supply not included)
CAPACITY	12V - 96W, 24V - 192W
FEATURES	Can be controlled by up to (8) controllers Can be synchronized with unlimited receivers up to 320ft away



COLOR CHANGING FLEX SHEET

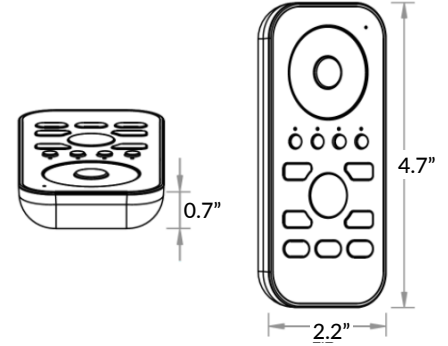
RGBW / Flexible LED Sheet / 24V

RF CONTROLLERS (SOLD SEPARATELY)

REMOTE CONTROLLER

LLI-C-CTRL-RGBW-HH

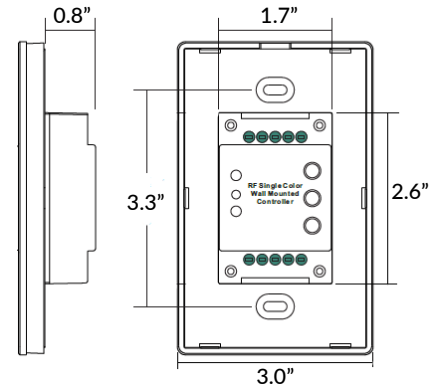
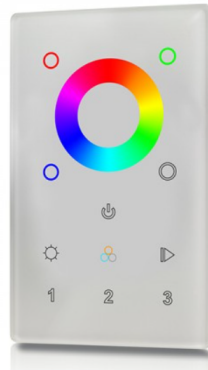
RECEIVER COMPATIBILITY	Compatible with Universal RF receivers
LED COMPATIBILITY	RGB(W) LEDs
INPUT VOLTAGE	Battery operated (3 AAA batteries not included)
FEATURES	<ul style="list-style-type: none"> Programmable up to 4 zones, 3 scenes Color adjustment Light intensity adjustment



TOUCH PANEL WALL CONTROLLER

LLI-C-CTRL-RGBW-TP-WH

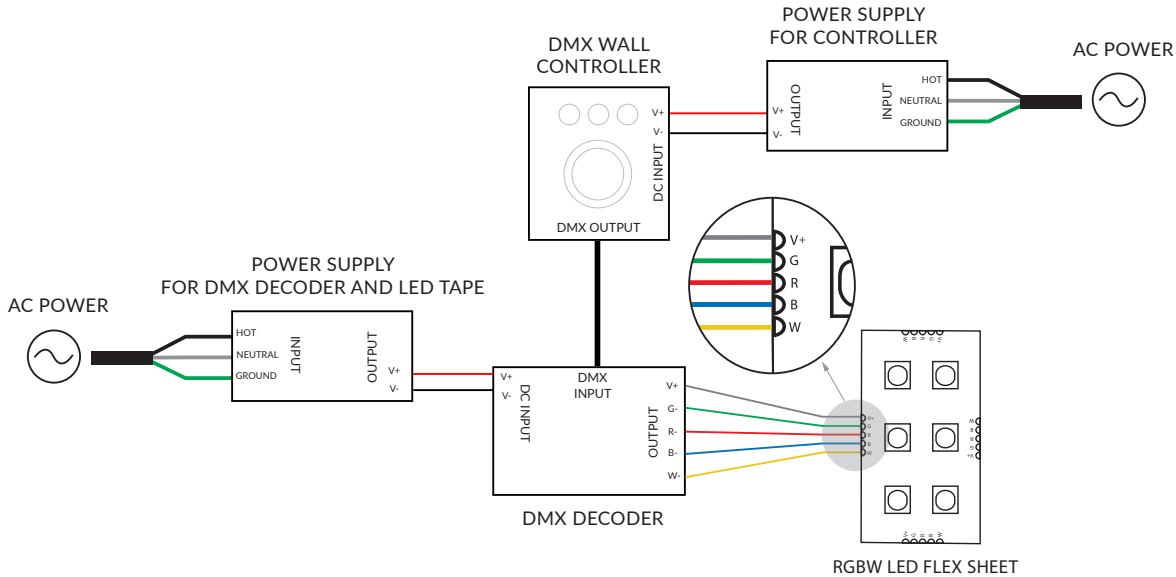
RECEIVER COMPATIBILITY	Compatible with Universal RF receivers
LED COMPATIBILITY	RGB(W) LEDs
INPUT VOLTAGE	12V DC power supply required (not included)
FEATURES	<ul style="list-style-type: none"> Control range \geq 65ft Programmable up to 3 scenes 4 color presets Color adjustment Light intensity adjustment



COLOR CHANGING FLEX SHEET

RGBW / Flexible LED Sheet / 24V

EXAMPLE WIRING DIAGRAM - DMX CONTROLLED

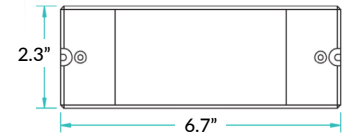
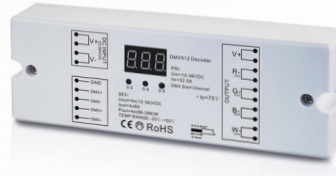


DMX DECODERS (SOLD SEPARATELY)

DMX512 DECODER

LLI-C-DEC-DMX512-8A

LOCATION RATING	Indoor only
FUNCTION	Static color, tunable white, RGB(W) LEDs
CHANNELS	4 channel output, 8 Amp maximum 512 addressable DMX channels
CAPACITY	12V - 96W maximum
	24V - 192W maximum
COMPATIBILITY	Compatible with LLI-C-CTRL-DMX controllers



POWER

Power supply not included. 12V/24V non-dimming power supply required.



RDM DMX512 DECODER

LLI-C-DEC-DMX512-8A-RDM

OUTPUT	8A maximum, 4 channels
LOCATION RATING	Indoor only
FUNCTION	RDM communication and PWM dimming for static white, static color, tunable white, and RGB(W) LEDs
CHANNELS	4 channel output, 8 Amp maximum 512 addressable DMX channels
CAPACITY	12V - 96W maximum
	24V - 192W maximum
COMPATIBILITY	Compatible with LLI-C-CTRL-DMX controllers

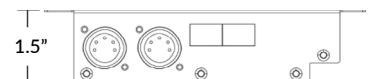
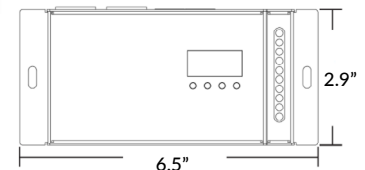


FEATURES

Can be controlled by up to eight (8) controllers. Can be synchronized with twenty (20) decoders.

POWER

Power supply not included. 12V/24V non-dimming power supply required.



COLOR CHANGING FLEX SHEET

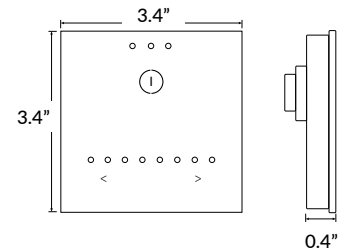
RGBW / Flexible LED Sheet / 24V

DMX WALL CONTROLLERS (SOLD SEPARATELY)

STAND ALONE DMX WALL CONTROLLER, GU2

LLI-C-CTRL-DMX-STICK-GU2

INCLUDED IN PACKAGE	Controller, CD-ROM, USB cable, connector block, power supply
OS/COMPUTER REQUIREMENTS	Mac OSx 10.6 or higher / Windows XP or higher, USB 2.0 port
PROGRAM SOFTWARE	Easy Stand Alone, ESA2 (included)
CONNECTIONS	Power (2 pins), DMX (3 pins), Port (2 pins), Micro-USB Port
MOUNTING	Single or double gang wall box
IP RATING	IP20 - dry locations only



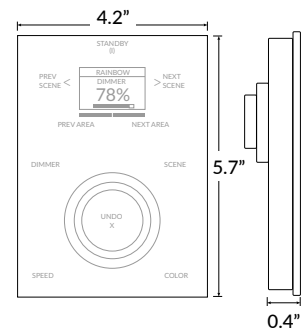
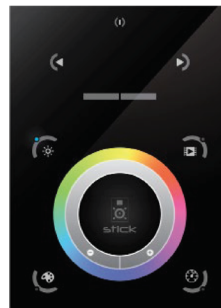
FEATURES

- Up to 24 dynamic or static scenes
- Wall mounted control panel with glass face, touch-sensitive buttons
- Programmable with included USB cable and software – no Ethernet or WiFi required

STAND ALONE DMX WALL CONTROLLER, DE3

LLI-C-CTRL-DMX-STICK-DE3

INCLUDED IN PACKAGE	Controller, connector block, power supply
OS/COMPUTER REQUIREMENTS	Mac OSx 10.6 or higher / Windows XP or higher / iOS phone or tablet / Android phone or tablet
PROGRAM SOFTWARE	Easy Stand Alone, ESA2 (Mac/Windows) DMX Lightpad 3 App (iOS/Android) Easy Remote App (iOS/Android)
CONNECTIONS	Power/DMX - screw terminal and RJ45 compatible Memory - MicroSD slot Programming - MicroUSB port
POWER SUPPLY	6VDC power supply (included)
MEMORY	MicroSD card (not included)
MOUNTING	Single or double gang wall box
IP RATING	IP20 - dry locations only



FEATURES

- Multi-zone microSD memory
- Multi-room control with 500 scenes, 10 zones
- Integrated clock and calendar for scheduling events
- Touch-sensitive buttons
- USB and Ethernet connectivity for programming
- Windows/Mac software for programming dynamic effects
- iPhone/iPad/Android apps for remote control and program

COLOR CHANGING FLEX SHEET

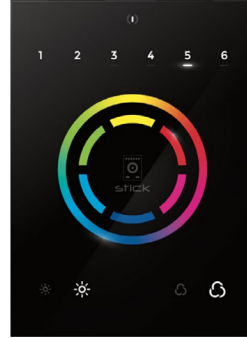
RGBW / Flexible LED Sheet / 24V

DMX WALL CONTROLLERS (SOLD SEPARATELY)

STAND ALONE DMX WALL CONTROLLER, CW4

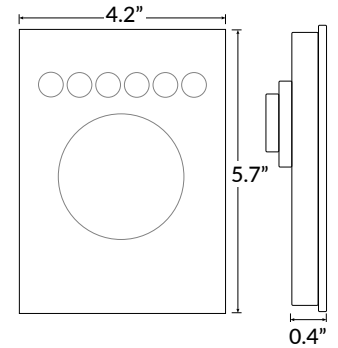
LLI-C-CTRL-DMX-STICK-CW4	FINISH
	BL Black glass
	WH White glass

INCLUDED IN PACKAGE	Controller, connector block, power supply, mini-USB cable, ESA2 software, ESA Pro2 Software
OS/COMPUTER REQUIREMENTS	Mac OSx 10.6 or higher / Windows XP or higher
PROGRAM SOFTWARE	Easy Stand Alone, ESA2 (Mac/Windows)
CONNECTIONS	Power/DMX - screw terminal and RJ45 Programming - miniUSB port
POWER SUPPLY	Requires 5-10VDC 0.6A power supply (included)
MEMORY	Integrated flash memory
MOUNTING	Single or double gang wall box
IP RATING	IP20 - dry locations only



FEATURES

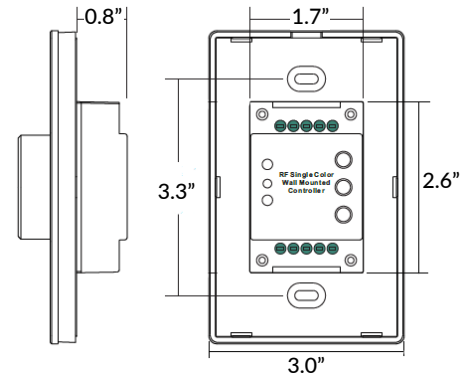
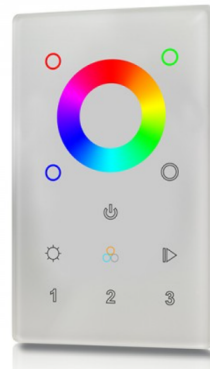
- Can be controlled directly from a computer, smartphone, or tablet
- Touch-sensitive buttons, glass face
- Up to 36 dynamic or static scenes
- 8 port triggers
- 1024 DMX channels control up to 340 RGB fixtures
- Windows/Mac software for programming dynamic effects
- Internal clock and calendar with sunrise/sunset triggering



TOUCH PANEL DMX WALL CONTROLLER

LLI-C-CTRL-DMX-RGBW-TP

LED TAPE COMPATIBILITY	Compatible with 12-24V DC LED tapes
PROTOCOL	DMX512
ZONES	3 zones
INTERFACE	Glass touch control
WARRANTY	5 year limited



POWER

Power supply for controller not included.
12V DC power supply required.