



INSTALLATION INSTRUCTIONS GRIPPER CONNECTOR

LLI-GC-LL-RGB
LLI-GC-LW-RGB
LLI-GC-LL-RGBW (12mm only)
LLI-GC-LW-RGBW (12mm only)
LLI-GC-LL-SC
LLI-GC-LW-SC



DANGER: Prior to installation, disconnect power at the source.

Make sure you have all components listed below:

- LED tape
- Gripper connectors
- 18-22 AWG wire (if using wire connectors)

INSTALLATION INSTRUCTIONS

GRIPPER CONNECTORS

Please read all steps before beginning the installation.

- These products may represent a potential shock or fire hazard if improperly installed or attached in any way. Products should be installed in accordance with these instructions, local electrical codes and the National Electric Code (NEC).
- Gripper connectors are intended for indoor use in dry or damp locations.
- Do not submerge connectors or expose to harsh environments.
- Do not use if there is any damage to the unit or to the wiring/insulation. Inspect periodically.
- Do not route wires through walls, doors, windows or any similar part of a building structure.
- Do not secure the connectors or the LED tape with staples, nails, or any other sharp objects that may cause damage. Mounting adhesive is available (sold separately).
- Do not install LED tape or connectors closer than 6" to combustible material.
- Ensure proper gauge wires are installed between connectors and LED tape to avoid voltage drop.

INSTALLATION INSTRUCTIONS

GRIPPER CONNECTORS

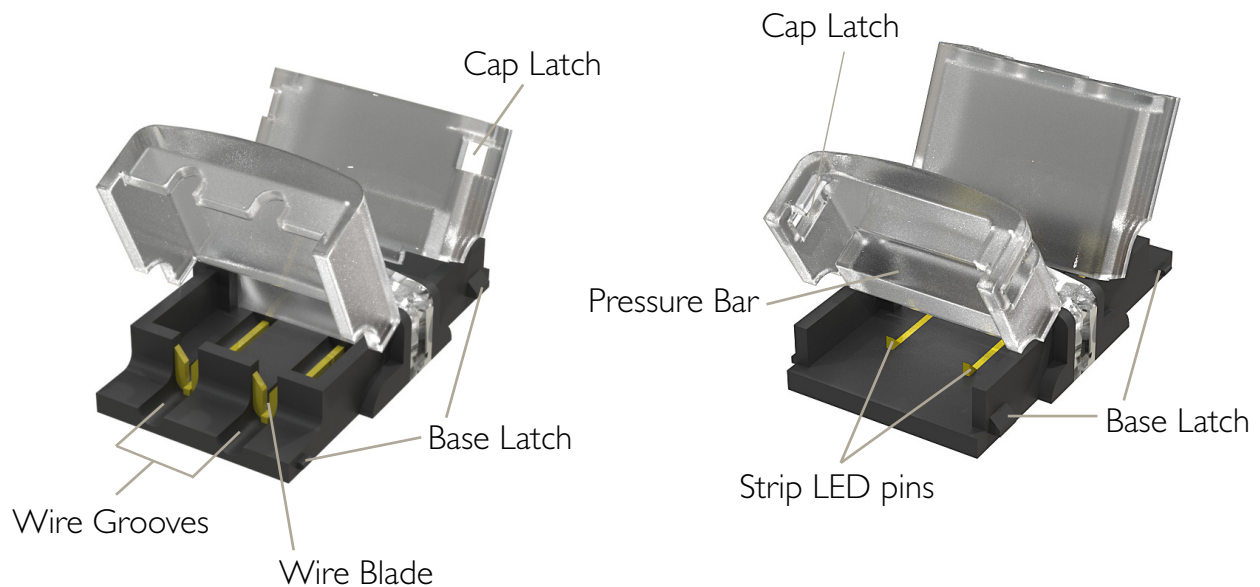
Prior to Installation

NOTE: Ensure the LED strip fits into the connector. Check to make sure the number/location of pins on connector match the number/location of solder pads on the LED strip.

NOTE: Can be used with dry location and resin dipped LED strip types. Do not use connectors with solid silicone and silicone covered LED strip types.

NOTE: Ensure wire gauge is between 18 AWG and 22 AWG.

Gripper Connector Diagram



Wire Connection

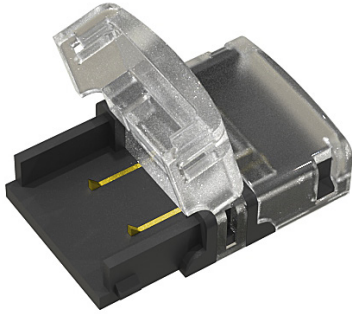
LED Strip Connection

INSTALLATION INSTRUCTIONS

GRIPPER CONNECTORS

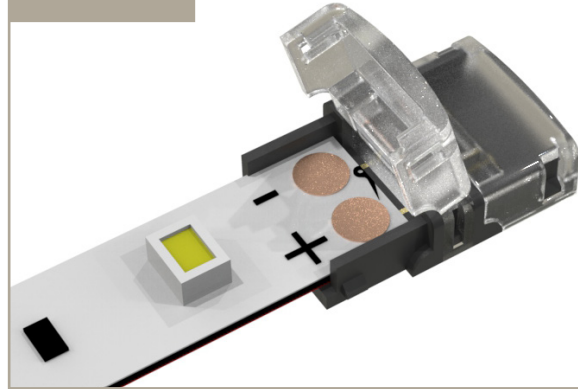
Attaching LED Strip to Connector

STEP 1



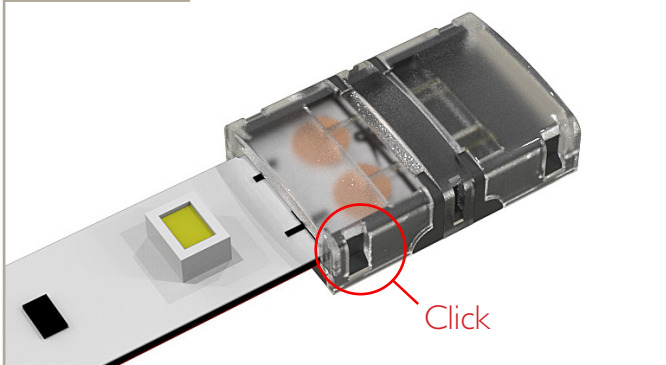
Open cap of connector exposing LED strip light connection pins.

STEP 2



Insert LED strip into connector until fully seated against the back of the connector block.

STEP 3



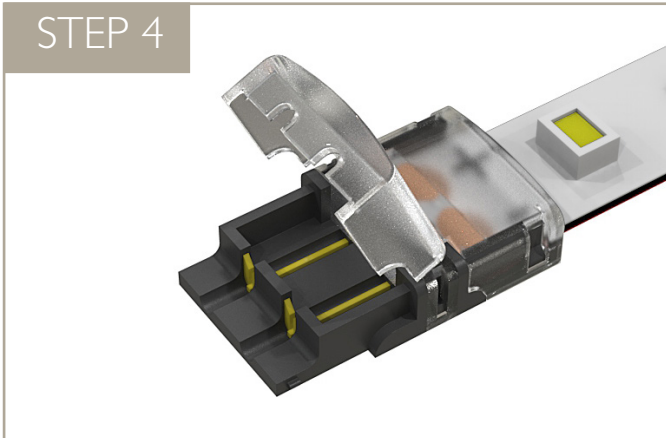
Press connector cap down to lock in place. If cap interferes with LED, back out LED strip slightly and close cap. If necessary use pliers to close cap. Ensure cap snaps closed over base latch.

INSTALLATION INSTRUCTIONS

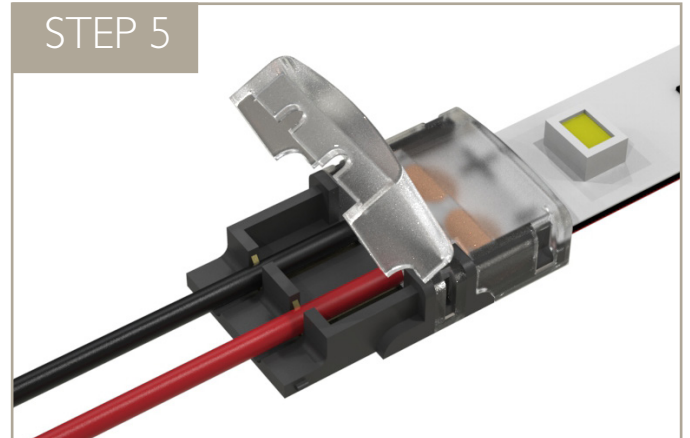
GRIPPER CONNECTORS

Attaching Wire to Connector

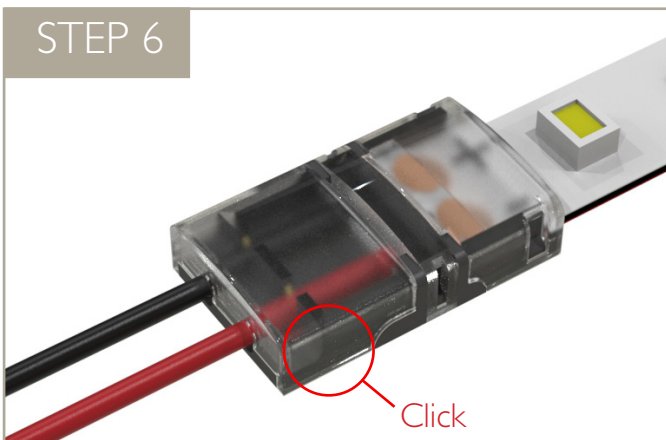
NOTE: It is not necessary to strip wires.



Open cap of connector and expose the wire blades.



Insert the wires into connector until fully seated against the back of the connector block. Ensure the wire polarity matches that of the LED strip.



Press connector cap down to lock in place. If necessary use pliers to close cap. Ensure cap snaps closed over base latch.

INSTALLATION INSTRUCTIONS

GRIPPER CONNECTORS

Low Voltage Wire Gauge Chart

24V DC Voltage Drop and Wire Length (ft.) Distance Chart

Power (W)		10W	20W	30W	40W	50W	60W	70W	80W	90W	100W	110W	120W
Wire Gauge	#18	189'	94'	63'	47'	38'	31'	27'	24'	21'	19'	17'	16'
	#16	300'	149'	100'	76'	60'	50'	43'	37'	33'	30'	27'	25'
	#14	478'	238'	159'	120'	95'	79'	68'	60'	53'	48'	43'	40'
	#12	753'	274'	250'	189'	150'	125'	108'	94'	83'	75'	68'	63'
	#10	1205'	599'	400'	303'	240'	200'	172'	150'	133'	120'	109'	100'