

SAFETY INFORMATION

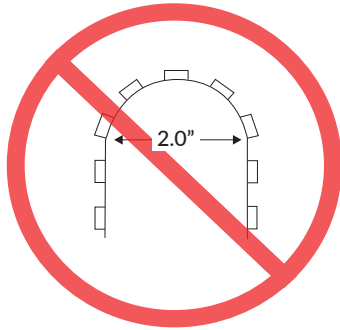
- Read complete instruction.
- DANGER, RISK OF SHOCK: Prior to installation, disconnect power at the source.
- These products may represent a potential shock or fire hazard if improperly installed or attached in any way. Products should be installed in accordance with these instructions, local electrical codes and the National Electric Code (NEC).
- Do not energize LED tapelight when rolled up in its spool.
- Do not use if there is any damage to the unit or to the wiring/insulation. Inspect periodically.
- Do not route cords or LED tapelight through walls, doors, windows or any similar part of a building structure.
- Do not secure LED tapelight or its power cord with staples, nails, or any other sharp objects that may cause damage. Mounting clips are available (sold separately).
- Do not install LED tapelight closer than 6" to combustible material.
- Ensure applicable wires are in compliance with local codes (In-wall rated, wet-location, high temperature, etc.).
- Ensure proper gauge wires are installed between Power Supplies, Controls & LED tapelight to avoid voltage drop.
- Recommended load for power supplies is 80%.

✓ required components to complete installation

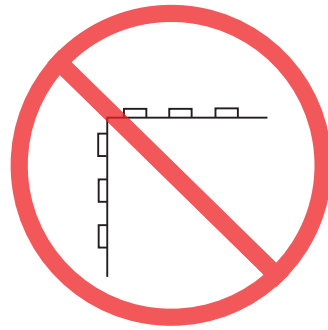
- LED Tapelight
- Mounting clips (sold separate)
- Extrusion / Lens (if applicable)



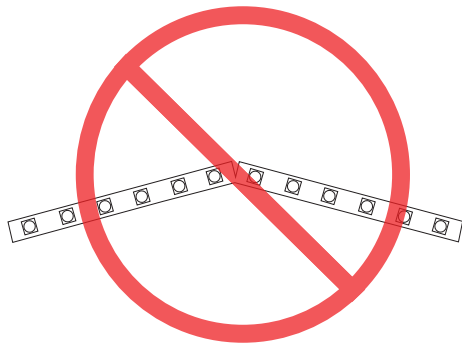
Tapelight DO-NOT basics



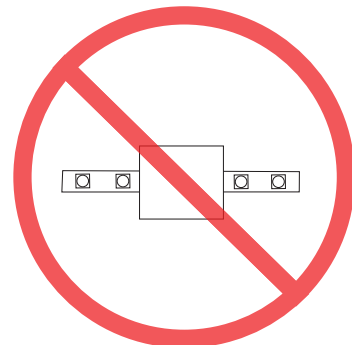
2.0" MINIMUM BEND RADIUS



DO NOT FOLD OR CREASE
LED TAPELIGHT



DO NOT BEND LED
TAPELIGHT SIDE TO SIDE



DO NOT COVER LED
TAPELIGHT OR APPLY EXCESS
PRESSURE TO LED TAPE



Install the Tapelight using mounting clips

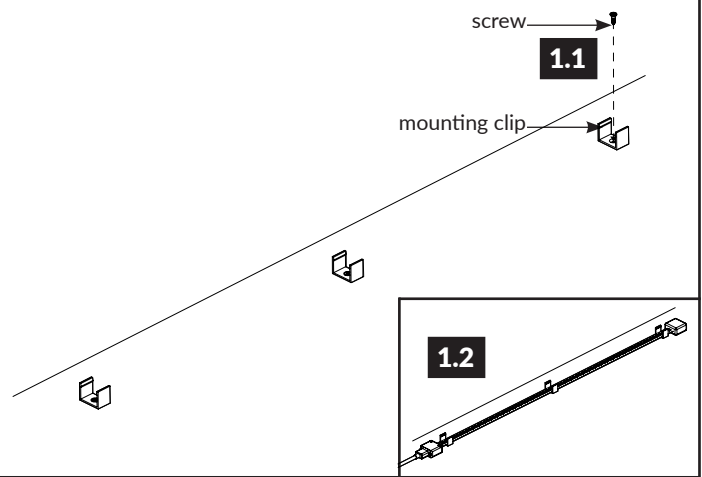
1

INSTALLATION NOTES:

- Review all parts and quantities to confirm if all the necessary parts are available.
- Mounting clips are needed every 12", to be secured in properly.

1.1 Align the mounting clips to the surface and secure using the appropriate hardware.

1.2 Insert the Tapelight into the mounting clips to secure.



Install the Tapelight using an Extrusion

1

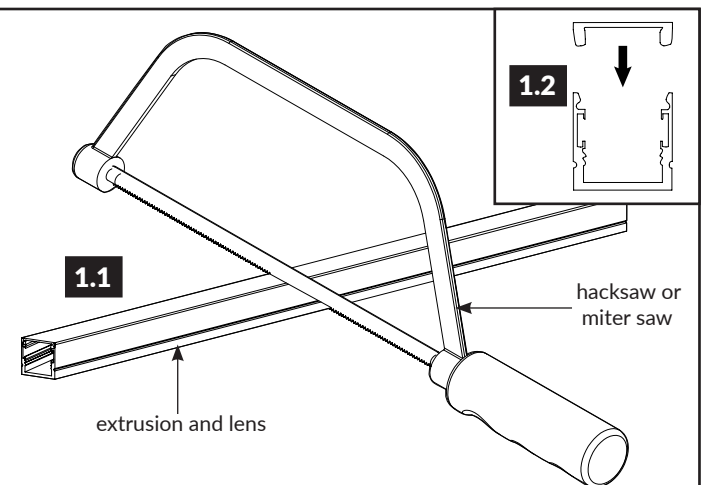
INSTALLATION NOTES:

- Review all parts and quantities to confirm if all necessary parts are available.

CAUTION: Use proper safety equipment when making any modification to parts.

1.1 If necessary, extrusion and lens can be cut on-site, using the proper equipment that cuts aluminum. Carefully cut to the desired length followed by cleaning off any material left after the cut.

1.2 Remove the lens from inside the extrusion, followed by cleaning the inside of the extrusion from any debris.

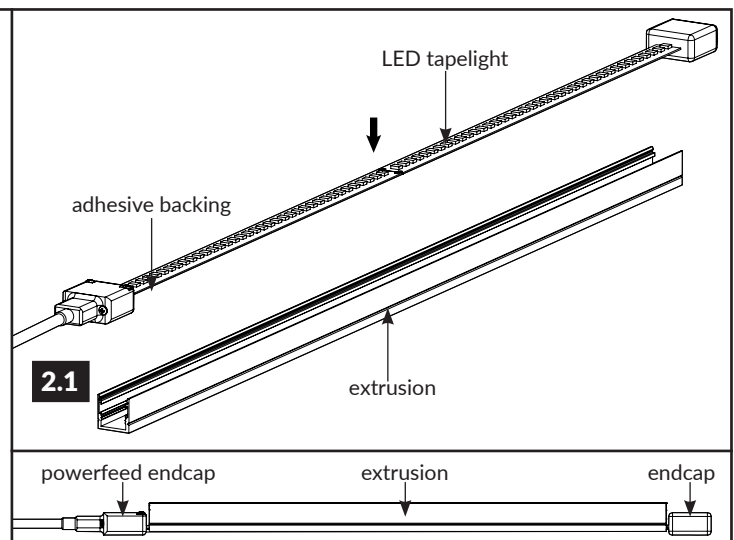


2

INSTALLATION NOTES:

- LED Tapelight endcap are installed outside the extrusion.

2.1 Press fit the LED tapelight into the extrusion base to secure into place.





Install the Tapelight using an Extrusion

3

INSTALLATION NOTES:

- Do not apply put too much pressure onto the LED endcaps.

3.1 Carefully snap the lens into the top of the extrusion. Then, slide the endcaps into the extrusion to secure.

4

INSTALLATION NOTES:

- Mounting clips are needed 1" from each end of the extrusion followed by one on center. If the extrusion is over 60", install mountings clips every 30".

4.1 Align the mounting clips to the surface and secure using the appropriate hardware.

4.2 Snap extrusion into the mounting clips to secure in place.

Typical Wiring Diagram

