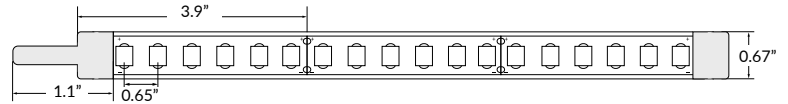


COLOR CHANGING RGB 4.4W LED TAPELIGHT - IP68

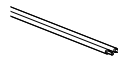


TECHNICAL INFORMATION

NOTE: All data has +/- 5% tolerance.

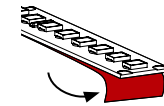
WATTAGE	4.4W per foot	
IP RATING	IP68 - wet locations. Protected against temporary submersion, limited protection against harsh environments.	
OUTPUT	RGB	107 lm/ft
	Red (620-625nm)	22 lm/ft
	Green (520-525nm)	82 lm/ft
	Blue (465-470nm)	16 lm/ft
INPUT VOLTAGE	24VDC	
OPERATING TEMP.	-13 ° to 140 ° F	
CUT LENGTH	Every 3.9", or every 6 LEDs	
MAXIMUM RUN	32 feet	
DIMENSIONS	0.67" W x 0.35" H (17mm x 9mm)	
ADHESIVE BACKING	Yes - VHB	
LIFESPAN	50,000 hrs	
WARRANTY	3 year limited	
POWER SUPPLY	Compatible with all non-dimmable 24VDC power supplies -- see page 3	

LEAD TYPES

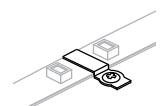


HARD WIRE, NO CONNECTOR - default (PWR)

MOUNTING



VHB ADHESIVE BACKING (included)



TAPE MOUNTING CLIP, WHITE (sold separately in packs of 10)
LLI-TAPE-CLIPS-WET-10MM

EXTRUSIONS



ARCHITECTURAL EXTRUSIONS (sold separately see website for all options, lialighting.com/product-category/extrusions/)

ORDERING GUIDE

← PRODUCT CODE					OPTIONAL CODE →	
SERIES	IP RATING	COLOR	VOLTAGE	LENGTH	POWER FEED	
LLI-LCC4.4W	- 68	- RGB	- 24V	-	LEAD TYPE	LEAD LENGTH
					Default [blank] - 48" hard wire end feed (PWR48)	
					PWR Hard wire (no connector)	Enter desired wire length in inches

(Enter length in inches, up to 384". Custom length only, reels not recommended.)

Example part number: LLI-LCC4.4W-68-RGB-24V-96in
Default 48in power wire (PWR48) included on all custom lengths. Use OPTIONAL section to specify other power feed(s).

COLOR CHANGING RGB 4.4W LED TAPELIGHT - IP68

OVERALL LENGTH / CUT POINT GUIDE

Measurements listed below include extra 1" length required for IP68 silicone endcaps and power feed.

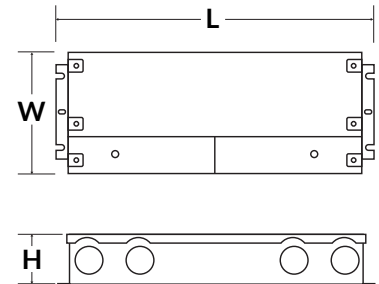
4.9"	8.9"	12.8"	16.7"	20.7"	24.6"	28.6"	32.5"	36.4"	40.4"	44.3"	48.2"
52.2"	56.1"	60.1"	64.0"	67.9"	71.9"	75.8"	79.7"	83.7"	87.6"	91.6"	95.5"
99.4"	103.4"	107.3"	111.2"	115.2"	119.1"	123.0"	127.0"	130.9"	134.9"	138.8"	142.7"
146.7"	150.6"	154.5"	158.5"	162.4"	166.4"	170.3"	174.2"	178.2"	182.1"	186.0"	190.0"
193.9"	197.9"	201.8"	205.7"	209.7"	213.6"	217.5"	221.5"	225.4"	229.3"	233.3"	237.2"
241.2"	245.1"	249.0"	253.0"	256.9"	260.8"	264.8"	268.7"	272.7"	276.6"	280.5"	284.5"
288.4"	292.3"	296.3"	300.2"	304.1"	308.1"	312.0"	316.0"	319.9"	323.8"	327.8"	331.7"
335.6"	339.6"	343.5"	347.5"	351.4"	355.3"	359.3"	363.2"	367.1"	371.1"	375.0"	379.0"
382.9"	386.8"										

COLOR CHANGING RGB 4.4W LED TAPELIGHT - IP68

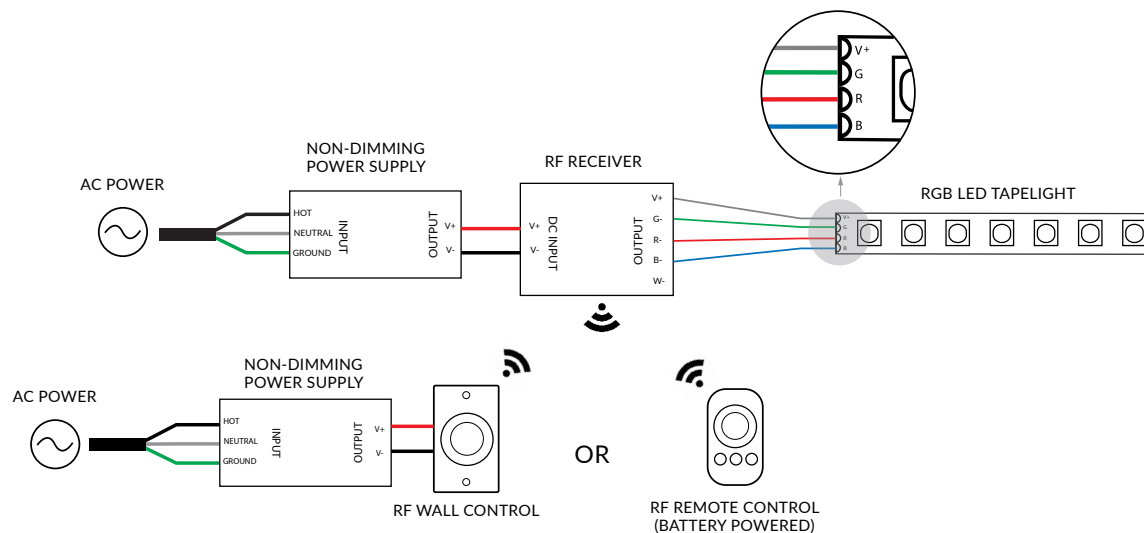
POWER SUPPLY (SOLD SEPARATELY)

NON-DIMMABLE ELECTRONIC 

PART NUMBER	CAPACITY	INPUT	OUTPUT	CLASS	LOCATION	L	W	H
LLI-PS-NDE-030W-24V-KO	30W	100-277V	24V	CLASS 2	IP66 WET	6.5"	3.5"	1.02"
LLI-PS-NDE-060W-24V-KO	60W	100-277V	24V	CLASS 2	IP66 WET	7.4"	3.5"	1.2"
LLI-PS-NDE-096W-24V-KO	96W	100-277V	24V	CLASS 2	IP66 WET	8.7"	3.7"	1.7"
LLI-PS-NDE-200W-24V-KO	200W	100-277V	24V	CLASS 1	IP66 WET	10.3"	4.1"	1.8"
LLI-PS-NDE-300W-24V-KO	300W	100-277V	24V	CLASS 1	IP66 WET	10.9"	4.3"	1.8"



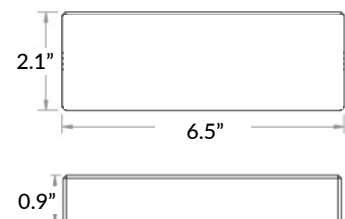
EXAMPLE WIRING DIAGRAM - RF CONTROLLED



RF RECEIVER (SOLD SEPARATELY)

LLI-C-RCV-UR-RF-4CH

CONTROLLER COMPATIBILITY	Compatible with all RF LLI-C-CTRL controllers.
LED COMPATIBILITY	Static Color, Tunable White & RGB(W) LEDs
CHANNELS	4 Channel, 8 Amp
INPUT VOLTAGE	12V / 24V (power supply not included)
CAPACITY	12V - 96W, 24V - 192W
FEATURES	Can be controlled by up to (8) controllers Can be synchronized with unlimited receivers up to 320ft away



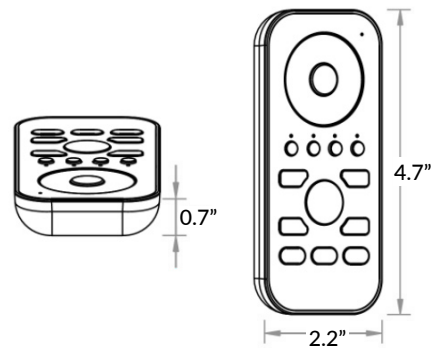
COLOR CHANGING RGB 4.4W LED TAPELIGHT - IP68

RF CONTROLLERS (SOLD SEPARATELY)

REMOTE CONTROLLER

LLI-C-CTRL-RGBW-HH

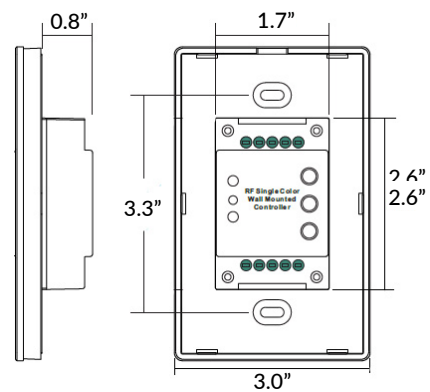
RECEIVER COMPATIBILITY	Compatible with Universal RF receivers
LED COMPATIBILITY	RGB(W) LEDs
INPUT VOLTAGE	Battery operated (3 AAA batteries not included)
FEATURES	Programmable up to 4 zones, 3 scenes Color adjustment Light intensity adjustment



TOUCH PANEL WALL CONTROLLER

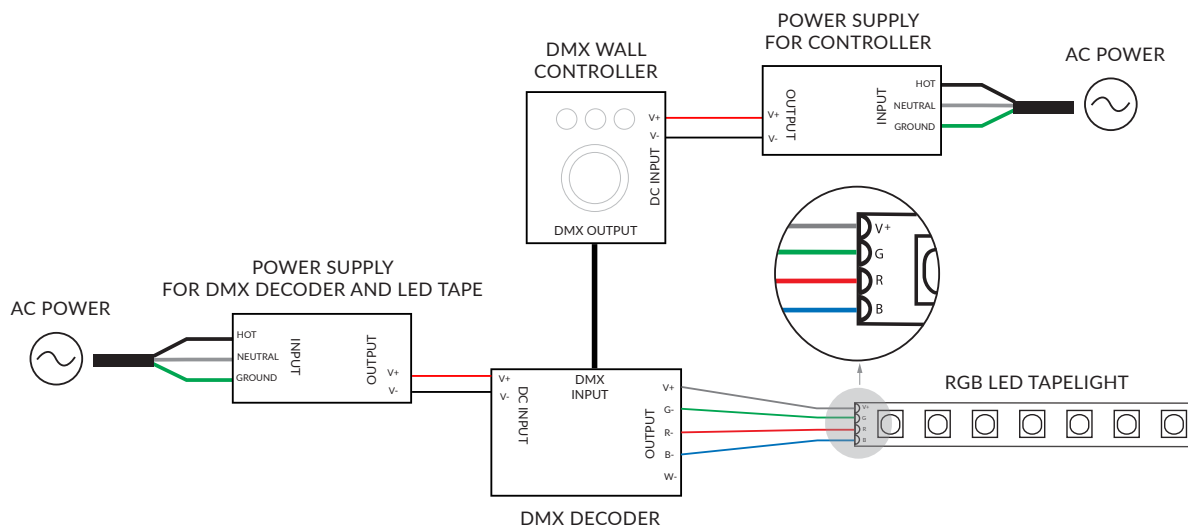
LLI-C-CTRL-RGBW-TP-WH

RECEIVER COMPATIBILITY	Compatible with Universal RF receivers
LED COMPATIBILITY	RGB(W) LEDs
INPUT VOLTAGE	12V DC power supply required (not included)
FEATURES	Control range \geq 65ft Programmable up to 3 scenes 4 color presets Color adjustment Light intensity adjustment



COLOR CHANGING RGB 4.4W LED TAPELIGHT - IP68

EXAMPLE WIRING DIAGRAM - DMX CONTROLLED

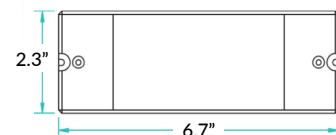


DMX DECODERS (SOLD SEPARATELY)

DMX512 DECODER

LLI-C-DEC-DMX512-8A

LOCATION RATING	Indoor only
FUNCTION	Static color, tunable white, RGB(W) LEDs
CHANNELS	4 channel output, 8 Amp maximum 512 addressable DMX channels
CAPACITY	12V - 96W maximum 24V - 192W maximum
COMPATIBILITY	Compatible with LLI-C-CTRL-DMX controllers



POWER

Power supply not included. 12V/24V non-dimming power supply required.

RDM DMX512 DECODER

LLI-C-DEC-DMX512-8A-RDM

OUTPUT	8A maximum, 4 channels
LOCATION RATING	Indoor only
FUNCTION	RDM communication and PWM dimming for static white, static color, tunable white, and RGB(W) LEDs
CHANNELS	4 channel output, 8 Amp maximum 512 addressable DMX channels
CAPACITY	12V - 96W maximum 24V - 192W maximum
COMPATIBILITY	Compatible with LLI-C-CTRL-DMX controllers

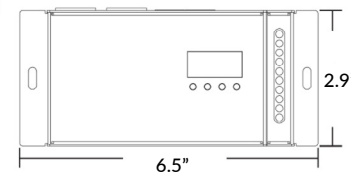


FEATURES

Can be controlled by up to eight (8) controllers. Can be synchronized with twenty (20) decoders.

POWER

Power supply not included. 12V/24V non-dimming power supply required.



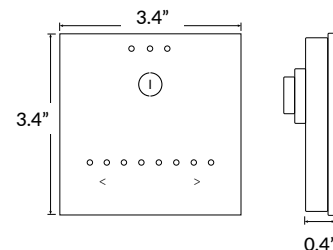
COLOR CHANGING RGB 4.4W LED TAPELIGHT - IP68

DMX WALL CONTROLLERS (SOLD SEPARATELY)

STAND ALONE DMX WALL CONTROLLER, GU2

LLI-C-CTRL-DMX-STICK-GU2

INCLUDED IN PACKAGE	Controller, CD-ROM, USB cable, connector block, power supply
OS/COMPUTER REQUIREMENTS	Mac OSx 10.6 or higher / Windows XP or higher, USB 2.0 port
PROGRAM SOFTWARE	Easy Stand Alone, ESA2 (included)
CONNECTIONS	Power (2 pins), DMX (3 pins), Port (2 pins), Micro-USB Port
MOUNTING	Single or double gang wall box
IP RATING	IP20 - dry locations only



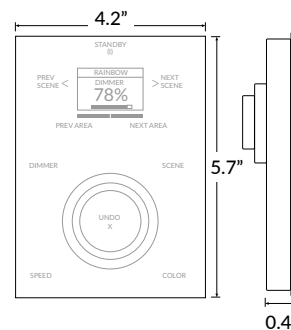
FEATURES

- Up to 24 dynamic or static scenes
- Wall mounted control panel with glass face, touch-sensitive buttons
- Programmable with included USB cable and software – no Ethernet or WiFi required

STAND ALONE DMX WALL CONTROLLER, DE3

LLI-C-CTRL-DMX-STICK-DE3

INCLUDED IN PACKAGE	Controller, connector block, power supply
OS/COMPUTER REQUIREMENTS	Mac OSx 10.6 or higher / Windows XP or higher / iOS phone or tablet / Android phone or tablet
PROGRAM SOFTWARE	Easy Stand Alone, ESA2 (Mac/Windows) DMX Lightpad 3 App (iOS/Android) Easy Remote App (iOS/Android)
CONNECTIONS	Power/DMX - screw terminal and RJ45 compatible Memory - MicroSD slot Programming - MicroUSB port
POWER SUPPLY	6VDC power supply (included)
MEMORY	MicroSD card (not included)
MOUNTING	Single or double gang wall box
IP RATING	IP20 - dry locations only



FEATURES

- Multi-zone microSD memory
- Multi-room control with 500 scenes, 10 zones
- Integrated clock and calendar for scheduling events
- Touch-sensitive buttons
- USB and Ethernet connectivity for programming
- Windows/Mac software for programming dynamic effects
- iPhone/iPad/Android apps for remote control and program

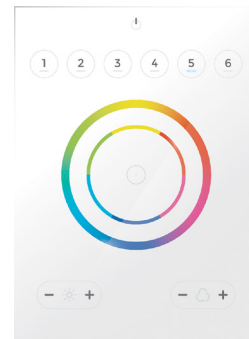
COLOR CHANGING RGB 4.4W LED TAPELIGHT - IP68

DMX WALL CONTROLLERS (SOLD SEPARATELY)

STAND ALONE DMX WALL CONTROLLER, CW4

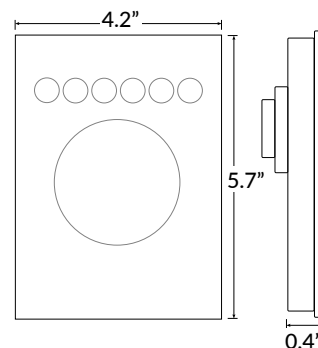
LLI-C-CTRL-DMX-STICK-CW4	-	
		FINISH
		BL Black glass WH White glass

INCLUDED IN PACKAGE	Controller, connector block, power supply, mini-USB cable, ESA2 software, ESA Pro2 Software
OS/COMPUTER REQUIREMENTS	Mac OSx 10.6 or higher / Windows XP or higher
PROGRAM SOFTWARE	Easy Stand Alone, ESA2 (Mac/Windows)
CONNECTIONS	Power/DMX - screw terminal and RJ45 Programming - miniUSB port
POWER SUPPLY	Requires 5-10VDC 0.6A power supply (included)
MEMORY	Integrated flash memory
MOUNTING	Single or double gang wall box
IP RATING	IP20 - dry locations only



FEATURES

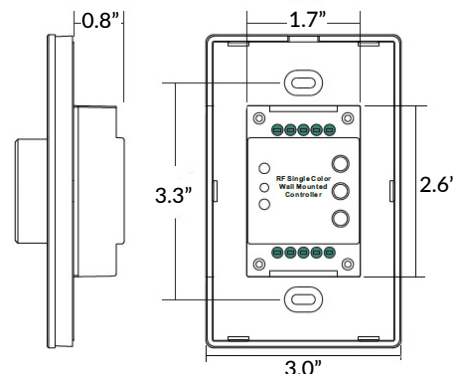
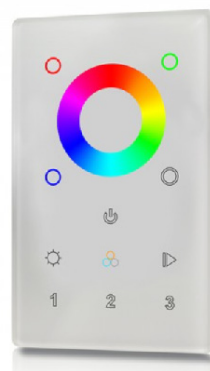
- Can be controlled directly from a computer, smartphone, or tablet
- Touch-sensitive buttons, glass face
- Up to 36 dynamic or static scenes
- 8 port triggers
- 1024 DMX channels control up to 340 RGB fixtures
- Windows/Mac software for programming dynamic effects
- Internal clock and calendar with sunrise/sunset triggering



TOUCH PANEL DMX WALL CONTROLLER

LLI-C-CTRL-DMX-RGBW-TP

LED TAPE COMPATIBILITY	Compatible with 12-24V DC LED tapes
PROTOCOL	DMX512
ZONES	3 zones
INTERFACE	Glass touch control
WARRANTY	5 year limited



POWER

Power supply for controller not included.
12V DC power supply required.