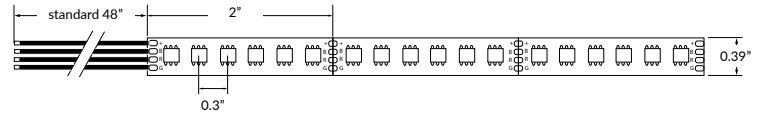


# TIGHT PITCH COLOR CHANGING 4.4W LED TAPELIGHT - IP65

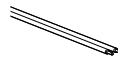


## TECHNICAL INFORMATION

NOTE: All data has +/- 5% tolerance.

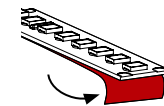
|                  |   |
|------------------|---|
| WATTAGE          | 4.4W per foot   |
| IP RATING        | IP65 - wet locations. Not suitable for submersion, limited protection against harsh environments.             |
| OUTPUT           | RGB - 155 lm/ft<br>Red (620-627nm) - 32 lm/ft<br>Green (525-530nm) - 121 lm/ft<br>Blue (470-475nm) - 24 lm/ft |
| INPUT VOLTAGE    | 24VDC   |
| CUT LENGTH       | Every 2", or every 6 LEDs   |
| MAXIMUM RUN      | 16 feet   |
| DIMENSIONS       | 0.39" W x 0.08" H (10mm x 2.0mm)  |
| ADHESIVE BACKING | Yes - VHB   |
| LIFESPAN         | 50,000 hrs  |
| WARRANTY         | 5 year limited  |
| POWER SUPPLY     | Compatible with all 24VDC power supplies -- see power supply section of website                               |

### LEAD TYPES

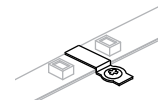


HARD WIRE, NO CONNECTOR - default (PWR)

### MOUNTING



VHB ADHESIVE BACKING (included)



TAPE MOUNTING CLIP, WHITE (sold separately in packs of 10) LLI-TAPE-CLIPS-WET-10MM

### EXTRUSIONS



ARCHITECTURAL EXTRUSIONS (sold separately see website for all options, [lialighting.com/product-category/extrusions/](http://lialighting.com/product-category/extrusions/))

## ORDERING GUIDE

| ← PRODUCT CODE |           |       |         |                                      | OPTIONAL CODE →                                  |                                     |
|----------------|-----------|-------|---------|--------------------------------------|--|-------------------------------------|
| SERIES         | IP RATING | COLOR | VOLTAGE | LENGTH                               | POWER FEED                                       |                                     |
| LLI-LTPCC4.4W  | 65        | RGB   | 24V     | <input type="text"/>                 | LEAD TYPE  | LEAD LENGTH                         |
|                |           |       |         | (enter length in inches, up to 192") | <input type="text"/>                             | <input type="text"/>                |
|                |           |       |         |                                      | Default [blank] - 48" hard wire end feed (PWR48) |                                     |
|                |           |       |         |                                      | PWR Hard wire (no connector)                     | Enter desired wire length in inches |

Example part number: LLI-LTPCC4.4W-65-RGB-24V-96in  
 Default 48in power wire (PWR48) included on all custom lengths. Use OPTIONAL section to specify other power feed(s).

# TIGHT PITCH COLOR CHANGING 4.4W LED TAPELIGHT - IP65

## OVERALL LENGTH / CUT POINT GUIDE

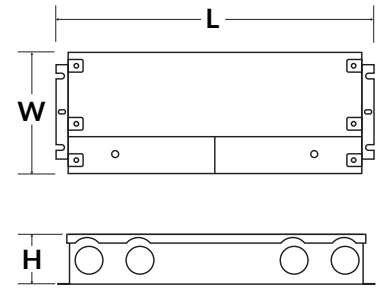
|        |        |        |        |        |        |        |        |        |        |        |        |
|--------|--------|--------|--------|--------|--------|--------|--------|--------|--------|--------|--------|
| 2.0"   | 3.9"   | 5.9"   | 7.9"   | 9.8"   | 11.8"  | 13.8"  | 15.7"  | 17.7"  | 19.7"  | 21.7"  | 23.6"  |
| 25.6"  | 27.6"  | 29.5"  | 31.5"  | 33.5"  | 35.4"  | 37.4"  | 39.4"  | 41.3"  | 43.3"  | 45.3"  | 47.2"  |
| 49.2"  | 51.2"  | 53.1"  | 55.1"  | 57.1"  | 59.1"  | 61.0"  | 63.0"  | 65.0"  | 66.9"  | 68.9"  | 70.9"  |
| 72.8"  | 74.8"  | 76.8"  | 78.7"  | 80.7"  | 82.7"  | 84.6"  | 86.6"  | 88.6"  | 90.6"  | 92.5"  | 94.5"  |
| 96.5"  | 98.4"  | 100.4" | 102.4" | 104.3" | 106.3" | 108.3" | 110.2" | 112.2" | 114.2" | 116.1" | 118.1" |
| 120.1" | 122.0" | 124.0" | 126.0" | 128.0" | 129.9" | 131.9" | 133.9" | 135.8" | 137.8" | 139.8" | 141.7" |
| 143.7" | 145.7" | 147.6" | 149.6" | 151.6" | 153.5" | 155.5" | 157.5" | 159.4" | 161.4" | 163.4" | 165.4" |
| 167.3" | 169.3" | 171.3" | 173.2" | 175.2" | 177.2" | 179.1" | 181.1" | 183.1" | 185.0" | 187.0" | 189.0" |
| 190.9" | 192.9" |        |        |        |        |        |        |        |        |        |        |

# TIGHT PITCH COLOR CHANGING 4.4W LED TAPELIGHT - IP65

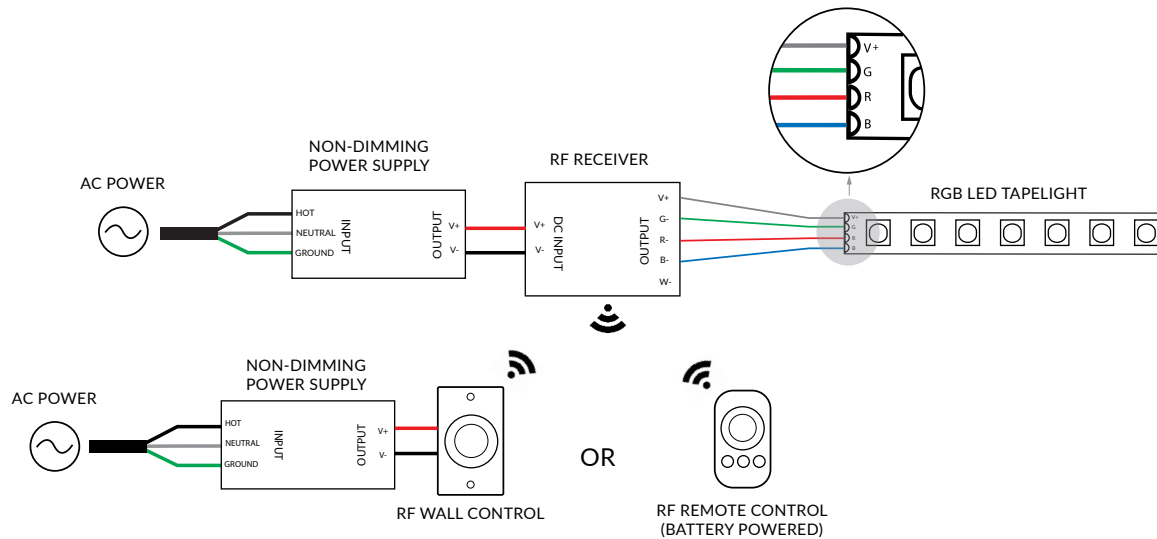
POWER SUPPLY (SOLD SEPARATELY)

NON-DIMMABLE ELECTRONIC 

| PART NUMBER            | CAPACITY | INPUT    | OUTPUT | CLASS   | LOCATION | L     | W    | H     |
|------------------------|----------|----------|--------|---------|----------|-------|------|-------|
| LLI-PS-NDE-030W-24V-KO | 30W      | 100-277V | 24V    | CLASS 2 | IP66 WET | 6.5"  | 3.5" | 1.02" |
| LLI-PS-NDE-060W-24V-KO | 60W      | 100-277V | 24V    | CLASS 2 | IP66 WET | 7.4"  | 3.5" | 1.2"  |
| LLI-PS-NDE-096W-24V-KO | 96W      | 100-277V | 24V    | CLASS 2 | IP66 WET | 8.7"  | 3.7" | 1.7"  |
| LLI-PS-NDE-200W-24V-KO | 200W     | 100-277V | 24V    | CLASS 1 | IP66 WET | 10.3" | 4.1" | 1.8"  |
| LLI-PS-NDE-300W-24V-KO | 300W     | 100-277V | 24V    | CLASS 1 | IP66 WET | 10.9" | 4.3" | 1.8"  |



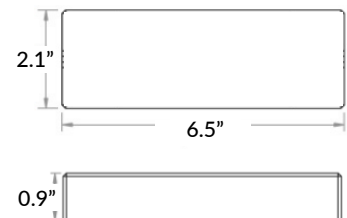
## EXAMPLE WIRING DIAGRAM - RF CONTROLLED



RF RECEIVER (SOLD SEPARATELY)

### LLI-C-RCV-UR-RF-4CH

|                          |   |
|--------------------------|---|
| CONTROLLER COMPATIBILITY | Compatible with all RF LLI-C-CTRL controllers.  |
| LED COMPATIBILITY        | Static Color, Tunable White & RGB(W) LEDs   |
| CHANNELS                 | 4 Channel, 8 Amp  |
| INPUT VOLTAGE            | 12V / 24V (power supply not included)   |
| CAPACITY                 | 12V - 96W, 24V - 192W   |
| FEATURES                 | Can be controlled by up to (8) controllers<br>Can be synchronized with unlimited receivers up to 320ft away |



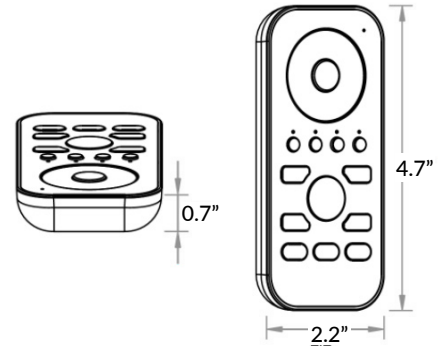
# TIGHT PITCH COLOR CHANGING 4.4W LED TAPELIGHT - IP65

## RF CONTROLLERS (SOLD SEPARATELY)

### REMOTE CONTROLLER

#### LLI-C-CTRL-RGBW-HH

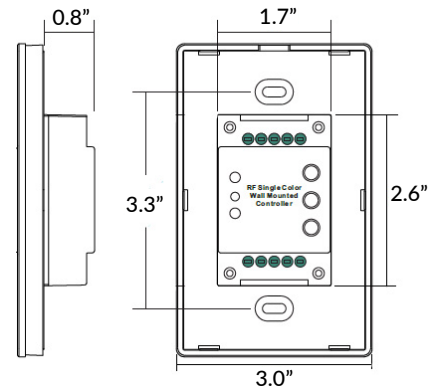
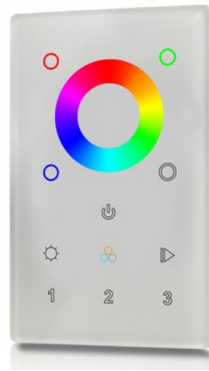
|                        |  |
|------------------------|--|
| RECEIVER COMPATIBILITY | Compatible with Universal RF receivers   |
| LED COMPATIBILITY      | RGB(W) LEDs  |
| INPUT VOLTAGE          | Battery operated (3 AAA batteries not included)  |
| FEATURES               | Programmable up to 4 zones, 3 scenes<br>Color adjustment<br>Light intensity adjustment |



### TOUCH PANEL WALL CONTROLLER

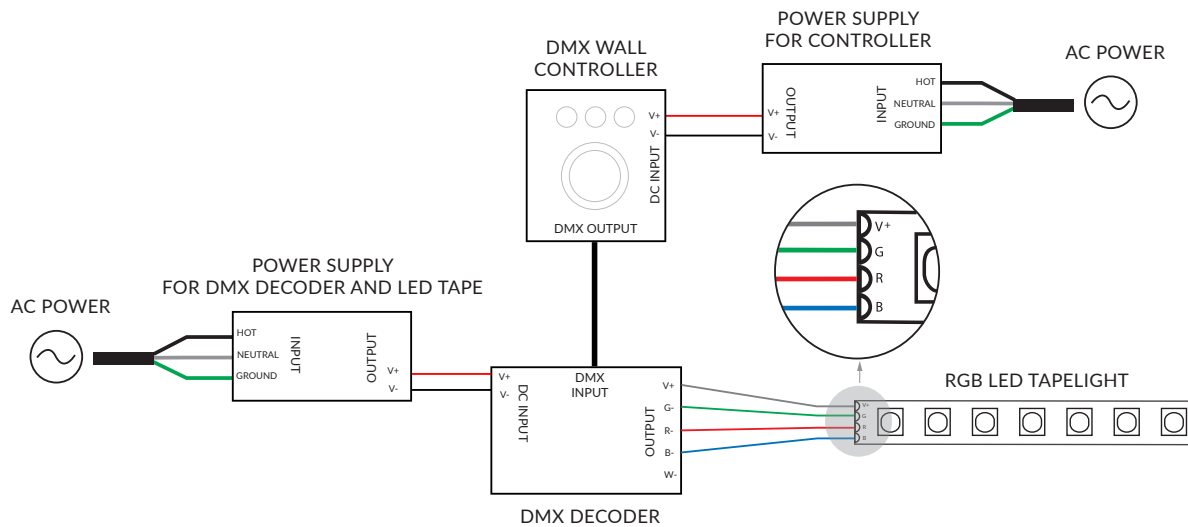
#### LLI-C-CTRL-RGBW-TP-WH

|                        |   |
|------------------------|---|
| RECEIVER COMPATIBILITY | Compatible with Universal RF receivers  |
| LED COMPATIBILITY      | RGB(W) LEDs   |
| INPUT VOLTAGE          | 12V DC power supply required (not included)   |
| FEATURES               | Control range $\geq$ 65ft<br>Programmable up to 3 scenes<br>4 color presets<br>Color adjustment<br>Light intensity adjustment |



# TIGHT PITCH COLOR CHANGING 4.4W LED TAPELIGHT - IP65

## EXAMPLE WIRING DIAGRAM - DMX CONTROLLED

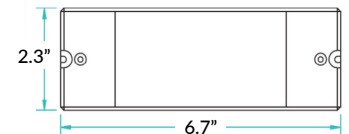
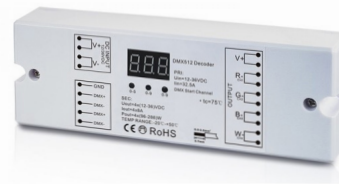


## DMX DECODERS (SOLD SEPARATELY)

### DMX512 DECODER

#### LLI-C-DEC-DMX512-8A

|                 |   |
|-----------------|---|
| LOCATION RATING | Indoor only   |
| FUNCTION        | Single color, tunable white, RGB(W) LEDs                        |
| CHANNELS        | 4 channel output, 8 Amp maximum<br>512 addressable DMX channels |
| CAPACITY        | 12V - 96W maximum<br>24V - 192W maximum                         |
| COMPATIBILITY   | Compatible with LLI-C-CTRL-DMX controllers                      |



### POWER

Power supply not included. 12V/24V non-dimming power supply required.



### RDM DMX512 DECODER

#### LLI-C-DEC-DMX512-8A-RDM

|                 |  |
|-----------------|--|
| OUTPUT          | 8A maximum, 4 channels   |
| LOCATION RATING | Indoor only  |
| FUNCTION        | RDM communication and PWM dimming for static white, static color, tunable white, and RGB(W) LEDs |
| CHANNELS        | 4 channel output, 8 Amp maximum<br>512 addressable DMX channels                                  |
| CAPACITY        | 12V - 96W maximum<br>24V - 192W maximum  |
| COMPATIBILITY   | Compatible with LLI-C-CTRL-DMX controllers   |

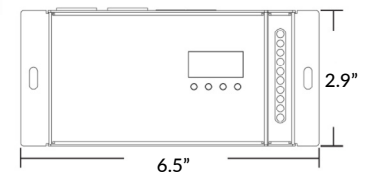


### FEATURES

Can be controlled by up to eight (8) controllers. Can be synchronized with twenty (20) decoders.

### POWER

Power supply not included. 12V/24V non-dimming power supply required.



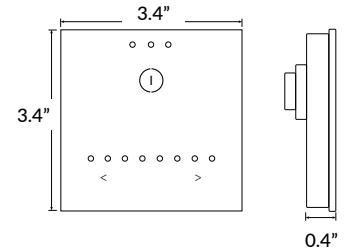
# TIGHT PITCH COLOR CHANGING 4.4W LED TAPELIGHT - IP65

## DMX WALL CONTROLLERS (SOLD SEPARATELY)

### STAND ALONE DMX WALL CONTROLLER, GU2

#### LLI-C-CTRL-DMX-STICK-GU2

|                          |  |
|--------------------------|--|
| INCLUDED IN PACKAGE      | Controller, CD-ROM, USB cable, connector block, power supply |
| OS/COMPUTER REQUIREMENTS | Mac OSx 10.6 or higher / Windows XP or higher, USB 2.0 port  |
| PROGRAM SOFTWARE         | Easy Stand Alone, ESA2 (included)                            |
| CONNECTIONS              | Power (2 pins), DMX (3 pins), Port (2 pins), Micro-USB Port  |
| MOUNTING                 | Single or double gang wall box                               |
| IP RATING                | IP20 - dry locations only                                    |



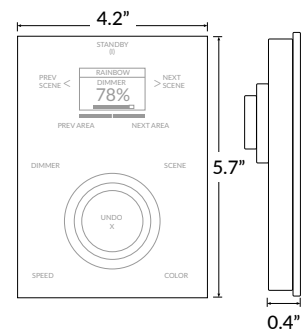
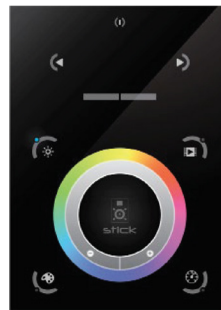
#### FEATURES

- Up to 24 dynamic or static scenes
- Wall mounted control panel with glass face, touch-sensitive buttons
- Programmable with included USB cable and software – no Ethernet or WiFi required

### STAND ALONE DMX WALL CONTROLLER, DE3

#### LLI-C-CTRL-DMX-STICK-DE3

|                          |   |
|--------------------------|---|
| INCLUDED IN PACKAGE      | Controller, connector block, power supply   |
| OS/COMPUTER REQUIREMENTS | Mac OSx 10.6 or higher / Windows XP or higher / iOS phone or tablet / Android phone or tablet             |
| PROGRAM SOFTWARE         | Easy Stand Alone, ESA2 (Mac/Windows)<br>DMX Lightpad 3 App (iOS/Android)<br>Easy Remote App (iOS/Android) |
| CONNECTIONS              | Power/DMX - screw terminal and RJ45 compatible<br>Memory - MicroSD slot<br>Programming - MicroUSB port    |
| POWER SUPPLY             | 6VDC power supply (included)  |
| MEMORY                   | MicroSD card (not included)   |
| MOUNTING                 | Single or double gang wall box  |
| IP RATING                | IP20 - dry locations only   |



#### FEATURES

- Multi-zone microSD memory
- Multi-room control with 500 scenes, 10 zones
- Integrated clock and calendar for scheduling events
- Touch-sensitive buttons
- USB and Ethernet connectivity for programming
- Windows/Mac software for programming dynamic effects
- iPhone/iPad/Android apps for remote control and program

# TIGHT PITCH COLOR CHANGING 4.4W LED TAPELIGHT - IP65

## DMX WALL CONTROLLERS (SOLD SEPARATELY)

### STAND ALONE DMX WALL CONTROLLER, CW4

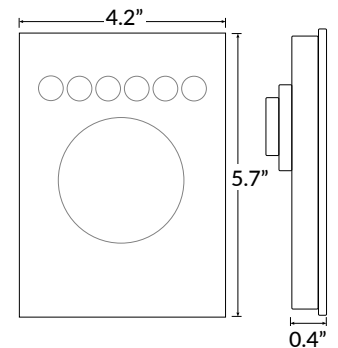
|                                 |  |
|---------------------------------|--|
| <b>LLI-C-CTRL-DMX-STICK-CW4</b> | FINISH   |
|                                 |  |
|                                 | <b>BL</b> Black glass<br><b>WH</b> White glass |

|                          |   |
|--------------------------|---|
| INCLUDED IN PACKAGE      | Controller, connector block, power supply, mini-USB cable, ESA2 software, ESA Pro2 Software |
| OS/COMPUTER REQUIREMENTS | Mac OSx 10.6 or higher / Windows XP or higher   |
| PROGRAM SOFTWARE         | Easy Stand Alone, ESA2 (Mac/Windows)  |
| CONNECTIONS              | Power/DMX - screw terminal and RJ45<br>Programming - miniUSB port                           |
| POWER SUPPLY             | Requires 5-10VDC 0.6A power supply (included)   |
| MEMORY                   | Integrated flash memory   |
| MOUNTING                 | Single or double gang wall box  |
| IP RATING                | IP20 - dry locations only   |



### FEATURES

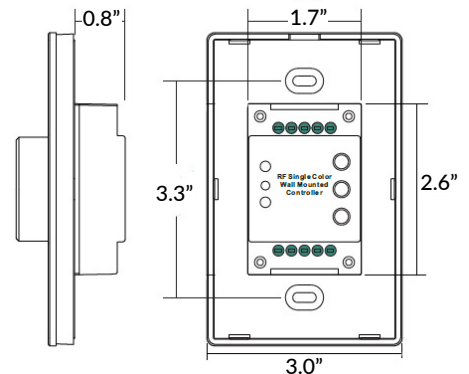
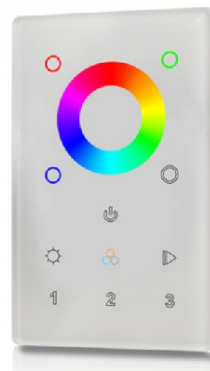
- Can be controlled directly from a computer, smartphone, or tablet
- Touch-sensitive buttons, glass face
- Up to 36 dynamic or static scenes
- 8 port triggers
- 1024 DMX channels control up to 340 RGB fixtures
- Windows/Mac software for programming dynamic effects
- Internal clock and calendar with sunrise/sunset triggering



### TOUCH PANEL DMX WALL CONTROLLER

#### LLI-C-CTRL-DMX-RGBW-TP

|                        |                                     |
|------------------------|-------------------------------------|
| LED TAPE COMPATIBILITY | Compatible with 12-24V DC LED tapes |
| PROTOCOL               | DMX512                              |
| ZONES                  | 3 zones                             |
| INTERFACE              | Glass touch control                 |
| WARRANTY               | 5 year limited                      |



### POWER

Power supply for controller not included.  
12V DC power supply required.