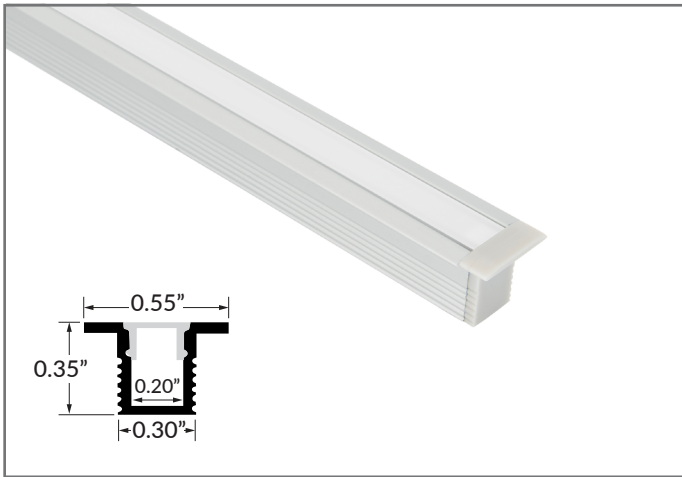


MICRO FLANGED EXTRUSION + LED TAPELIGHT

SPECIFICATIONS



FINISH	Silver Anodized
LENS	Frosted
WATTAGE	2.5W/ft to 4.0W/ft
IP RATING	IP20 dry
CCT / COLOR	2700K - 5200K
BEAM SPREAD	95° typical with Frosted lens
INPUT VOLTAGE	24VDC
LENGTH	Made to order. Actual lengths vary by LED tapelight cut points. Maximum assembled length is 94in. Lengths over 94in are made with multiple sections, shipped unassembled.
OUTPUT	135 to 189 lm/ft
LEDS	Single binned LEDs +/- 30-70 CCT, MacAdam 3 SDCM
MATERIAL	Extrusion - Anodized aluminum; Lens - Polycarbonate
MOUNTING	Mounting clips recommended
POWER SUPPLY	Requires a 24V power supply - see page 5
WARRANTY	IP20 - 5 year limited

5 YEAR
LIMITED
WARRANTY



ASSEMBLED IN THE
USA

FEATURES & RECOMMENDED APPLICATIONS

Mini extrusion with ribbed sides and a classic modern appearance. Versatile and ideal for general lighting, under cabinet, accents, displays, shelving, and signage.



PRODUCT: LLI-MCF-SF-3.0W-30K-24V-48IN

MICRO FLANGED EXTRUSION + LED TAPELIGHT

ORDERING GUIDE

← PRODUCT CODE

PROFILE		1a. FINISH		1b. LENS		2. LED		3. IP RATING		4. CCT / COLOR		5. INPUT		5. LENGTH		6. MOUNTING		7. LEAD TYPE		8. LEAD LENGTH		9. FEED TYPE
LLI-MCF	-	S	-	F	-	3.0W	-	[blank]	-	30K	-	24V	-	48IN		[blank]		[blank]		[blank]		[blank]
		Silver		Frosted		WATTS/FT 2.5-4.0 W/ft		[blank] - IP20		22K-52K				Enter overall length in inches. Length can be a complete section (if under max run) or separated into smaller sections. Nominal length only. Actual lengths vary by LED cut point.	Default [blank] - Ships standard with standard clips. Refer to section 6 on the next page if you require alternate mounting.		Default [blank] - 48" hard wire end feed (PWR48EF) Refer to section 7 on the next page for an alternate power feed configuration.					

Example product code: LLI-MCF-SF-3.0W-35K-24V-48IN

More LED tapelight and color options available upon request. Visit www.lliighting.com or contact us for details.

1. FINISH & LENS

<p>1a. FINISH</p> <div style="border: 1px solid black; padding: 2px; width: 60px; margin: 0 auto;">S</div> <p>S Silver Anodized finish</p>	<p>1b. LENS</p> <div style="border: 1px solid black; padding: 2px; width: 60px; margin: 0 auto;">F</div> <p>F Frosted lens</p>
--	--

2-4. LED TAPELIGHT OPTIONS

<p>2. LED CODE</p> <div style="border: 1px solid black; padding: 2px; width: 100px; margin: 0 auto;">3.0W</div>	<p>3. IP RATING</p> <div style="border: 1px solid black; padding: 2px; width: 100px; margin: 0 auto;">[blank]</div>	<p>4. CCT / COLOR</p> <div style="border: 1px solid black; padding: 2px; width: 100px; margin: 0 auto;">30K</div>
---	---	---

For IP20, leave [blank].

LED CODE	IP RATING	CCT / COLOR
3.0W (White)	20	27K / 30K / 35K / 42K / 52K
CB2.5W (White COB)	20	24K / 27K / 30K / 35K / 42K / 52K
4.0W (White)	20	27K / 30K / 35K / 42K / 52K

TECHNICAL DATA

WATTAGE	DELIVERED LM/FT @ 30K [^]	FROSTED LENS APPEARANCE ^{**}	CRI	MAX. RUN	CUT POINTS*
3.0 W/ft	135 lm/ft	UNIFORM	90+	16 ft	1.5"
2.5 W/ft	176 lm/ft	UNIFORM	90+	16 ft	1.97"
4.0 W/ft	189 lm/ft	UNIFORM	90+	16 ft	1.5"

^{**} Diode visibility data tested at 100% output. Diodes may become more visible as tapelight dims.

[^] Lumen data based on frosted lens, IP20 tapelight, 30K white output, or combined output for tunable white, warm fade, RGB, and RGB(W) tapelights.



5. LENGTH

5.
LENGTH

48IN

Enter overall extrusion length in inches. Maximum assembled length is 94in. Lengths over 94in are made with multiple sections, shipped unassembled. Overall Extrusion+LED tapelight length will be rounded down based on nearest LED tapelight cut point.

MICRO FLANGED EXTRUSION + LED TAPELIGHT

ORDERING GUIDE (CONTINUED)

6. MOUNTING (OPTIONAL)

6.

MOUNTING

[blank]

Default [blank] - Standard Clip

STANDARD MOUNTING CLIP INCLUDED UNLESS OTHERWISE SPECIFIED



0.42" W x 0.18" H x 0.59" L

7-10. POWER FEED (OPTIONAL)

7.

LEAD TYPE

[blank]

8.

LEAD LENGTH

[blank]

9.

FEED TYPE

[blank]

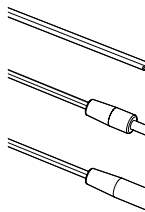
Default [blank] - 48" hard wire end feed (PWR48EF)

PWR Hard wire
MBC Male barrel
FBC Female barrel

Enter desired wire length in inches.

EF End Feed
RF Rear Feed
SR Right Side Feed
SL Left Side Feed

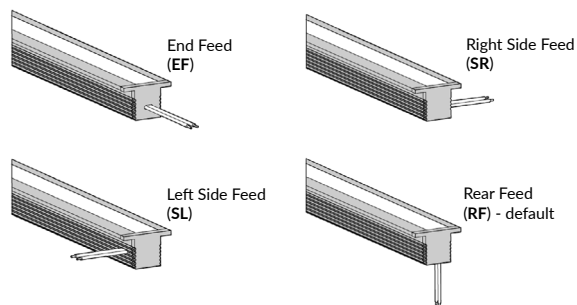
STANDARD 48" HARD WIRE REAR FEED INCLUDED UNLESS OTHERWISE SPECIFIED



Hard wire, no connector - default (PWR)

Male barrel connector (MBC)*

Female barrel connector (FBC)*

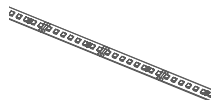


*Barrel connectors not compatible with RGB, RGB(W), or Tunable White tapelights.

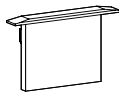
WHAT'S INCLUDED



EXTRUSION WITH LENS



LED TAPELIGHT



ENDCAPS



MOUNTING CLIP

MICRO FLANGED EXTRUSION + LED TAPELIGHT

LUMEN OUTPUT MULTIPLIERS (FOR ESTIMATING DELIVERED LUMENS)

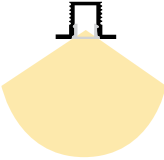
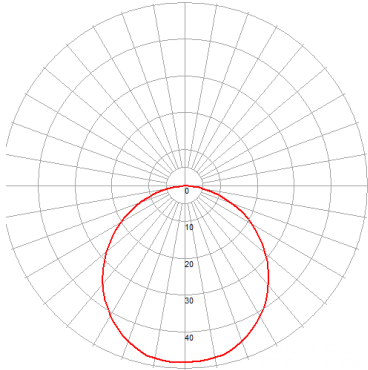
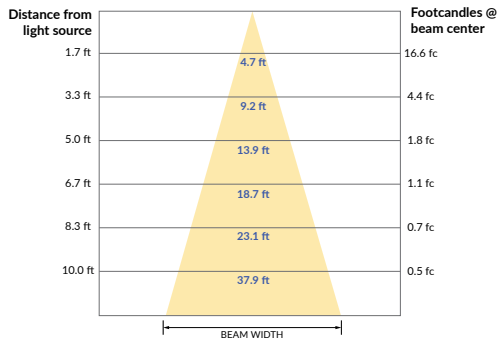
COLOR TEMPERATURE	LUMEN MULTIPLIER
2200K	0.8
2700K	0.9
3000K	1
3500K	1.1
4200K	1.2
5200K	1.25

EXAMPLE: Extrusion with 3.0W, 5200K

(Output @ 30K) x (Color temperature lumen multiplier) = Estimated delivered lm/ft

135 lm/ft	x	1.25	=	169 lm/ft
-----------	---	------	---	-----------

PHOTOMETRY

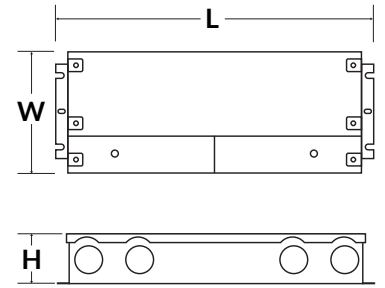
LLI-MCF-SF-3.0W-30K-24V*		BEAM SPREAD	POLAR CHART	CONICAL CHART
POWER (W/ft)	3.0W	95° 		ILLUMINANCE AT A DISTANCE 
OUTPUT (lm/ft)	135 lm/ft			
COLOR TEMPERATURE	3000K			
BEAM SPREAD	95°			
EFFICACY (lm/W)	45 lm/W			

*Information for other options available upon request. IES files for extrusion+tapelight available upon request.

DIMMABLE ELECTRONIC 0-10V 

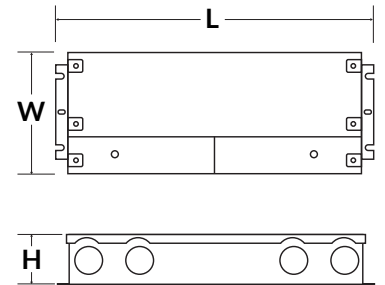
Optimal performance dims to 0%.*

PART NUMBER	CAPACITY	INPUT	OUTPUT	CLASS	LOCATION	L	W	H
LLI-PS-DE010-030W-24V-KO	30W	120V or 277V	24V	CLASS 2	IP66 WET	6.5"	3.6"	1.6"
LLI-PS-DE010-060W-24V-KO	60W	120V or 277V	24V	CLASS 2	IP66 WET	7.4"	3.6"	1.6"
LLI-PS-DE010-096W-24V-KO	96W	120V or 277V	24V	CLASS 2	IP66 WET	8.7"	3.7"	1.7"
LLI-PS-DE010-192W-24V-CL2-KO	2x96W	120V or 277V	24V	CLASS 2	IP66 WET	10.9"	4.3"	1.9"
LLI-PS-DE010-200W-24V-KO	200W	120V or 277V	24V	CLASS 1	IP66 WET	10.2"	4.1"	1.8"
LLI-PS-DE010-288W-24V-CL2-KO	3x96W	120V or 277V	24V	CLASS 2	IP66 WET	11.9"	4.3"	1.9"
LLI-PS-DE010-300W-24V-KO	300W	120V or 277V	24V	CLASS 1	IP66 WET	10.9"	4.3"	1.8"



NON-DIMMABLE ELECTRONIC 

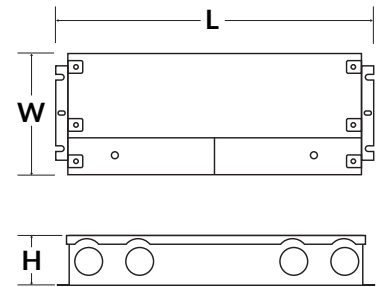
PART NUMBER	CAPACITY	INPUT	OUTPUT	CLASS	LOCATION	L	W	H
LLI-PS-NDE-030W-24V-KO	30W	100-277V	24V	CLASS 2	IP66 WET	6.5"	3.5"	1.02"
LLI-PS-NDE-060W-24V-KO	60W	100-277V	24V	CLASS 2	IP66 WET	7.4"	3.5"	1.2"
LLI-PS-NDE-096W-24V-KO	96W	100-277V	24V	CLASS 2	IP66 WET	8.7"	3.7"	1.7"
LLI-PS-NDE-192W-24V-CL2-KO	2x96W	100-277V	24V	CLASS 2	IP66 WET	10.9"	4.1"	1.9"
LLI-PS-NDE-200W-24V-KO	200W	100-277V	24V	CLASS 1	IP66 WET	10.3"	4.1"	1.8"
LLI-PS-NDE-288W-24V-CL2-KO	3x96W	100-277V	24V	CLASS 2	IP66 WET	11.9"	4.1"	1.9"
LLI-PS-NDE-300W-24V-KO	300W	100-277V	24V	CLASS 1	IP66 WET	10.9"	4.3"	1.8"




UNIVERSAL DIMMABLE ELECTRONIC FLICKER-FREE 

Optimal performance dims to 0-2%.

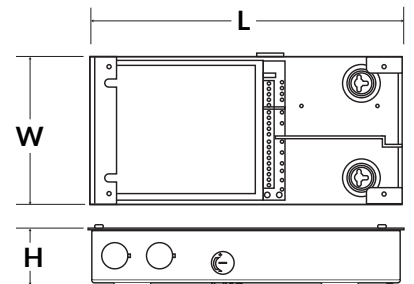
PART NUMBER	CAPACITY	INPUT	OUTPUT	CLASS	LOCATION	L	W	H
LLI-PS-UDIMM-030W-24V-KO	30W	110-277V	24V	CLASS 2	IP66 WET	6.5"	3.7"	1.6"
LLI-PS-UDIMM-060W-24V-KO	60W	110-277V	24V	CLASS 2	IP66 WET	7.4"	3.7"	1.6"
LLI-PS-UDIMM-096W-24V-KO	96W	110-277V	24V	CLASS 2	IP66 WET	8.7"	3.7"	1.6"
LLI-PS-UDIMM-192W-24V-CL2-KO	2x96W	110-277V	24V	CLASS 2	IP66 WET	10.9"	4.3"	1.8"
LLI-PS-UDIMM-200W-24V-KO	200W	110-277V	24V	CLASS 1	IP66 WET	10.2"	4.1"	1.8"
LLI-PS-UDIMM-288W-24V-CL2-KO	3x96W	110-277V	24V	CLASS 2	IP66 WET	11.8"	4.3"	1.8"
LLI-PS-UDIMM-300W-24V-KO	300W	110-277V	24V	CLASS 1	IP66 WET	10.9"	4.3"	1.8"



LUTRON HI-LUME PREMIER 0.1% DIMMABLE ELECTRONIC 

Soft-on, Fade-to-Black, continuous flicker-free dimming from 100% to 0.1.

PART NUMBER	CAPACITY	INPUT	OUTPUT	CLASS	LOCATION	L	W	H
L3D0-96W24V-U	96W	120-277V	24V	CLASS 2	IP20 DRY	10.5"	5.5"	2.0"



*Performance can be affected by driver loading and dimmer type.