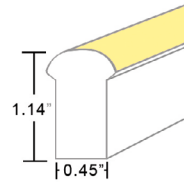
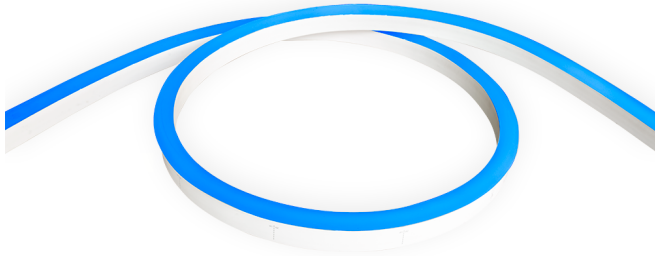


COLOR CHANGING LED NEON - 24V

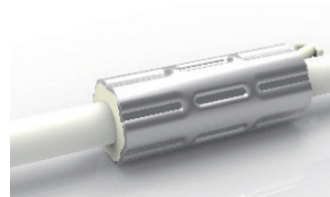
Dome Profile / Side Bending / PVC / IP68



TECHNICAL INFORMATION

NOTE: All data has +/- 5% tolerance.

WATTAGE	3.7W per foot
IP RATING	IP68 - wet locations, submersible. Conforms to standards of UL676 for use in swimming pools.
PROFILE	Dome
BEND ORIENTATION	Side Bending
HOUSING MATERIAL	PVC
OUTPUT	Red (618-624nm) - 13 lm/ft Green (522-528nm) - 34 lm/ft Blue (468-474nm) - 6 lm/ft RGB - 52 lm/ft
INPUT VOLTAGE	24VDC
SEGMENT LENGTH	Every 3.94", not field-cuttable
MAXIMUM RUN	32 feet
DIMENSIONS	0.45" W x 1.14" H (11.5mm x 29mm)
MINIMUM BEND	4.72" diameter
INSTALLATION TEMP.	32°F to 113°F (do not install when temperatures are below freezing)
OPERATING TEMP.	-4°F to 113°F
WARRANTY	3 year limited
CONTROLS	Receiver/decoder and controller required - see pages 9-13
POWER SUPPLY	Compatible with all non-dimmable 24VDC power supplies - see page 9

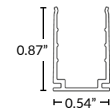


ANTI-WICKING FERRULE

Standard on all LED Neon power cables. Located 4.5" from the connector. Protects against water ingress and circuit board corrosion. H 0.47" x W 1.18"

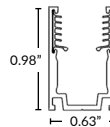
MOUNTING CLIP OPTIONS (SOLD SEPARATELY)

More options and channels available (page 6-8). Recommended 2 clips per 12" of Neon.



Mounting Clip

Part Number: LLI-ND-MCL-1.5IN
1.38" L x 0.87" H x 0.54" W



Silicone Grip Mounting Clip

Part Number: LLI-ND-MCL-SG-0.8IN
0.80" L x 0.98" H x 0.63" W

NOTE: Neon sections may be mounted end-to-end on the non-power feed end to create the appearance of longer runs. End-to-end Neon sections must have a 0.5" to 1" gap to allow for expansion/contraction. A dark spot may be visible at <20ft viewing distance.

PART NUMBER BUILDER / ORDERING GUIDE

Example part number: LLI-N3.7W-68-DSP-RGB-24V-96in

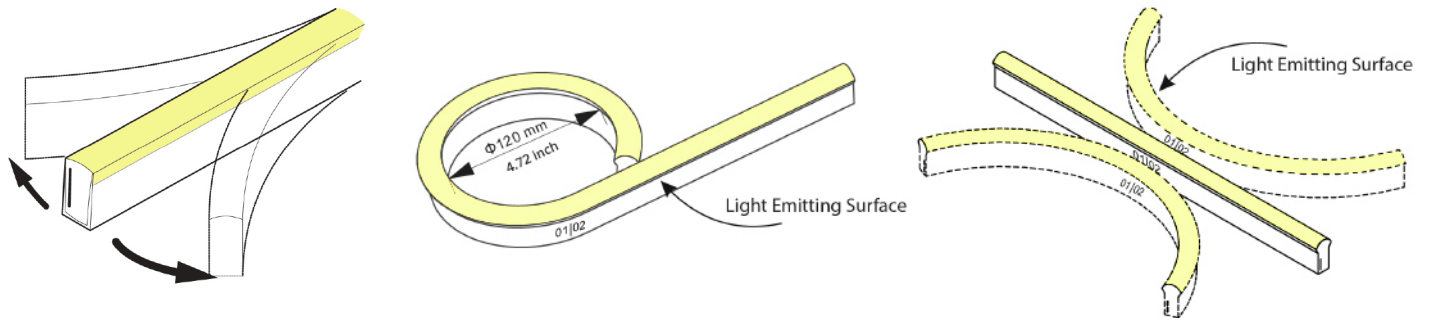
SERIES	IP RATING	TYPE	COLOR	VOLTAGE	LENGTH
LLI-N3.7W	68	DSP	RGB	24V	<input type="text"/>

(enter length in inches, up to 384")

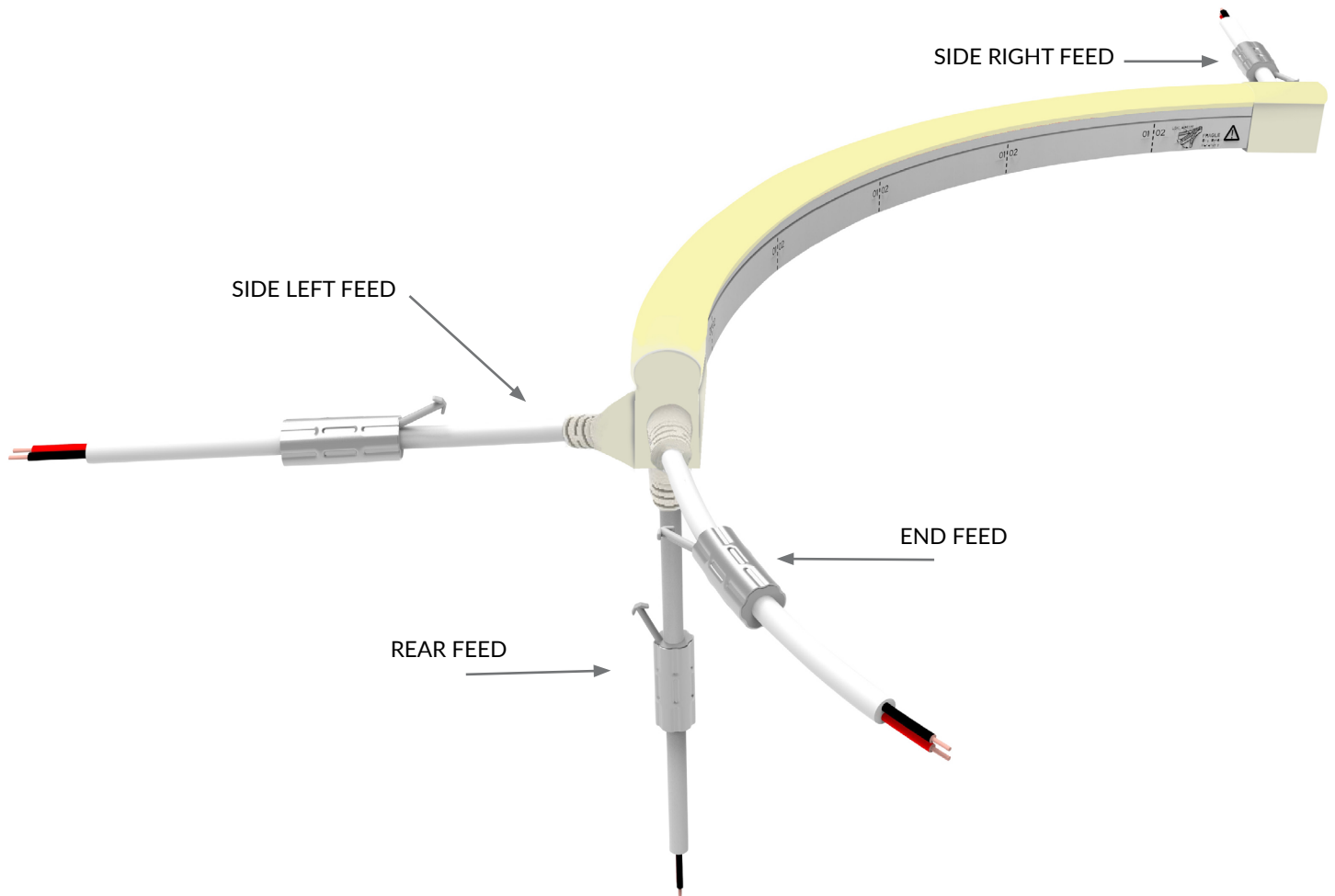
COLOR CHANGING LED NEON - 24V

Dome Profile / Side Bending / PVC / IP68

ORIENTATION & MINIMUM BEND DIAMETER



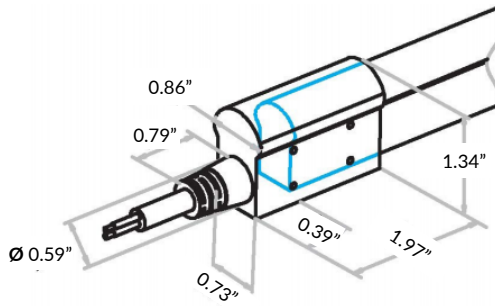
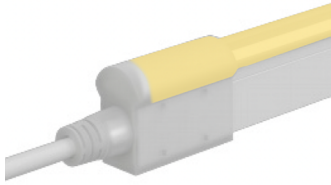
POWER FEED ORIENTATION GUIDE



COLOR CHANGING LED NEON - 24V

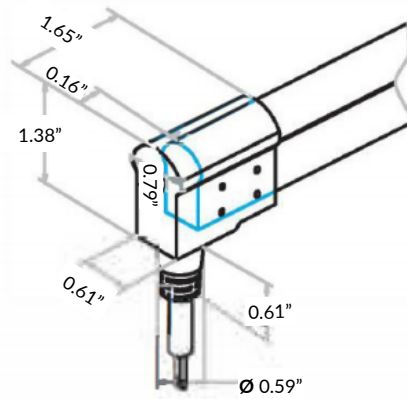
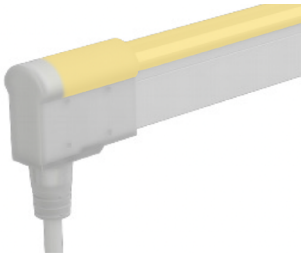
Dome Profile / Side Bending / PVC / IP68

POWER FEED & TERMINATION OPTIONS (IP68)



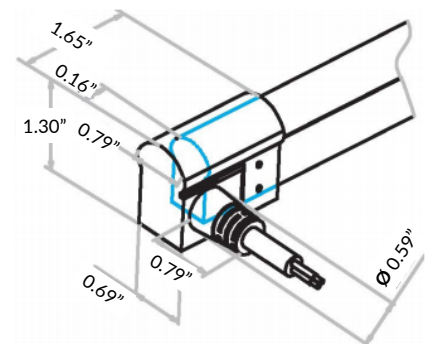
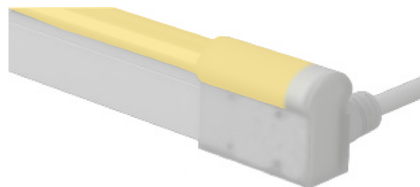
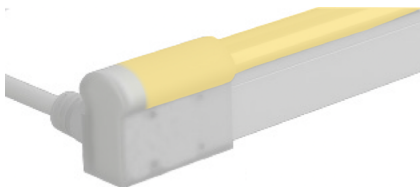
End Power Feed

SERIES	LENGTH
LLI-ND-68-PWR4-EF	39IN 78IN 118IN 196IN 393IN



Rear Power Feed

SERIES	LENGTH
LLI-ND-68-PWR4-RF	39IN 78IN 118IN 196IN 393IN



Side Left Power Feed

SERIES	SIDE	LENGTH
LLI-ND-68-PWR4	SL	39IN 78IN 118IN 196IN 393IN

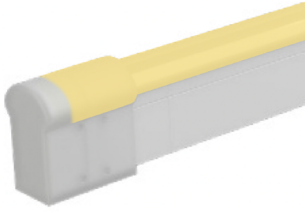
Side Right Power Feed

SERIES	SIDE	LENGTH
LLI-ND-68-PWR4	SR	39IN 78IN 118IN 196IN 393IN

COLOR CHANGING LED NEON - 24V

Dome Profile / Side Bending / PVC / IP68

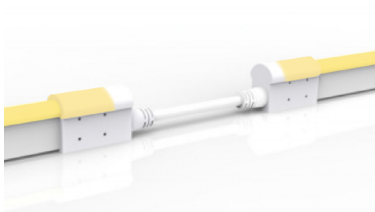
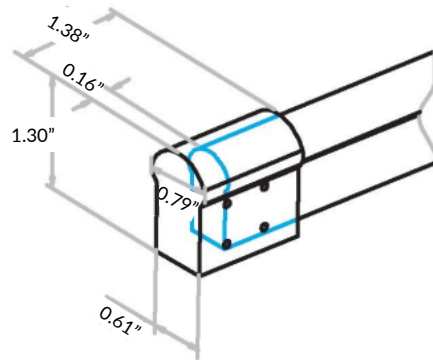
POWER FEED & TERMINATION OPTIONS (IP68)



End Cap

SERIES

LLI-ND-68-EC



Jumper Power Connector (maximum 4 per run)

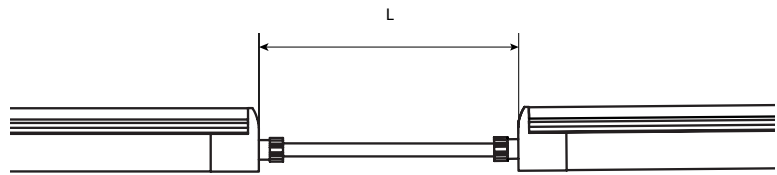
SERIES

LLI-ND-68-CON4

SIDE

LENGTH (L)

SR	12IN
SL	39IN
EF	78IN
RF	118IN
	196IN
	393IN



COLOR CHANGING LED NEON - 24V

Dome Profile / Side Bending / PVC / IP68

OVERALL LENGTH / CUT POINT GUIDE

Dimension tolerance of $\pm 1/8"$.

This product expands and contracts in varying ambient temperatures. If butting Neon end-to-end, add 1/2" to 1" gap between sections for expansion.

SIDE FEED AND REAR FEED LED NEON

4.3"	8.2"	12.1"	16.1"	20.0"	24.0"	27.9"	31.8"	35.8"	39.7"	43.7"	47.6"
51.5"	55.5"	59.4"	63.4"	67.3"	71.2"	75.2"	79.1"	83.1"	87.0"	90.9"	94.9"
98.8"	102.8"	106.7"	110.6"	114.6"	118.5"	122.5"	126.4"	130.3"	134.3"	138.2"	142.2"
146.1"	150.0"	154.0"	157.9"	161.9"	165.8"	169.7"	173.7"	177.6"	181.6"	185.5"	189.4"
193.4"	197.3"	201.3"	205.2"	209.1"	213.1"	217.0"	221.0"	224.9"	228.8"	232.8"	236.7"
240.7"	244.6"	248.5"	252.5"	256.4"	260.4"	264.3"	268.2"	272.2"	276.1"	280.1"	284.0"
287.9"	291.9"	295.8"	299.8"	303.7"	307.6"	311.6"	315.5"	319.5"	323.4"	327.3"	331.3"
335.2"	339.2"	343.1"	347.0"	351.0"	354.9"	358.9"	362.8"	366.7"	370.7"	374.6"	378.6"
382.5"											

END FEED LED NEON

Measurement does not include area required for routing power wire. Add 1.5" distance account for routing end feed power wire.

5.3"	9.2"	13.2"	17.1"	21.0"	25.0"	28.9"	32.9"	36.8"	40.7"	44.7"	48.6"
52.6"	56.5"	60.4"	64.4"	68.3"	72.3"	76.2"	80.1"	84.1"	88.0"	92.0"	95.9"
99.8"	103.8"	107.7"	111.7"	115.6"	119.5"	123.5"	127.4"	131.4"	135.3"	139.2"	143.2"
147.1"	151.1"	155.0"	158.9"	162.9"	166.8"	170.8"	174.7"	178.6"	182.6"	186.5"	190.5"
194.4"	198.3"	202.3"	206.2"	210.2"	214.1"	218.0"	222.0"	225.9"	229.9"	233.8"	237.7"
241.7"	245.6"	249.6"	253.5"	257.4"	261.4"	265.3"	269.3"	273.2"	277.1"	281.1"	285.0"
289.0"	292.9"	296.8"	300.8"	304.7"	308.7"	312.6"	316.5"	320.5"	324.4"	328.4"	332.3"
336.2"	340.2"	344.1"	348.1"	352.0"	355.9"	359.9"	363.8"	367.8"	371.7"	375.6"	379.6"
383.5"											

COLOR CHANGING LED NEON - 24V

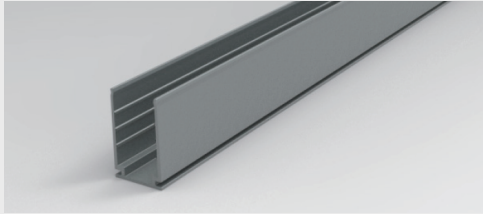
Dome Profile / Side Bending / PVC / IP68

MOUNTING CHANNELS

NOTE: Leave a 0.5" to 1" gap between Neon power feed and mounting channel, to avoid undue stress on power feed cables.

ALUMINUM MOUNTING CHANNEL

Silver anodized finish



Mounting Clip

Recommended 2 clips every 12"

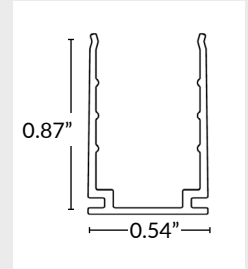
Part Number: LLI-ND-MCL-1.5IN
Dimensions: 1.5" L x 0.87" H x 0.54" W

20" Mounting Channel

Part Number: LLI-ND-EXT-20IN
Dimensions: 20" L x 0.87" H x 0.54" W

39" Mounting Channel

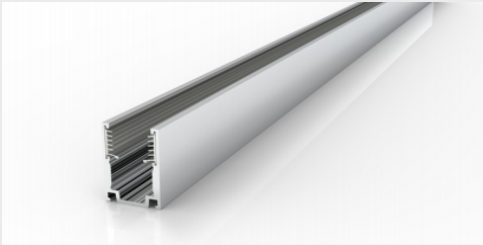
Part Number: LLI-ND-EXT-39IN
Dimensions: 39" L x 0.87" H x 0.54" W



SILICONE GRIP ALUMINUM MOUNTING CHANNEL

Recommended for ceiling and wall applications

Silver anodized finish



Mounting Clip

Recommended 2 clips every 12"

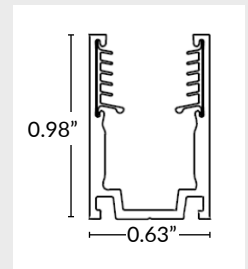
Part Number: LLI-ND-MCL-SG-0.8IN
Dimensions: 0.80" L x 0.98" H x 0.63" W

20" Mounting Channel

Part Number: LLI-ND-EXT-SG-20IN
Dimensions: 20" L x 0.98" H x 0.63" W

39" Mounting Channel

Part Number: LLI-ND-EXT-SG-39IN
Dimensions: 39.4" L x 0.98" H x 0.63" W



FLEXIBLE STAINLESS STEEL MOUNTING CHANNEL

Silver anodized finish



4" Mounting Channel

Part Number: LLI-ND-EXT-F-4IN
Dimensions: 4" L x 0.97" H x 0.52" W

12" Mounting Channel

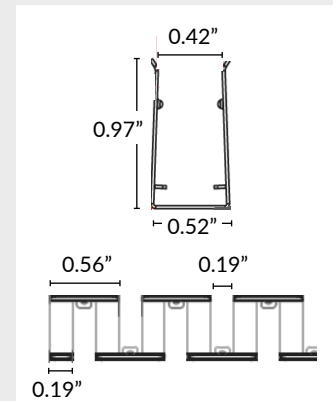
Part Number: LLI-ND-EXT-F-12IN
Dimensions: 12" L x 0.97" H x 0.52" W

20" Mounting Channel

Part Number: LLI-ND-EXT-F-20IN
Dimensions: 20" L x 0.97" H x 0.52" W

35" Mounting Channel

Part Number: LLI-ND-EXT-F-35IN
Dimensions: 35" L x 0.97" H x 0.52" W



PLASTIC MOUNTING CHANNEL

White finish

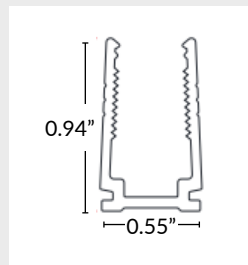


20" Mounting Channel

Part Number: LLI-ND-EXT-P-20IN
Dimensions: 20" L x 0.94" H x 0.55" W

39" Mounting Channel

Part Number: LLI-ND-EXT-P-39IN
Dimensions: 39.4" L x 0.94" H x 0.55" W



COLOR CHANGING LED NEON - 24V

Dome Profile / Side Bending / PVC / IP68

MOUNTING CHANNELS (CONTINUED)

NOTE: Leave a 0.5" to 1" gap between Neon power feed and mounting channel, to avoid undue stress on power feed cables.

REINFORCED PLASTIC MOUNTING CHANNEL

Clear plastic



1.5" Mounting Clip

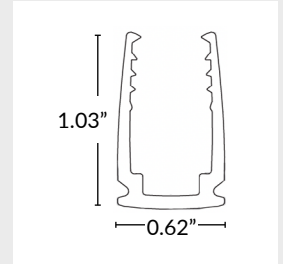
Part Number: LLI-ND-EXT-CP-1.5IN
Dimensions: 1.5" L x 1.03" H x 0.62" W

20" Mounting Channel

Part Number: LLI-ND-EXT-CP-20IN
Dimensions: 20" L x 1.03" H x 0.62" W

39" Mounting Channel

Part Number: LLI-ND-EXT-CP-39IN
Dimensions: 39.4" L x 1.03" H x 0.62" W



RECESSED ALUMINUM MOUNTING CHANNEL

Silver anodized finish



0.8" Mounting Clip

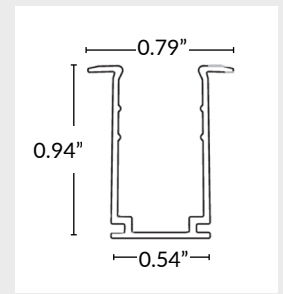
Part Number: LLI-ND-EXT-R-0.8IN
Dimensions: 0.8" L x 0.94" H x 0.79" W

20" Mounting Channel

Part Number: LLI-ND-EXT-R-20IN
Dimensions: 20" L x 0.94" H x 0.79" W

39" Mounting Channel

Part Number: LLI-ND-EXT-R-39IN
Dimensions: 39.4" L x 0.94" H x 0.79" W



RECESSED ALUMINUM MOUNTING CHANNEL WITH SILICONE GRIP

Recommended for ceiling and wall applications

Silver anodized finish



0.8" Mounting Clip

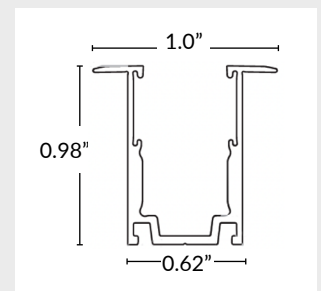
Part Number: LLI-ND-MCL-RSG-0.8IN
Dimensions: 0.8" L x 0.98" H x 1.0" W

20" Mounting Channel

Part Number: LLI-ND-EXT-RSG-20IN
Dimensions: 20" L x 0.98" H x 1.0" W

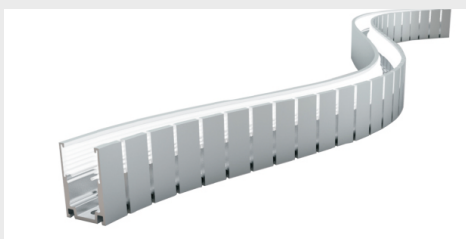
39" Mounting Channel

Part Number: LLI-ND-EXT-RSG-39IN
Dimensions: 39.4" L x 0.98" H x 1.0" W



BENDABLE SERRATED ALUMINUM MOUNTING CHANNEL

Silver anodized finish

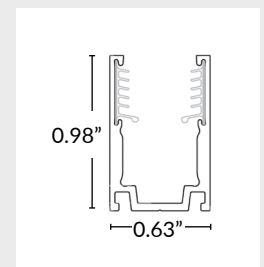


20" Mounting Channel

Part Number: LLI-ND-EXT-BS-20IN
Dimensions: 20" L x 0.98" H x 0.63" W

39" Mounting Channel

Part Number: LLI-ND-EXT-BS-39IN
Dimensions: 39.4" L x 0.98" H x 0.63" W



COLOR CHANGING LED NEON - 24V

Dome Profile / Side Bending / PVC / IP68

MOUNTING CHANNELS (CONTINUED)

NOTE: Leave a 0.5" to 1" gap between Neon power feed and mounting channel, to avoid undue stress on power feed cables.

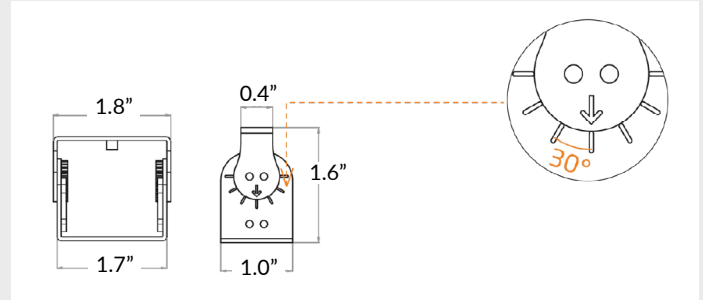
ADJUSTABLE MOUNTING BRACKET

Recommended 3 brackets for every 39" channel

Adjusts in 15° increments, notches every 30°



Part Number: LLI-ND-BKT-ADJ
Dimensions: 1" L x 1.6" H x 1.8" W



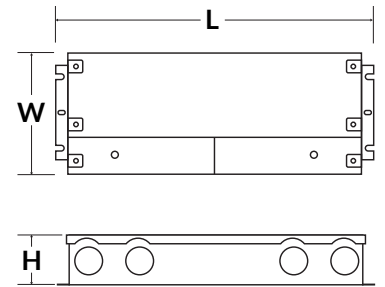
COLOR CHANGING LED NEON - 24V

Dome Profile / Side Bending / PVC / IP68

POWER SUPPLY (SOLD SEPARATELY)

NON-DIMMABLE ELECTRONIC 

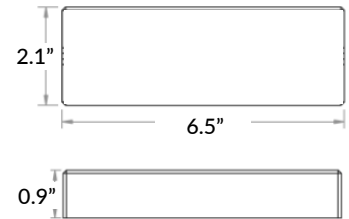
PART NUMBER	CAPACITY	INPUT	OUTPUT	CLASS	LOCATION	L	W	H
LLI-PS-NDE-030W-24V-KO	30W	100-277V	24V	CLASS 2	IP66 WET	6.5"	3.5"	1.02"
LLI-PS-NDE-060W-24V-KO	60W	100-277V	24V	CLASS 2	IP66 WET	7.4"	3.5"	1.2"
LLI-PS-NDE-096W-24V-KO	96W	100-277V	24V	CLASS 2	IP66 WET	8.7"	3.7"	1.7"
LLI-PS-NDE-200W-24V-KO	200W	100-277V	24V	CLASS 1	IP66 WET	10.3"	4.1"	1.8"
LLI-PS-NDE-300W-24V-KO	300W	100-277V	24V	CLASS 1	IP66 WET	10.9"	4.3"	1.8"



RF RECEIVER (SOLD SEPARATELY)

LLI-C-RCV-UR-RF-4CH

CONTROLLER COMPATIBILITY	Compatible with all RF LLI-C-CTRL controllers.
LED COMPATIBILITY	Static Color, Tunable White & RGB(W) LEDs
CHANNELS	4 Channel, 8 Amp
INPUT VOLTAGE	12V / 24V (power supply not included)
CAPACITY	12V - 96W, 24V - 192W
FEATURES	Can be controlled by up to (8) controllers Can be synchronized with unlimited receivers up to 320ft away



COLOR CHANGING LED NEON - 24V

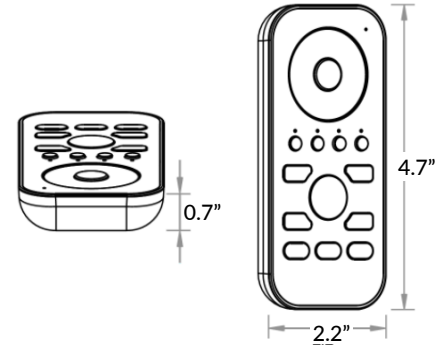
Dome Profile / Side Bending / PVC / IP68

RF CONTROLLERS (SOLD SEPARATELY)

REMOTE CONTROLLER

LLI-C-CTRL-RGBW-HH

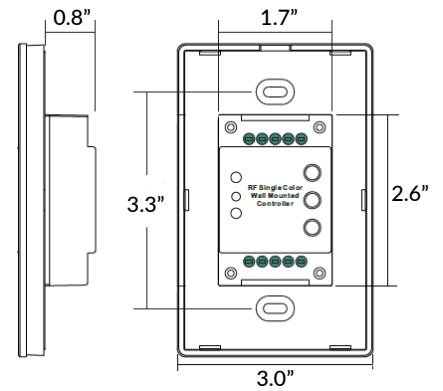
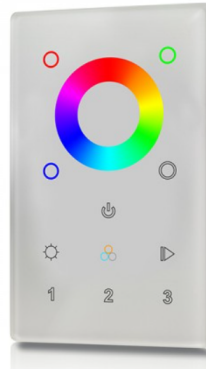
RECEIVER COMPATIBILITY	Compatible with Universal RF receivers
LED COMPATIBILITY	RGB(W) LEDs
INPUT VOLTAGE	Battery operated (3 AAA batteries not included)
FEATURES	<ul style="list-style-type: none"> Programmable up to 4 zones, 3 scenes Color adjustment Light intensity adjustment



TOUCH PANEL WALL CONTROLLER

LLI-C-CTRL-RGBW-TP-WH

RECEIVER COMPATIBILITY	Compatible with Universal RF receivers
LED COMPATIBILITY	RGB(W) LEDs
INPUT VOLTAGE	12V DC power supply required (not included)
FEATURES	<ul style="list-style-type: none"> Control range \geq 65ft Programmable up to 3 scenes 4 color presets Color adjustment Light intensity adjustment



COLOR CHANGING LED NEON - 24V

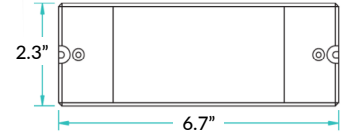
Dome Profile / Side Bending / PVC / IP68

DMX DECODERS (SOLD SEPARATELY)

DMX512 DECODER

LLI-C-DEC-DMX512-8A

LOCATION RATING	Indoor only
FUNCTION	Single color, variable white, RGB(W) LEDs
CHANNELS	4 channel output, 8 Amp maximum 512 addressable DMX channels
CAPACITY	12V - 96W maximum
	24V - 192W maximum
COMPATIBILITY	Compatible with LLI-C-CTRL-DMX controllers



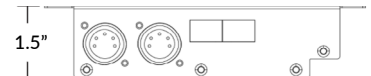
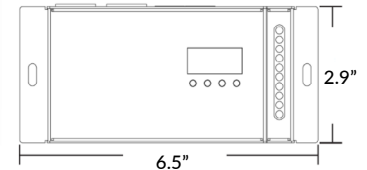
POWER

Power supply not included. 12V/24V non-dimming power supply required.

RDM DMX512 DECODER

LLI-C-DEC-DMX512-8A-RDM

OUTPUT	8A maximum, 4 channels
LOCATION RATING	Indoor only
FUNCTION	RDM communication and PWM dimming for static white, static color, tunable white, and RGB(W) LEDs
CHANNELS	4 channel output, 8 Amp maximum 512 addressable DMX channels
CAPACITY	12V - 96W maximum
	24V - 192W maximum
COMPATIBILITY	Compatible with LLI-C-CTRL-DMX controllers



FEATURES

Can be controlled by up to eight (8) controllers. Can be synchronized with twenty (20) decoders.

POWER

Power supply not included. 12V/24V non-dimming power supply required.

COLOR CHANGING LED NEON - 24V

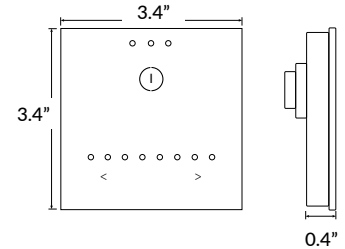
Dome Profile / Side Bending / PVC / IP68

DMX WALL CONTROLLERS (SOLD SEPARATELY)

STAND ALONE DMX WALL CONTROLLER, GU2

LLI-C-CTRL-DMX-STICK-GU2

INCLUDED IN PACKAGE	Controller, CD-ROM, USB cable, connector block, power supply
OS/COMPUTER REQUIREMENTS	Mac OSx 10.6 or higher / Windows XP or higher, USB 2.0 port
PROGRAM SOFTWARE	Easy Stand Alone, ESA2 (included)
CONNECTIONS	Power (2 pins), DMX (3 pins), Port (2 pins), Micro-USB Port
MOUNTING	Single or double gang wall box
IP RATING	IP20 - dry locations only



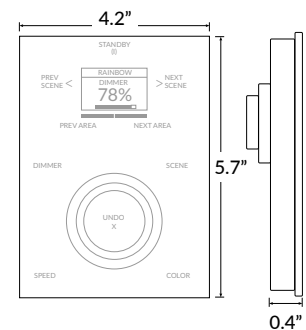
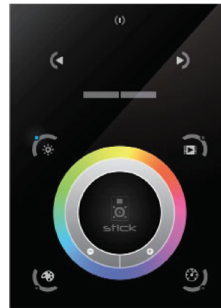
FEATURES

- Up to 24 dynamic or static scenes
- Wall mounted control panel with glass face, touch-sensitive buttons
- Programmable with included USB cable and software – no Ethernet or WiFi required

STAND ALONE DMX WALL CONTROLLER, DE3

LLI-C-CTRL-DMX-STICK-DE3

INCLUDED IN PACKAGE	Controller, connector block, power supply
OS/COMPUTER REQUIREMENTS	Mac OSx 10.6 or higher / Windows XP or higher / iOS phone or tablet / Android phone or tablet
PROGRAM SOFTWARE	Easy Stand Alone, ESA2 (Mac/Windows) DMX Lightpad 3 App (iOS/Android) Easy Remote App (iOS/Android)
CONNECTIONS	Power/DMX - screw terminal and RJ45 compatible Memory - MicroSD slot Programming - MicroUSB port
POWER SUPPLY	6VDC power supply (included)
MEMORY	MicroSD card (not included)
MOUNTING	Single or double gang wall box
IP RATING	IP20 - dry locations only



FEATURES

- Multi-zone microSD memory
- Multi-room control with 500 scenes, 10 zones
- Integrated clock and calendar for scheduling events
- Touch-sensitive buttons
- USB and Ethernet connectivity for programming
- Windows/Mac software for programming dynamic effects
- iPhone/iPad/Android apps for remote control and program

COLOR CHANGING LED NEON - 24V

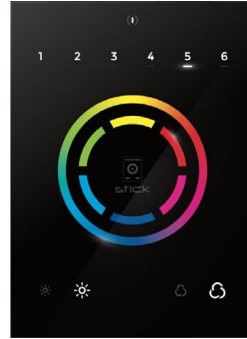
Dome Profile / Side Bending / PVC / IP68

DMX WALL CONTROLLERS (SOLD SEPARATELY)

STAND ALONE DMX WALL CONTROLLER, CW4

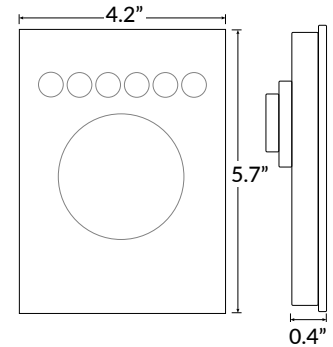
LLI-C-CTRL-DMX-STICK-CW4	FINISH			
	<table border="0"> <tr> <td>BL</td> <td>Black glass</td> </tr> <tr> <td>WH</td> <td>White glass</td> </tr> </table>	BL	Black glass	WH
BL	Black glass			
WH	White glass			

INCLUDED IN PACKAGE	Controller, connector block, power supply, mini-USB cable, ESA2 software, ESA Pro2 Software
OS/COMPUTER REQUIREMENTS	Mac OSx 10.6 or higher / Windows XP or higher
PROGRAM SOFTWARE	Easy Stand Alone, ESA2 (Mac/Windows)
CONNECTIONS	Power/DMX - screw terminal and RJ45 Programming - miniUSB port
POWER SUPPLY	Requires 5-10VDC 0.6A power supply (included)
MEMORY	Integrated flash memory
MOUNTING	Single or double gang wall box
IP RATING	IP20 - dry locations only



FEATURES

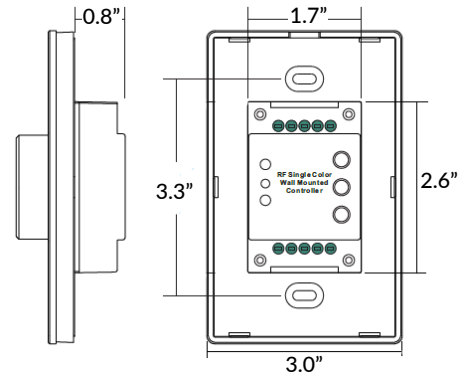
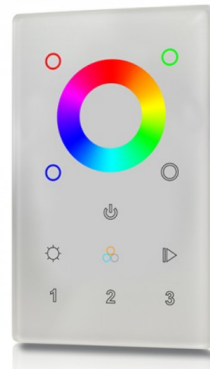
- Can be controlled directly from a computer, smartphone, or tablet
- Touch-sensitive buttons, glass face
- Up to 36 dynamic or static scenes
- 8 port triggers
- 1024 DMX channels control up to 340 RGB fixtures
- Windows/Mac software for programming dynamic effects
- Internal clock and calendar with sunrise/sunset triggering



TOUCH PANEL DMX WALL CONTROLLER

LLI-C-CTRL-DMX-RGBW-TP

LED TAPE COMPATIBILITY	Compatible with 12-24V DC LED tapes
PROTOCOL	DMX512
ZONES	3 zones
INTERFACE	Glass touch control
WARRANTY	5 year limited



POWER

Power supply for controller not included. 12V DC power supply required.