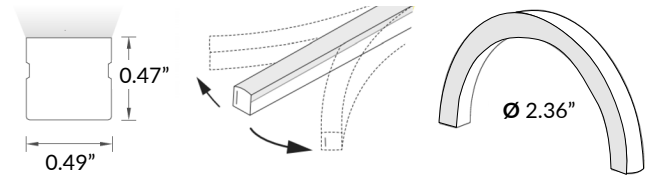
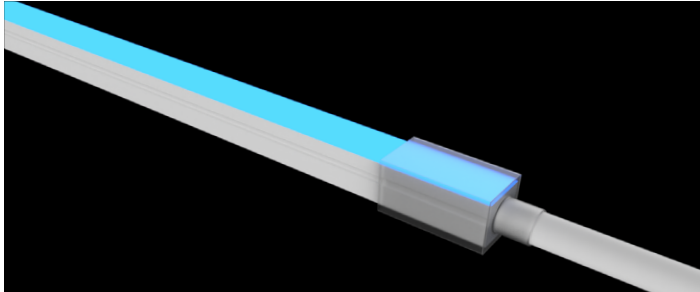


COLOR CHANGING RGB LED NEON - 24V

Mini Square Profile / Side Bending / Silicone (SS49)



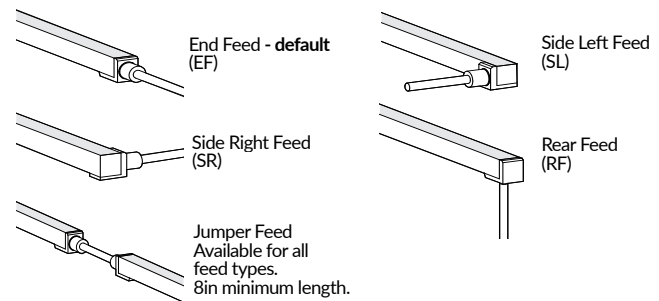
TECHNICAL INFORMATION

NOTE: All data has +/- 5% tolerance.

| | |
|--------------------|--|
| WATTAGE | 4.4W per foot |
| IP RATING | IP68 - wet locations. Protected against temporary submersion, limited protection against harsh environments. |
| IK RATING | IK08 |
| BEAM ANGLE | 113° |
| HOUSING MATERIAL | Silicone, UV resistant per ISO 4892-3 |
| OUTPUT | RGB - 98 lm/ft Red - 24 lm/ft Green - 64 lm/ft Blue - 14 lm/ft |
| INPUT VOLTAGE | 24VDC |
| SEGMENT LENGTH | Every 1.97", not field-cuttable |
| MAXIMUM RUN | 16 feet |
| DIMENSIONS | 0.49" W x 0.47" H |
| MINIMUM BEND | 2.32" diameter |
| INSTALLATION TEMP. | 32°F to 110°F (do not install when temperatures are below freezing) |
| OPERATING TEMP. | -40°F to 110°F |
| WARRANTY | 3 year limited |
| POWER SUPPLY | Compatible with all non-dim 24VDC power supplies |
| CONTROLS | Color and intensity can be adjusted with DMX decoder or RF receiver and controller |

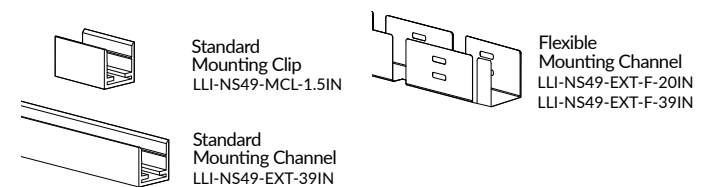
FEED TYPES

Product has 48in hard wire end feed unless otherwise specified. Other options subject to availability - contact us. Power Feed Caps and End Caps illuminate continuously to the end.



MOUNTING

See page 3 for details. 2 clips recommended per 12in of LED Neon. Sold separately.



ORDERING GUIDE

← PRODUCT CODE

| | | | | | |
|-----------|-----------|------|-------|---------|--------|
| SERIES | IP RATING | TYPE | COLOR | VOLTAGE | LENGTH |
| LLI-N4.4W | 68 | SS49 | RGB | 24V | |

Enter total length in inches. Nominal length only. Actual lengths vary by cut point. Refer to page 3.

OPTIONAL CODE →

| POWER FEED | | |
|------------|-------------|-----------|
| LEAD TYPE | LEAD LENGTH | FEED TYPE |
| | | |

Default [blank] - 48" hard wire end feed (PWR48EF)

| | | |
|-------------------------------------|-------------------------------------|--|
| PWR Hard Wire (no connector) | Enter desired wire length in inches | EF End Feed RF Rear Feed SL Side Left SR Side Right |
|-------------------------------------|-------------------------------------|--|

For runs that require power feeds on both ends, repeat optional power feed code.

Example part number: LLI-N4.4W-68-SS49-RGB-24V-96in
Default 48in end feed power wire (PWR48EF) included. Use OPTIONAL section to specify other power feed(s).

COLOR CHANGING RGB LED NEON - 24V

Mini Square Profile / Side Bending / Silicone (SS49)

OVERALL LENGTH / SEGMENT GUIDE

Dimension tolerance of $\pm 1/8"$.

Measurements below do not include area required for routing power wire. Add 1" distance to layout to account for routing end feed power wire.

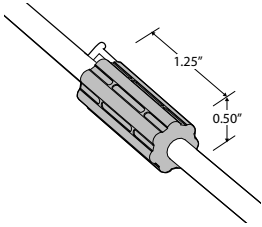
This product expands and contracts in varying ambient temperatures. If butting Neon end-to-end, add 1/2" to 1" gap between sections for expansion.

| | | | | | | | | | | | |
|--------|--------|--------|--------|--------|--------|--------|--------|--------|--------|--------|--------|
| 8.3" | 10.3" | 12.3" | 14.3" | 16.2" | 18.2" | 20.2" | 22.1" | 24.1" | 26.1" | 28.0" | 30.0" |
| 32.0" | 33.9" | 35.9" | 37.9" | 39.8" | 41.8" | 43.8" | 45.7" | 47.7" | 49.7" | 51.7" | 53.6" |
| 55.6" | 57.6" | 59.5" | 61.5" | 63.5" | 65.4" | 67.4" | 69.4" | 71.3" | 73.3" | 75.3" | 77.2" |
| 79.2" | 81.2" | 83.1" | 85.1" | 87.1" | 89.1" | 91.0" | 93.0" | 95.0" | 96.9" | 98.9" | 100.9" |
| 102.8" | 104.8" | 106.8" | 108.7" | 110.7" | 112.7" | 114.6" | 116.6" | 118.6" | 120.6" | 122.5" | 124.5" |
| 126.5" | 128.4" | 130.4" | 132.4" | 134.3" | 136.3" | 138.3" | 140.2" | 142.2" | 144.2" | 146.1" | 148.1" |
| 150.1" | 152.0" | 154.0" | 156.0" | 158.0" | 159.9" | 161.9" | 163.9" | 165.8" | 167.8" | 169.8" | 171.7" |
| 173.7" | 175.7" | 177.6" | 179.6" | 181.6" | 183.5" | 185.5" | 187.5" | 189.4" | 191.4" | 193.4" | 195.4" |

COLOR CHANGING RGB LED NEON - 24V

Mini Square Profile / Side Bending / Silicone (SS49)

ANTI-WICKING FERRULE

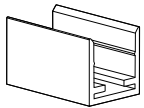


Standard on all LED Neon power feeds. Located 4-6" from the connector. Protects against water ingress and circuit board corrosion.

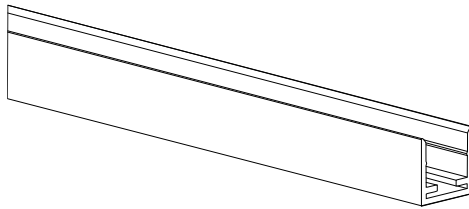
MOUNTING CHANNELS AND CLIPS (SOLD SEPARATELY)

NOTE: Leave a 0.5" to 1" gap between Neon power feed and mounting channel, to avoid undue stress on power feed cables.

ALUMINUM MOUNTING CHANNEL - SILVER ANODIZED

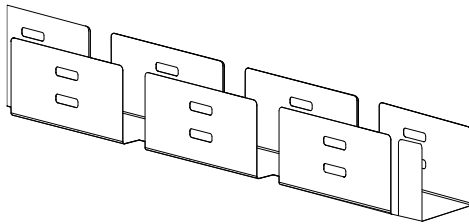


Mounting Clip
Recommended 2 clips every 12"
Part Number: LLI-NS49-MCL-1.5IN
Dimensions: 1.5" L x 0.58" H x 0.59" W



39" Mounting Channel
Part Number: LLI-NS49-EXT-39IN
Dimensions: 39" L x 0.58" H x 0.59" W

FLEXIBLE ALUMINUM MOUNTING CHANNEL - SILVER ANODIZED



20" or 39" Mounting Channel
Part Number: LLI-NS49-EXT-F-20IN
 LLI-NS49-EXT-F-39IN
Dimensions: 20" L x 0.53" H x 0.54" W
 39" L x 0.53" H x 0.54" W

COLOR CHANGING RGB LED NEON - 24V

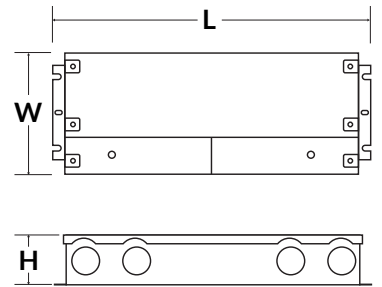
Mini Square Profile / Side Bending / Silicone (SS49)

POWER SUPPLY (SOLD SEPARATELY)

NON-DIMMABLE ELECTRONIC



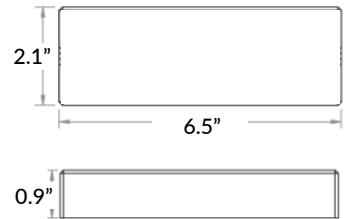
| PART NUMBER | CAPACITY | INPUT | OUTPUT | CLASS | LOCATION | L | W | H |
|----------------------------|----------|----------|--------|---------|----------|-------|------|-------|
| LLI-PS-NDE-030W-24V-KO | 30W | 100-277V | 24V | CLASS 2 | IP66 WET | 6.5" | 3.5" | 1.02" |
| LLI-PS-NDE-060W-24V-KO | 60W | 100-277V | 24V | CLASS 2 | IP66 WET | 7.4" | 3.5" | 1.2" |
| LLI-PS-NDE-096W-24V-KO | 96W | 100-277V | 24V | CLASS 2 | IP66 WET | 8.7" | 3.7" | 1.7" |
| LLI-PS-NDE-192W-24V-CL2-KO | 2x96W | 100-277V | 24V | CLASS 2 | IP66 WET | 10.9" | 4.1" | 1.9" |
| LLI-PS-NDE-200W-24V-KO | 200W | 100-277V | 24V | CLASS 1 | IP66 WET | 10.3" | 4.1" | 1.8" |
| LLI-PS-NDE-288W-24V-CL2-KO | 3x96W | 100-277V | 24V | CLASS 2 | IP66 WET | 11.9" | 4.1" | 1.9" |
| LLI-PS-NDE-300W-24V-KO | 300W | 100-277V | 24V | CLASS 1 | IP66 WET | 10.9" | 4.3" | 1.8" |



RF RECEIVER (SOLD SEPARATELY)

LLI-C-RCV-UR-RF-4CH

| | |
|--------------------------|---|
| CONTROLLER COMPATIBILITY | Compatible with all RF LLI-C-CTRL controllers. |
| LED COMPATIBILITY | Static Color, Tunable White & RGB(W) LEDs |
| CHANNELS | 4 Channel, 8 Amp |
| INPUT VOLTAGE | 12V / 24V (power supply not included) |
| CAPACITY | 12V - 96W, 24V - 192W |
| FEATURES | Can be controlled by up to (8) controllers Can be synchronized with unlimited receivers up to 320ft away |



COLOR CHANGING RGB LED NEON - 24V

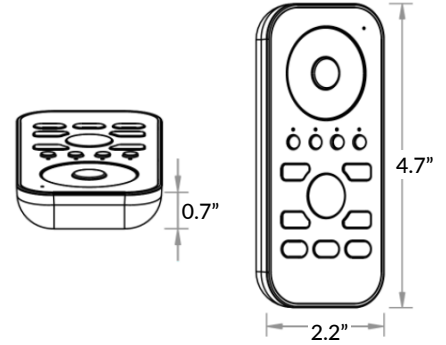
Mini Square Profile / Side Bending / Silicone (SS49)

RF CONTROLLERS (SOLD SEPARATELY)

REMOTE CONTROLLER

LLI-C-CTRL-RGBW-HH

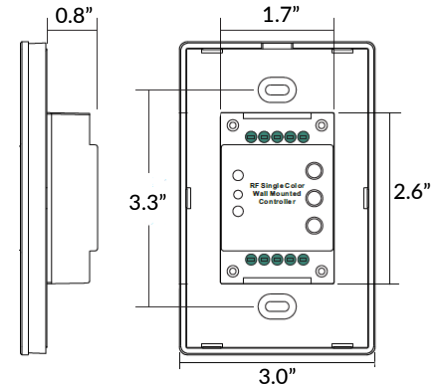
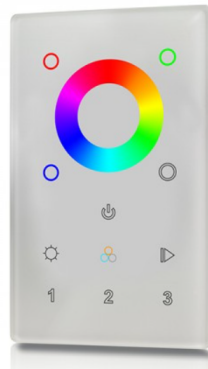
| | |
|------------------------|--|
| RECEIVER COMPATIBILITY | Compatible with Universal RF receivers |
| LED COMPATIBILITY | RGB(W) LEDs |
| INPUT VOLTAGE | Battery operated (3 AAA batteries not included) |
| FEATURES | Programmable up to 4 zones, 3 scenes Color adjustment Light intensity adjustment |



TOUCH PANEL WALL CONTROLLER

LLI-C-CTRL-RGBW-TP-WH

| | |
|------------------------|---|
| RECEIVER COMPATIBILITY | Compatible with Universal RF receivers |
| LED COMPATIBILITY | RGB(W) LEDs |
| INPUT VOLTAGE | 12V DC power supply required (not included) |
| FEATURES | Control range \geq 65ft Programmable up to 3 scenes 4 color presets Color adjustment Light intensity adjustment |



COLOR CHANGING RGB LED NEON - 24V

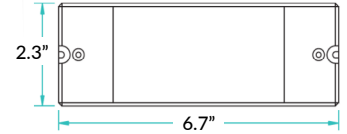
Mini Square Profile / Side Bending / Silicone (SS49)

DMX DECODERS (SOLD SEPARATELY)

DMX512 DECODER

LLI-C-DEC-DMX512-8A

| | |
|-----------------|---|
| LOCATION RATING | Indoor only |
| FUNCTION | Static color, variable white, RGB(W) LEDs |
| CHANNELS | 4 channel output, 8 Amp maximum 512 addressable DMX channels |
| CAPACITY | 12V - 96W maximum |
| | 24V - 192W maximum |
| COMPATIBILITY | Compatible with LLI-C-CTRL-DMX controllers |



POWER

Power supply not included. 12V/24V non-dimming power supply required.

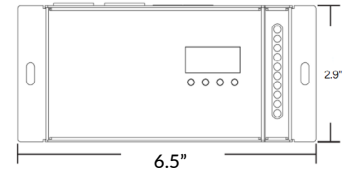
RDM DMX512 DECODER

LLI-C-DEC-DMX512-8A-RDM

| | |
|-----------------|--|
| OUTPUT | 8A maximum, 4 channels |
| LOCATION RATING | Indoor only |
| FUNCTION | RDM communication and PWM dimming for static white, static color, tunable white, and RGB(W) LEDs |
| CHANNELS | 4 channel output, 8 Amp maximum 512 addressable DMX channels |
| CAPACITY | 12V - 96W maximum |
| | 24V - 192W maximum |
| COMPATIBILITY | Compatible with LLI-C-CTRL-DMX controllers |



2.9"

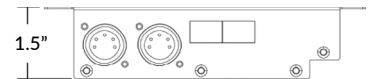


FEATURES

Can be controlled by up to eight (8) controllers. Can be synchronized with twenty (20) decoders.

POWER

Power supply not included. 12V/24V non-dimming power supply required.



COLOR CHANGING RGB LED NEON - 24V

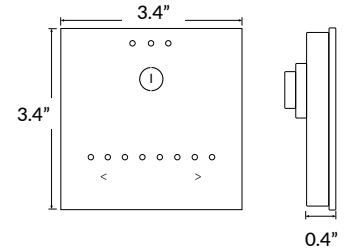
Mini Square Profile / Side Bending / Silicone (SS49)

DMX WALL CONTROLLERS (SOLD SEPARATELY)

STAND ALONE DMX WALL CONTROLLER, GU2

LLI-C-CTRL-DMX-STICK-GU2

| | |
|--------------------------|--|
| INCLUDED IN PACKAGE | Controller, CD-ROM, USB cable, connector block, power supply |
| OS/COMPUTER REQUIREMENTS | Mac OSx 10.6 or higher / Windows XP or higher, USB 2.0 port |
| PROGRAM SOFTWARE | Easy Stand Alone, ESA2 (included) |
| CONNECTIONS | Power (2 pins), DMX (3 pins), Port (2 pins), Micro-USB Port |
| MOUNTING | Single or double gang wall box |
| IP RATING | IP20 - dry locations only |



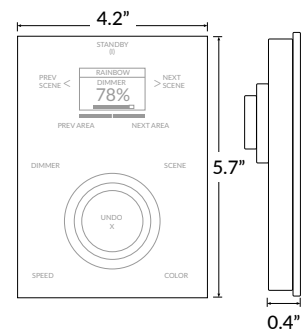
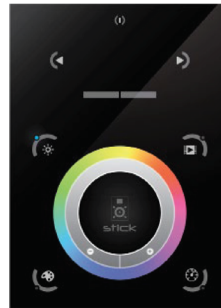
FEATURES

- Up to 24 dynamic or static scenes
- Wall mounted control panel with glass face, touch-sensitive buttons
- Programmable with included USB cable and software – no Ethernet or WiFi required

STAND ALONE DMX WALL CONTROLLER, DE3

LLI-C-CTRL-DMX-STICK-DE3

| | |
|--------------------------|---|
| INCLUDED IN PACKAGE | Controller, connector block, power supply |
| OS/COMPUTER REQUIREMENTS | Mac OSx 10.6 or higher / Windows XP or higher / iOS phone or tablet / Android phone or tablet |
| PROGRAM SOFTWARE | Easy Stand Alone, ESA2 (Mac/Windows) DMX Lightpad 3 App (iOS/Android) Easy Remote App (iOS/Android) |
| CONNECTIONS | Power/DMX - screw terminal and RJ45 compatible Memory - MicroSD slot Programming - MicroUSB port |
| POWER SUPPLY | 6VDC power supply (included) |
| MEMORY | MicroSD card (not included) |
| MOUNTING | Single or double gang wall box |
| IP RATING | IP20 - dry locations only |



FEATURES

- Multi-zone microSD memory
- Multi-room control with 500 scenes, 10 zones
- Integrated clock and calendar for scheduling events
- Touch-sensitive buttons
- USB and Ethernet connectivity for programming
- Windows/Mac software for programming dynamic effects
- iPhone/iPad/Android apps for remote control and program

COLOR CHANGING RGB LED NEON - 24V

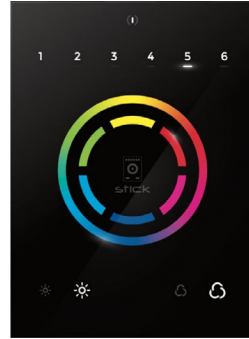
Mini Square Profile / Side Bending / Silicone (SS49)

DMX WALL CONTROLLERS (SOLD SEPARATELY)

STAND ALONE DMX WALL CONTROLLER, CW4

| | | | |
|---------------------------------|---|--|-----------------------|
| LLI-C-CTRL-DMX-STICK-CW4 | - | | FINISH |
| | | | BL Black glass |
| | | | WH White glass |

| | |
|--------------------------|---|
| INCLUDED IN PACKAGE | Controller, connector block, power supply, mini-USB cable, ESA2 software, ESA Pro2 Software |
| OS/COMPUTER REQUIREMENTS | Mac OSx 10.6 or higher / Windows XP or higher |
| PROGRAM SOFTWARE | Easy Stand Alone, ESA2 (Mac/Windows) |
| CONNECTIONS | Power/DMX - screw terminal and RJ45 Programming - miniUSB port |
| POWER SUPPLY | Requires 5-10VDC 0.6A power supply (included) |
| MEMORY | Integrated flash memory |
| MOUNTING | Single or double gang wall box |
| IP RATING | IP20 - dry locations only |



FEATURES

- Can be controlled directly from a computer, smartphone, or tablet
- Touch-sensitive buttons, glass face
- Up to 36 dynamic or static scenes
- 8 port triggers
- 1024 DMX channels control up to 340 RGB fixtures
- Windows/Mac software for programming dynamic effects
- Internal clock and calendar with sunrise/sunset triggering

