

DIMMABLE ELECTRONIC 0-10V LED DRIVER



- Constant voltage output
- 120V/277V input voltage
- Temperature protection with auto reset after cooling
- Short circuit protection
- Overload protection with auto reset
- Optimal performance dims to 0%*
- Compliant with IEEE Standard 1789-2015 for flicker free operation



TECHNICAL INFORMATION

*NOTES: For optimal performance recommended loading is 80%. Performance can be affected by driver loading and dimmer type. Maximum distance for 0-10V control wires is 300ft.

	INPUT	OUTPUT	WATTAGE	OPERATING TEMP	WEIGHT	CLASS	RATING
LLI-PS-DE010-030W-24V-KO	120/277V	24V	30W	Do not exceed 140° F	2.1 LBS	Class 2	IP66 Wet Location
LLI-PS-DE010-060W-24V-KO	120/277V	24V	60W	Do not exceed 140° F	2.4 LBS	Class 2	IP66 Wet Location
LLI-PS-DE010-096W-24V-KO	120/277V	24V	96W	Do not exceed 140° F	2.9 LBS	Class 2	IP66 Wet Location
LLI-PS-DE010-192W-24V-CL2-KO	120/277V	24V	192W (2 circuits, 96W each)	Do not exceed 140° F	4.9 LBS	Class 2	IP66 Wet Location
LLI-PS-DE010-200W-24V-KO	120/277V	24V	200W	Do not exceed 140° F	3.3 LBS	Class 1	IP66 Wet Location
LLI-PS-DE010-288W-24V-CL2-KO	120/277V	24V	288W (3 circuits, 96W each)	Do not exceed 140° F	4.9 LBS	Class 2	IP66 Wet Location
LLI-PS-DE010-300W-24V-KO	120/277V	24V	300W	Do not exceed 140° F	4.0 LBS	Class 1	IP66 Wet Location

PART NUMBER BUILDER / ORDERING GUIDE

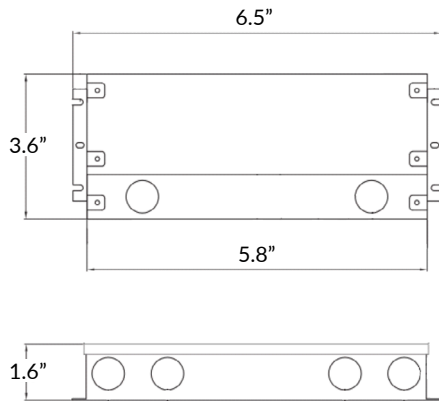
SERIES	WATTAGE	VOLTAGE	MULTI-TAP	KNOCKOUT
LLI-PS-DE010		24V		KO
	030W		CL2*	KO - pre-stamped knockouts
	060W			
	096W			
	192W*			
	200W			
	288W*			
	300W			

*CL2: 192W and 288W only.

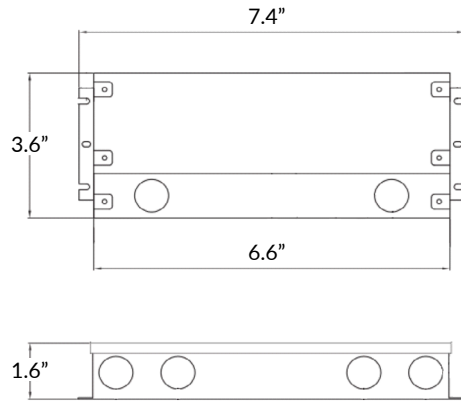
DIMMABLE ELECTRONIC 0-10V LED DRIVER

DIMENSIONS

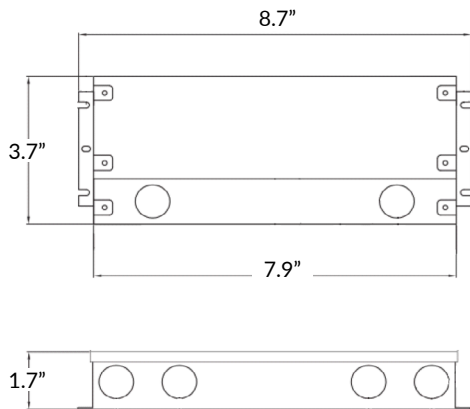
LLI-PS-DE010-030W



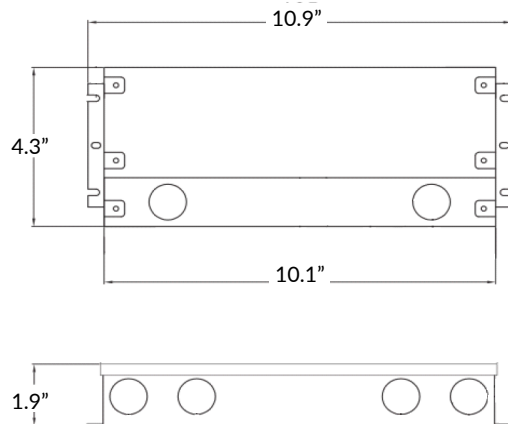
LLI-PS-DE010-060W



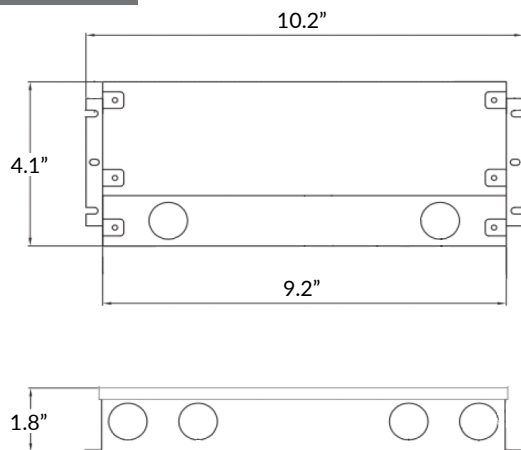
LLI-PS-DE010-096W



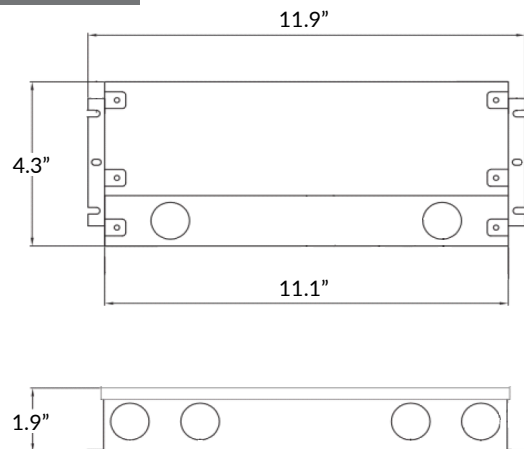
LLI-PS-DE010-192W



LLI-PS-DE010-200W



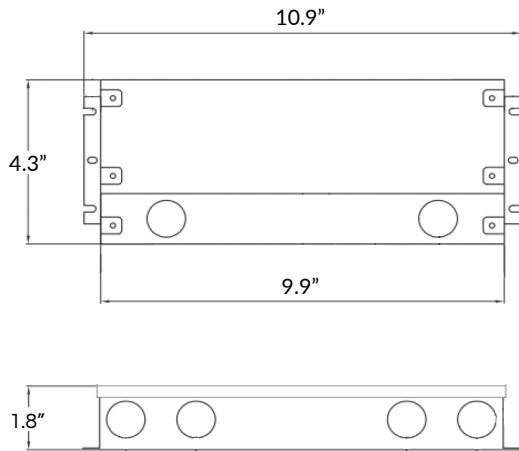
LLI-PS-DE010-288W



DIMMABLE ELECTRONIC 0-10V LED DRIVER

DIMENSIONS (CONTINUED)

LLI-PS-DE010-300W



WIRING DIAGRAM

all models

