

## SAFETY INFORMATION

- Read complete instruction.
- **WARNING:** These products may represent a potential shock or fire hazard if improperly installed or attached in any way. Products should be installed in accordance with these instructions, local electrical codes and the National Electric Code (NEC).
- LLIA's non-dimmable electronic power supplies are UL listed. Refer to specification sheet for IP rating.
- Non-dimmable electronic power supplies can NOT be used with a dimmer. Do not connect to a dimmer.
- Do not use if there is any damage to the unit or to the wiring/insulation. Inspect periodically.
- Ensure wires are in compliance with local electrical codes.
- The driver must be mounted in an area with at least 15 inches of free flow air space for ventilation.
- Do not install driver in hot environments or near heat-radiating objects.
- Ambient temperature should not exceed 110°F or 50°C.
- Recommended load is 80% for optimal performance and lifespan.

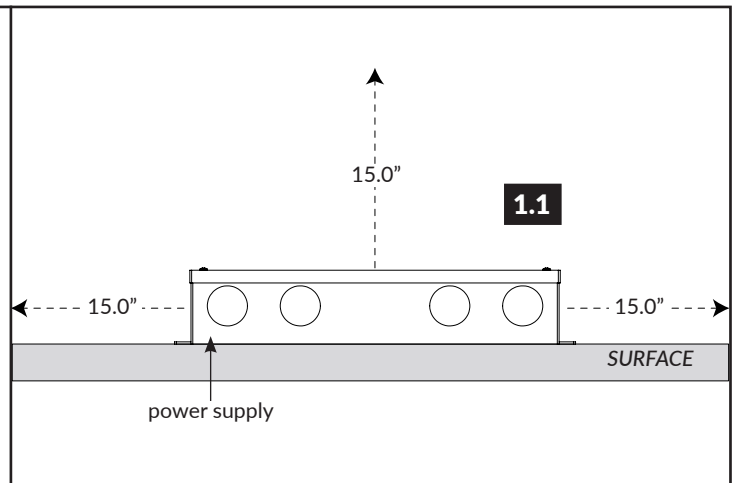
## Install the Power Supply

**1**

### INSTALLATION NOTES:

- Review all parts and quantities to confirm if all the necessary parts are available.
- Never install the power supply next to or above a heat radiated object.
- Ambient temperature should not exceed 110°F (59°C).
- Power supply can be mounted horizontal or vertical.

1.1 Power supply must be mounted with a minimum of at least 15" of free flowing air space all around the housing.

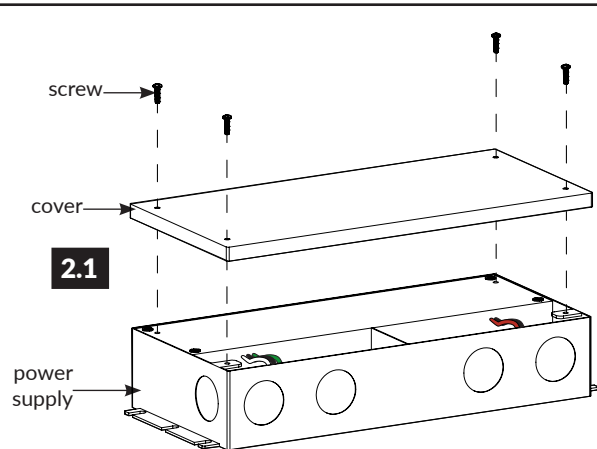


**2**

### INSTALLATION NOTES:

- For 600W models only, skip to wiring diagram to complete installation.

2.1 To access the wiring carefully loosen the screws from the top of the power supply then remove the cover.





### Install the Power Supply

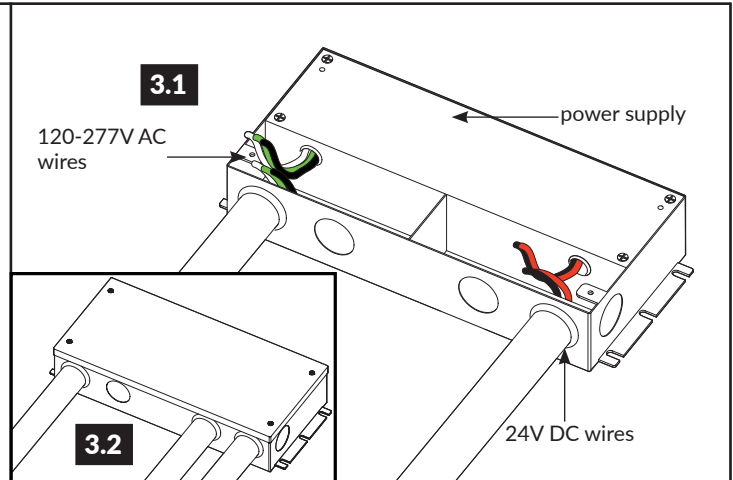
**3**

**INSTALLATION NOTES:**

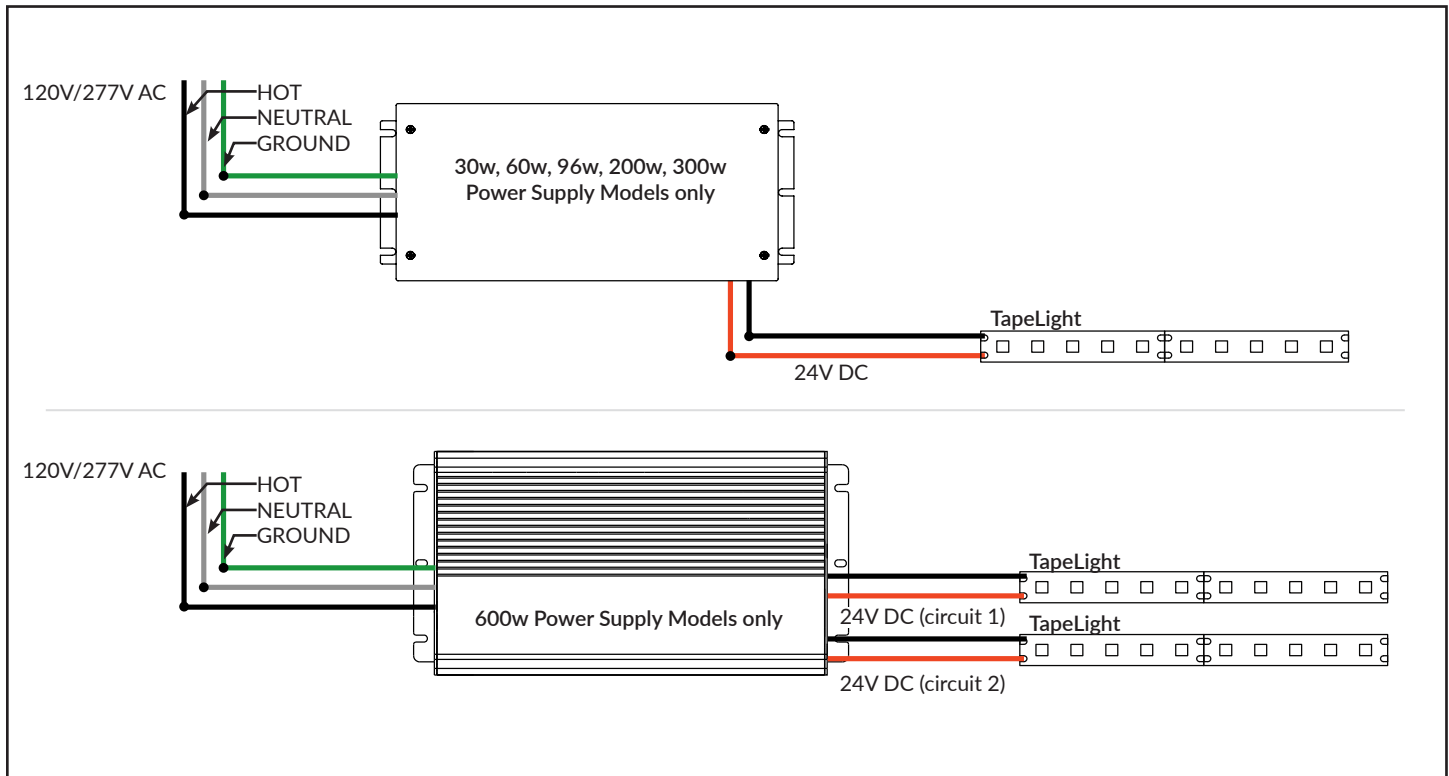
- Install power supply housing to the surface using the proper hardware.

3.1 Connect the 120-277V AC conduit into the power supply from the main electrical panel. Followed by the connecting the conduits from the dimmer & the 24V DC low voltage wires from the Tapelight to the power supply. Refer to the wiring diagram below to make all the proper wiring connections.

3.2 Place the power supply cover back onto the top of the power supply make sure not to nick any of the wires. Then replace the screws to secure.



### Typical Wiring Diagram



### Low Voltage Wire Gauge Chart

24V DC Voltage Drop and Wire Length (ft.) Distance Chart													
Power (W)	10W	20W	30W	40W	50W	60W	70W	80W	90W	100W	110W	120W	
Wire Gauge	#18	189'	94'	63'	47'	38'	31'	27'	24'	21'	19'	17'	16'
	#16	300'	149'	100'	76'	60'	50'	43'	37'	33'	30'	27'	25'
	#14	478'	238'	159'	120'	95'	79'	68'	60'	53'	48'	43'	40'
	#12	753'	274'	250'	189'	150'	125'	108'	94'	83'	75'	68'	63'
	#10	1205'	599'	400'	303'	240'	200'	172'	150'	133'	120'	109'	100'