



NON-DIMMABLE ELECTRONIC LED DRIVER



- Constant output voltage, 12V or 24V
- Non-dimming power supply
- Variable input voltage 100-277V
- Auto-reset breakers: Short circuit, overload, and thermal protection



TECHNICAL INFORMATION

NOTES: For optimal performance, recommended loading is 80%.

	INPUT	OUTPUT	WATTAGE	OPERATING TEMP.	CLASS	RATING
LLI-PS-NDE-030W-XXV-KO	100-277V	12V/24V	30W	Do not exceed 149° F	Class 2	IP66 - Wet Location
LLI-PS-NDE-060W-XXV-KO	100-277V	12V/24V	60W	Do not exceed 149° F	Class 2	IP66 - Wet Location
LLI-PS-NDE-096W-24V-KO	100-277V	24V	96W	Do not exceed 149° F	Class 2	IP66 - Wet Location
LLI-PS-NDE-100W-12V-KO	100-277V	12V	100W	Do not exceed 149° F	Class 1	IP66 - Wet Location
LLI-PS-NDE-192W-24V-CL2-KO	100-277V	24V	192W (2 circuits, 96W each)	Do not exceed 149° F	Class 2	IP66 - Wet Location
LLI-PS-NDE-200W-XXV-KO	100-277V	12V/24V	200W	Do not exceed 149° F	Class 1	IP66 - Wet Location
LLI-PS-NDE-288W-24V-CL2-KO	100-277V	24V	288W (3 circuits, 96W each)	Do not exceed 149° F	Class 2	IP66 - Wet Location
LLI-PS-NDE-300W-XXV-KO	100-277V	12V/24V	300W (12V: 2 circuits, 150W each)	Do not exceed 149° F	Class 1	IP66 - Wet Location
LLI-PS-NDE-600W-24V-KO	90-305V	24V	600W (2 circuits, 300W each)	Do not exceed 149° F	Class 1	IP67 - Wet Location

PART NUMBER BUILDER / ORDERING GUIDE

SERIES	WATTAGE	OUTPUT	MULTI-TAP	KNOCKOUT
LLI-PS-NDE				KO
	030W	12V	CL2*	KO - pre-stamped knockouts
	060W	24V		
	096W			
	100W			
	192W*			
	200W			
	288W*			
	300W			
	600W			

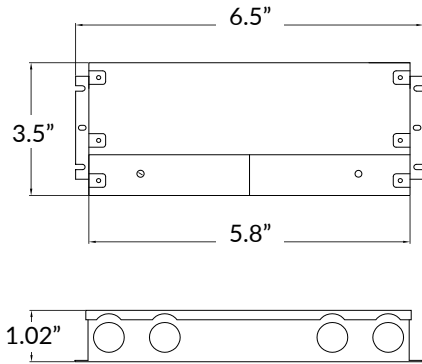
*CL2: 192W and 288W only.

NOTE: 096W, 192W, 288W, 600W versions not available with 12V output.
100W version not available with 24V output.

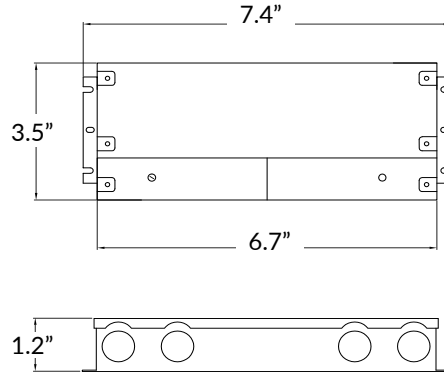
NON-DIMMABLE ELECTRONIC LED DRIVER

DIMENSIONS

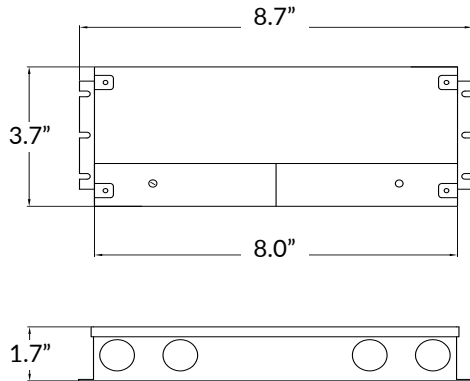
LLI-PS-NDE-030W-XXV-KO



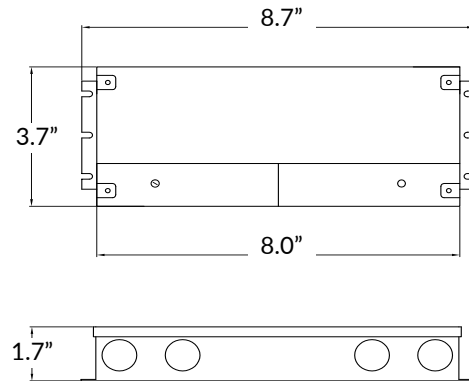
LLI-PS-NDE-060W-XXV-KO



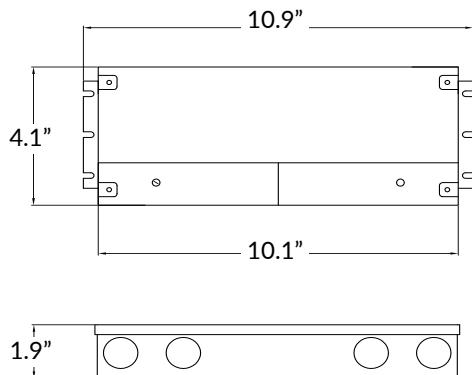
LLI-PS-NDE-096W-24V-KO



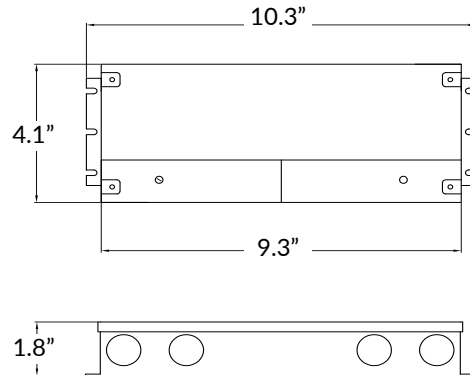
LLI-PS-NDE-100W-12V-KO



LLI-PS-NDE-192W-24V-CL2-KO



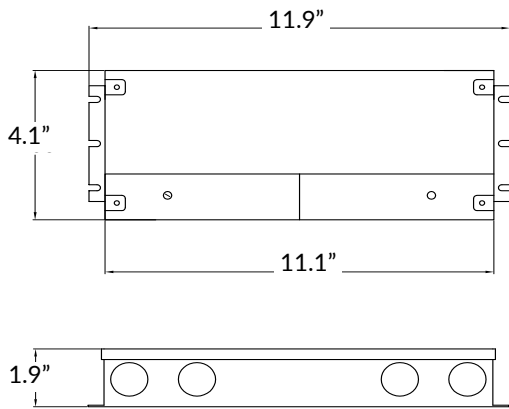
LLI-PS-NDE-200W-XXV-KO



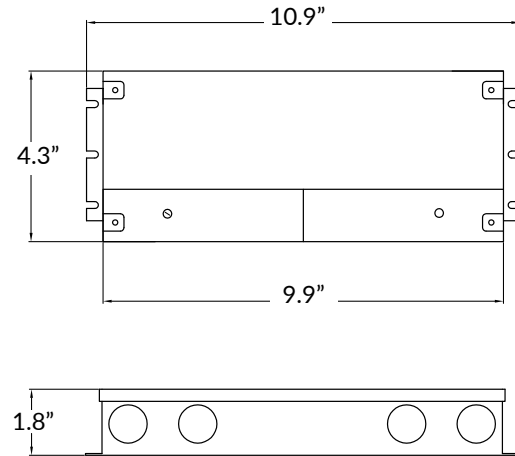
NON-DIMMABLE ELECTRONIC LED DRIVER

DIMENSIONS (CONTINUED)

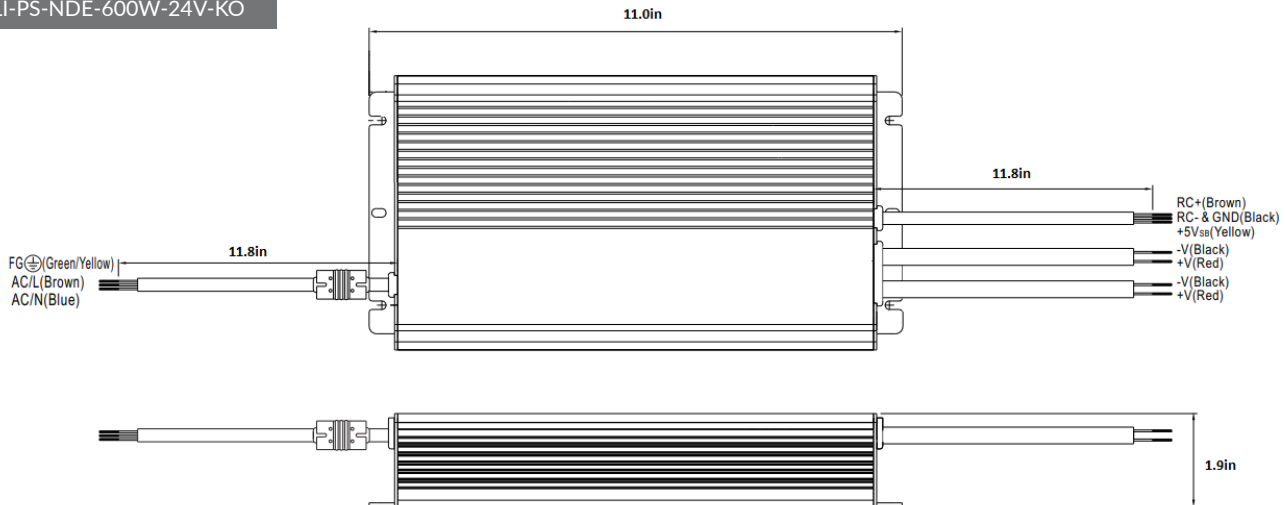
LLI-PS-NDE-288W-24V-CL2-KO



LLI-PS-NDE-300W-XXV-KO



LLI-PS-NDE-600W-24V-KO



WIRING DIAGRAM

all models

