

## UNIVERSAL DIMMABLE ELECTRONIC DRIVER (UDIMM)



- Universally compatible with TRIAC, ELV, MLV, and 0-10V dimmers (compatible with forward phase and reverse phase dimmers)\*
- High frequency, flicker free performance, no strobing effect\*
- Compliant with IEEE Standard 1789-2015
- TRIAC/ELV optimal performance dims to 2%\*
- 0-10V optimal performance dims to 0%\*
- Commercial grade housing with enclosure
- Variable input voltage, 100-277VAC
- Auto-reset breakers: Short circuit, overload, and thermal protection



### TECHNICAL INFORMATION

\*NOTES: Performance can be affected by dimmer type. Minimum load requirement is 10% of rated capacity. For optimal lifetime performance, recommended loading is 80% of rated capacity. Maximum distance for 0-10V control wires is 300ft.

	INPUT	OUTPUT	WATTAGE	OPERATING TEMP	WEIGHT	DIMENSIONS	CLASS	RATING
LLI-PS-UDIMM-030W-24V-KO	100V-277V	24V	30W	-40°F to 140°F	2.1 LBS	6.5"L x 3.7"W x 1.6"H	Class 2	IP66 Wet Location
LLI-PS-UDIMM-060W-24V-KO	100V-277V	24V	60W	-40°F to 140°F	2.4 LBS	7.4"L x 3.7"W x 1.6"H	Class 2	IP66 Wet Location
LLI-PS-UDIMM-096W-24V-KO	100V-277V	24V	96W	-40°F to 140°F	2.9 LBS	8.7"L x 3.7"W x 1.6"H	Class 2	IP66 Wet Location
LLI-PS-UDIMM-200W-24V-KO	100V-277V	24V	200W	-40°F to 140°F	4.0 LBS	10.2"L x 4.1"W x 1.8"H	Class 1	IP66 Wet Location
LLI-PS-UDIMM-300W-24V-KO	100V-277V	24V	300W	-40°F to 140°F	4.4 LBS	10.9"L x 4.3"W x 1.8"H	Class 1	IP66 Wet Location

### PART NUMBER BUILDER / ORDERING GUIDE

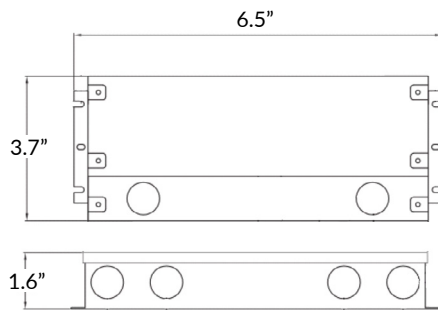
Example part number: LLI-PS-UDIMM-096W-24V-KO

SERIES	WATTAGE	VOLTAGE	ENCLOSURE
LLI-PS-UDIMM		24V	KO
	030W		KO - pre-stamped knockouts
	060W		
	096W		
	200W		
	300W		

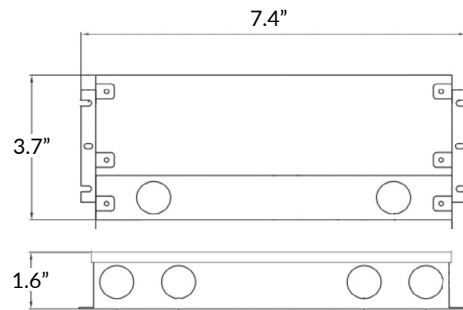
# UNIVERSAL DIMMABLE ELECTRONIC DRIVER (UDIMM)

## DIMENSIONS

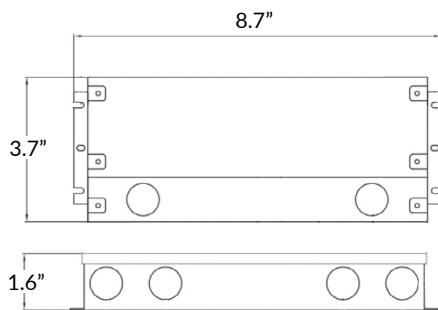
LLI-PS-UDIMM-030W-24V-KO



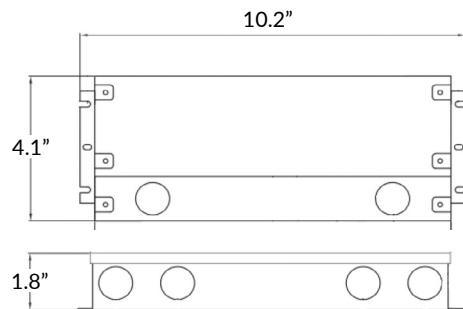
LLI-PS-UDIMM-060W-24V-KO



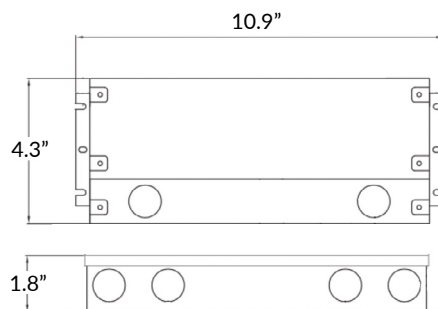
LLI-PS-UDIMM-096W-24V-KO



LLI-PS-UDIMM-200W-24V-KO



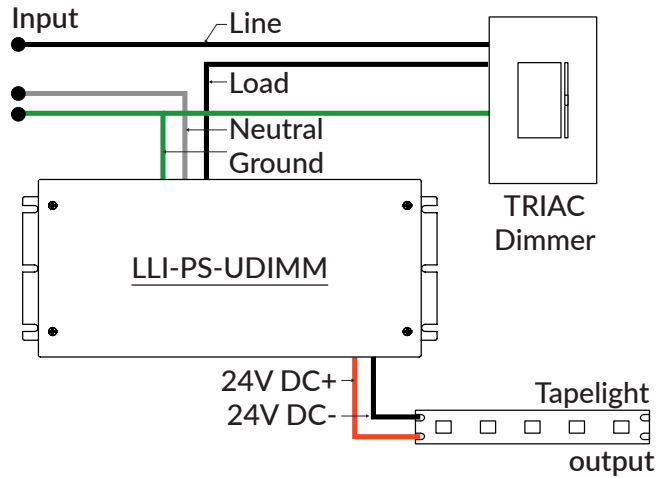
LLI-PS-UDIMM-300W-24V-KO



# UNIVERSAL DIMMABLE ELECTRONIC DRIVER (UDIMM)

## WIRING DIAGRAMS

TRIAC/ELV DIMMER DIAGRAM



0-10V/1-10V/POTENTIOMETER/PWM DIAGRAM

