

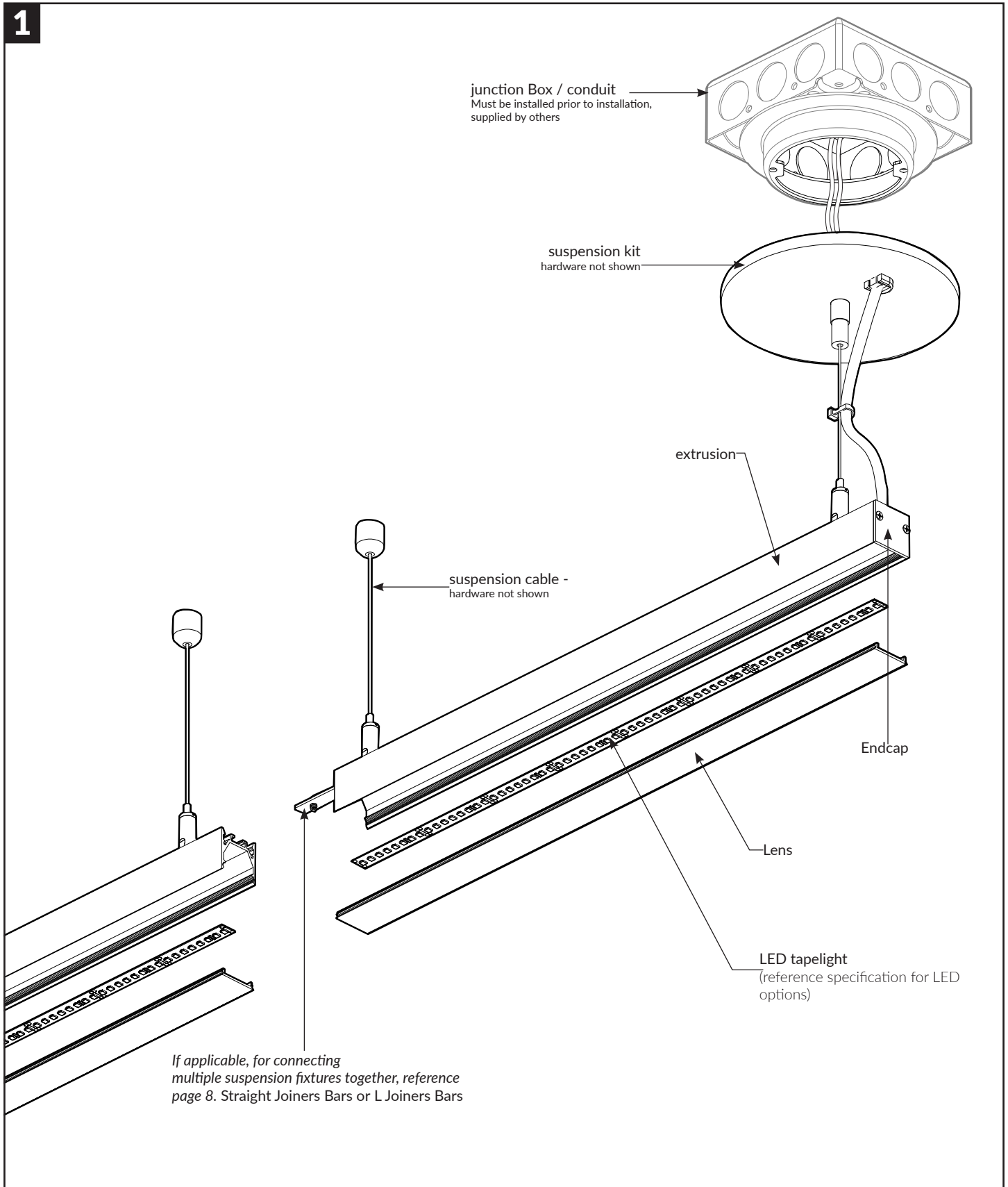
SAFETY INFORMATION

WARNING: Do not connect directly to high voltage power (120V-277V). Use only with 24V DC hardware. Factory warranty will be void if used otherwise.

- Read complete instruction.
- These products may represent a potential shock or fire hazard if improperly installed or attached in any way. Products should be installed in accordance with these instructions, local electrical codes and the National Electric Code (NEC).
- Do not energize LED tapelight when rolled up in its spool.
- Uncoated products are intended for indoor use in dry locations. Coated products are intended for outdoor use or in damp/wet locations. Refer to product spec sheet for location ratings.
- Do not use if there is any damage to the unit or to the wiring/insulation. Inspect periodically.
- Do not route cords or LED tapelight through walls, doors, windows or any similar part of a building structure.
- Do not secure LED tapelight or its power cord with staples, nails, or any other sharp objects that may cause damage. Mounting adhesive is available (sold separately).
- Do not install LED tape closer than 6" to combustible material.
- Ensure proper gauge wires are installed between Power Supplies, Controls & LED tapelight to avoid voltage drop.
- Ensure applicable wires are in compliance with local codes (In-wall rated, wet-location, high temperature, etc.).
- Recommended load for power supplies is 80%.

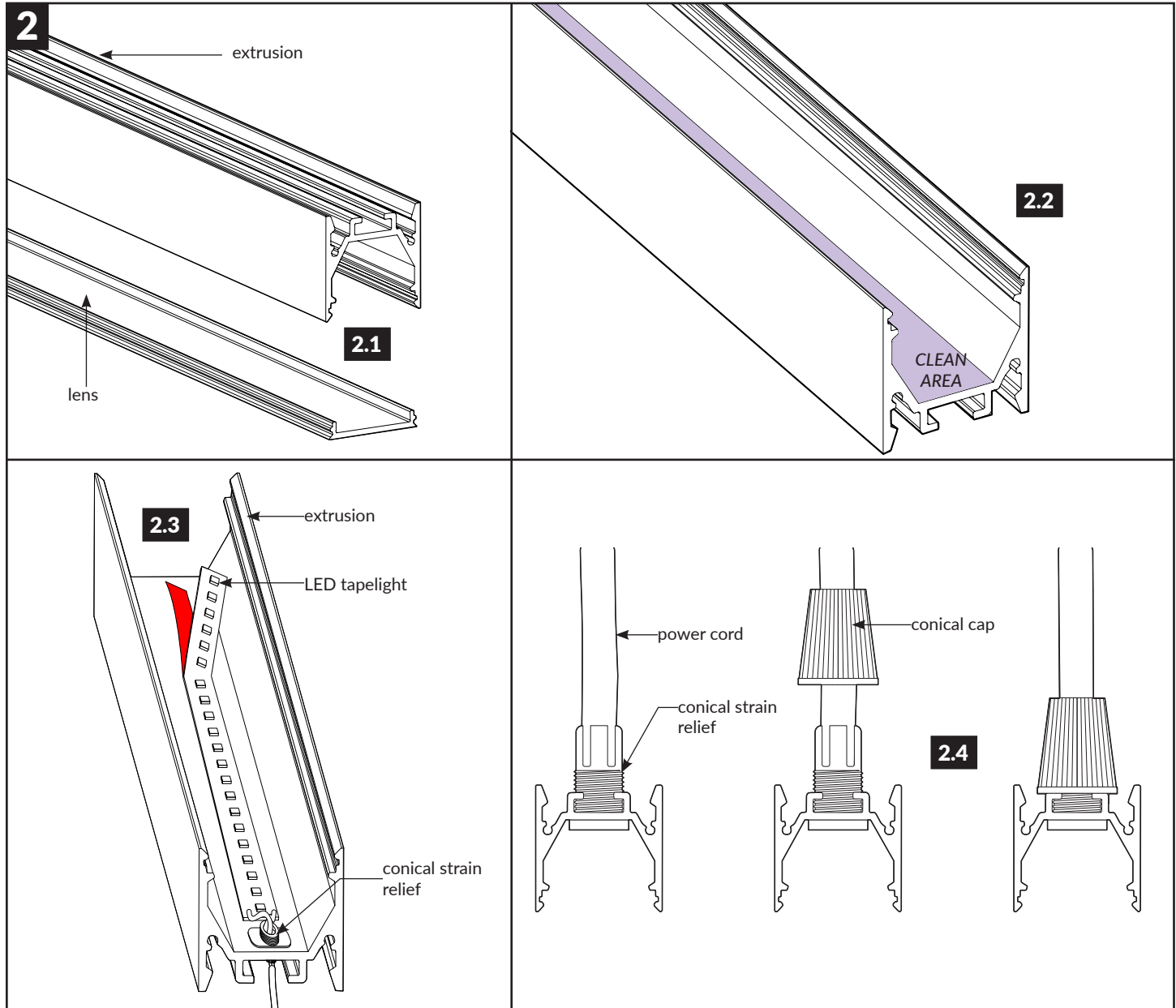


PARTS LIST - Make sure to have all components listed below for proper installation.





Assemble Parts Together - Reference details below to properly assemble components together.



2.1 Carefully remove the lens from the extrusion.

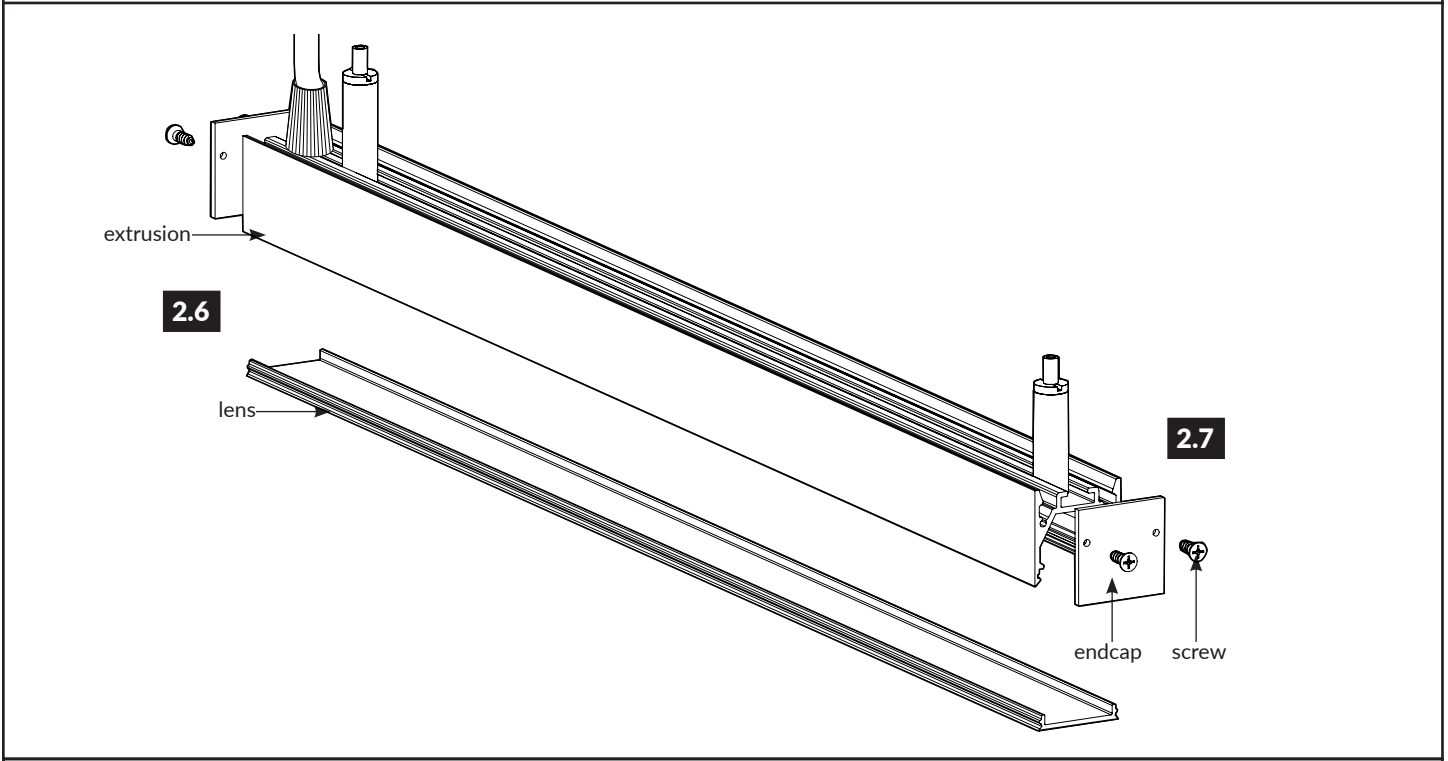
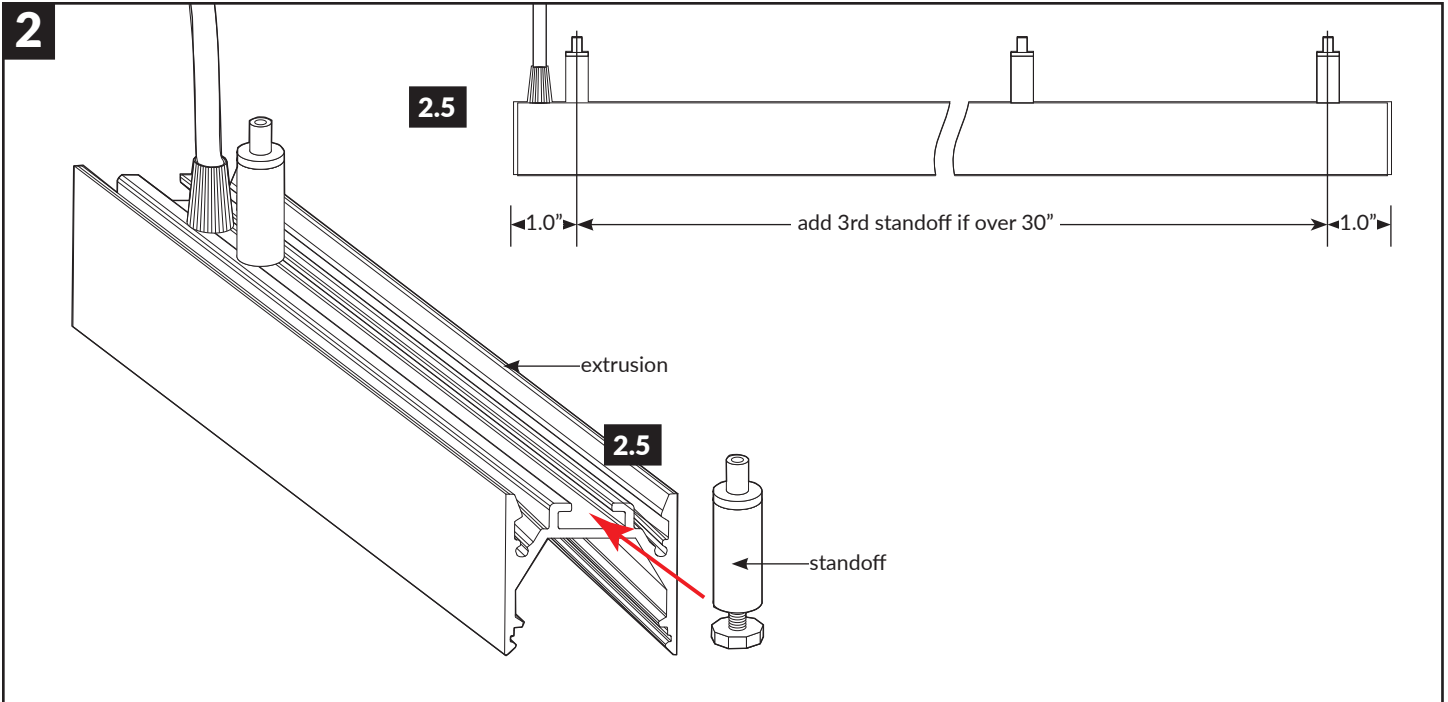
2.2 Place the extrusion on its back, followed by cleaning the inside of the extrusion to remove any small debris or dust.

2.3 Remove the red adhesive backing from the LED tapelight, then carefully apply the LED tapelight to the inside of the extrusion. Make sure the wire leads are installed to the same side as the conical strain relief. LED configuration may look different depending on LED tapelight.

2.4 Slide the wire leads into the conical strain relief. Followed by sliding the conical cap down the power cord then hand tighten to secure.



Assemble Parts Together - Continued from page 3



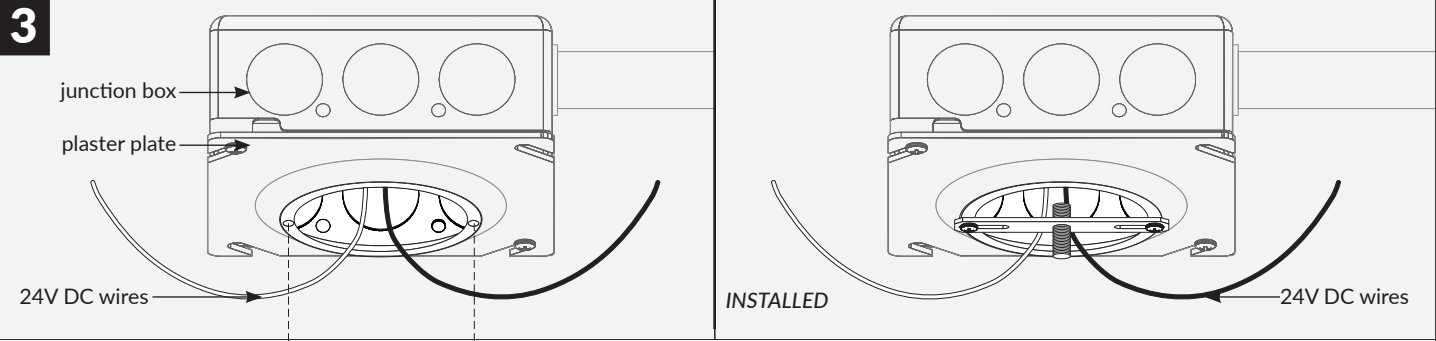
2.5 Slide each standoff into the center groove of the extrusion, 1" from each end. Tighten each standoff by hand so it is securely attached to the extrusion. If the extrusion is over 30" long, a 3rd standoff is needed at the center of the extrusion.

2.6 Align and center the lens to the bottom of extrusion, then snap completely into the extrusion to secure.

2.7 Align each endcap to the end of the extrusion then secure using the 2 screws per endcap.

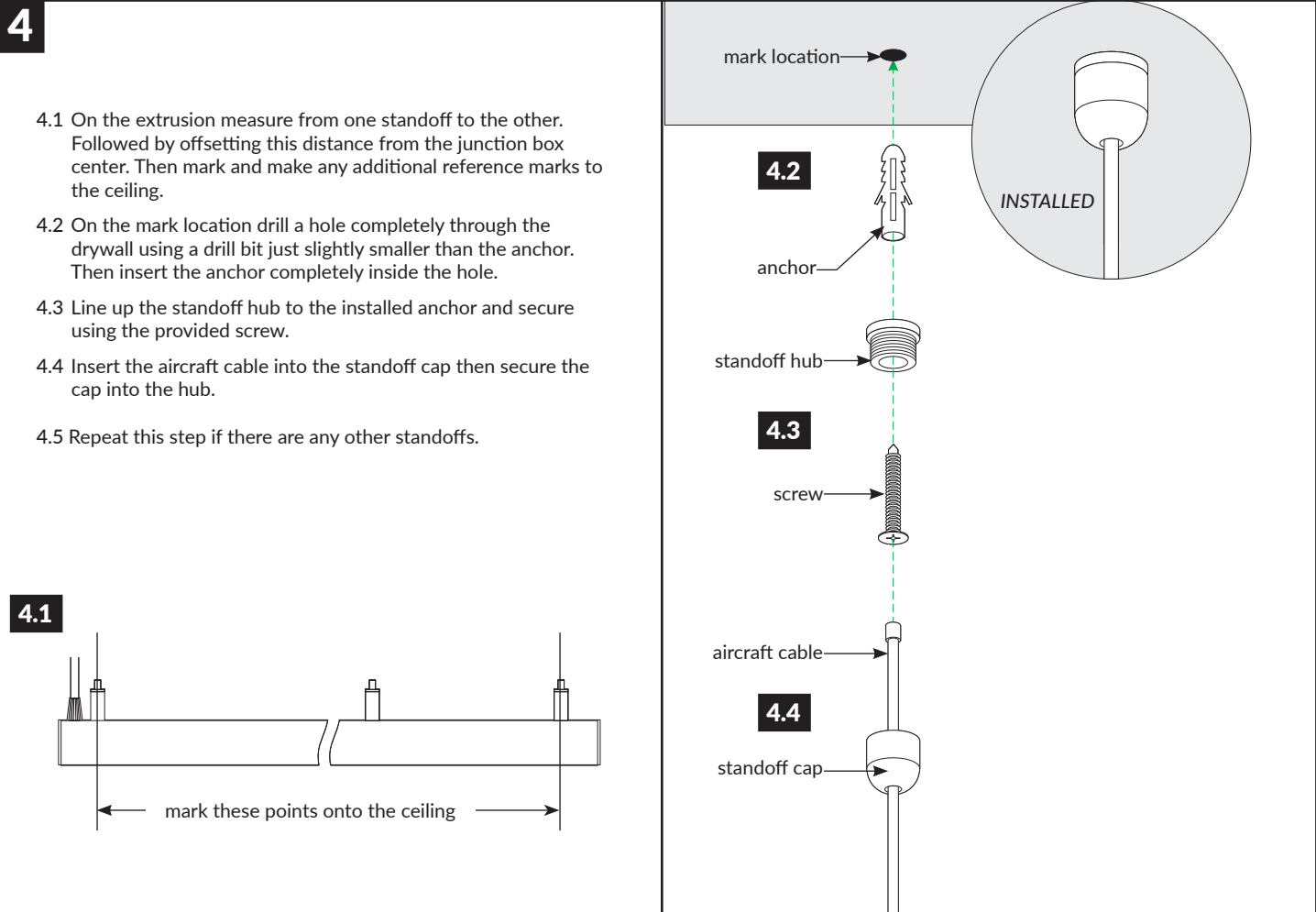


Install to Ceiling - Secure to Ceiling & Connect to Power



WARNING: Do not connect 24V DC wires directly to high voltage power (120V-277V). Factory warranty will be void if used otherwise.

3.1 Align the crossbar assembly to the junction box plaster plate holes and secure using two #8-32 screws. Be careful not to pinch power wires between the crossbar assembly.



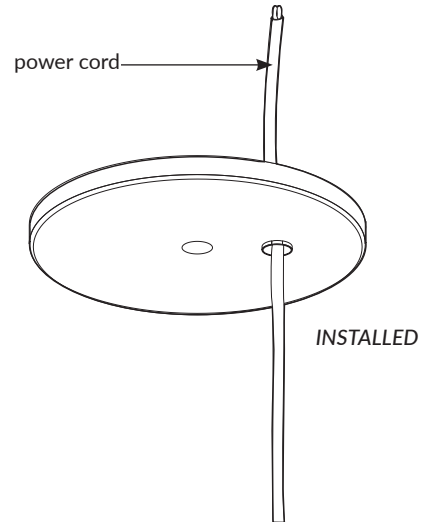
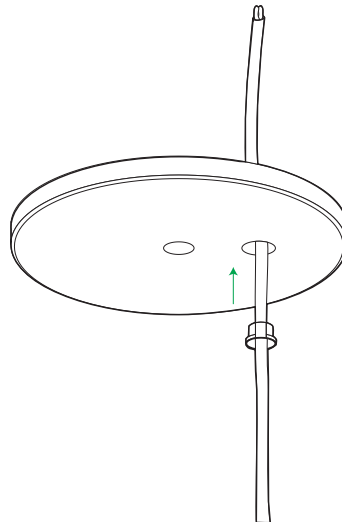
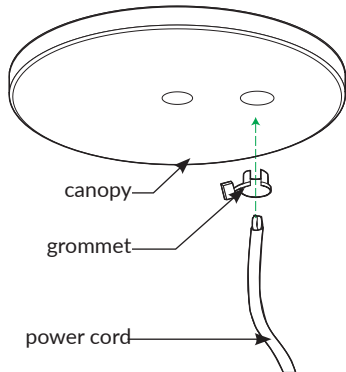
- 4.1 On the extrusion measure from one standoff to the other. Followed by offsetting this distance from the junction box center. Then mark and make any additional reference marks to the ceiling.
- 4.2 On the mark location drill a hole completely through the drywall using a drill bit just slightly smaller than the anchor. Then insert the anchor completely inside the hole.
- 4.3 Line up the standoff hub to the installed anchor and secure using the provided screw.
- 4.4 Insert the aircraft cable into the standoff cap then secure the cap into the hub.
- 4.5 Repeat this step if there are any other standoffs.



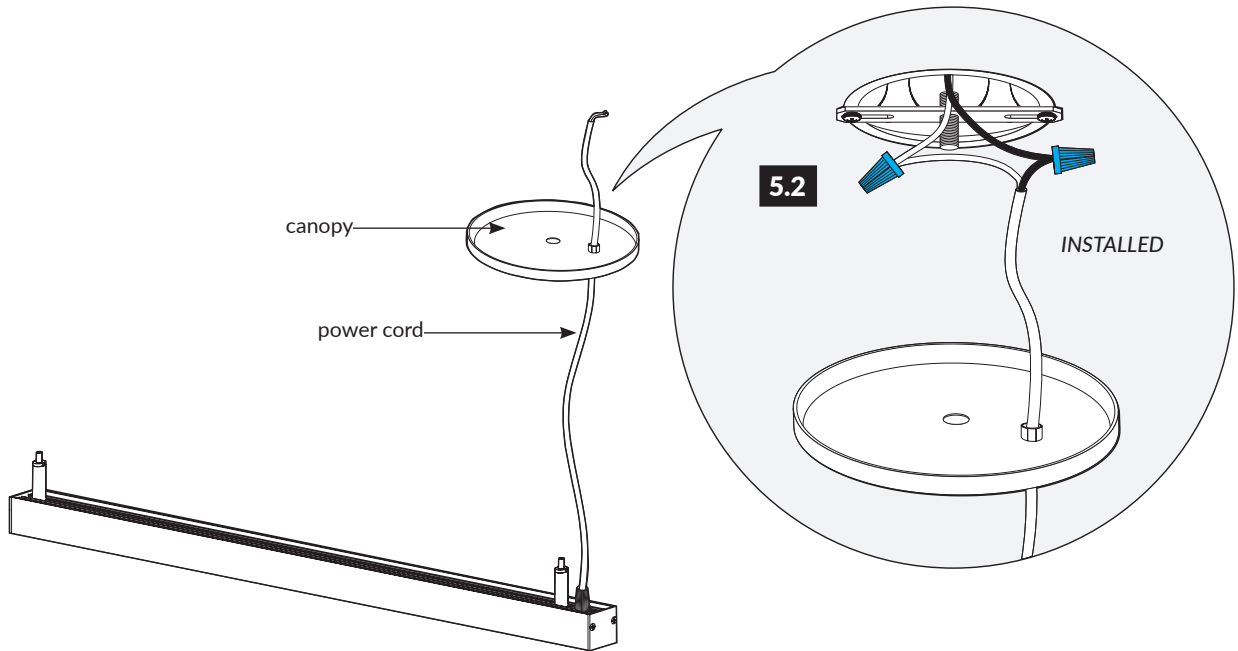
Install to Ceiling - Secure & Connect to Power, continued from page 5.

5

5.1



5.2



5.1 Slide the power cord into the grommet, followed by closing the grommet and feeding completely into the canopy. Fixture length must be known at this time to avoid having to wind back on installation.

5.2 While someone is holding the extrusion, the electrician can make the connection in accordance with local & national electrical codes. For additional information reference the power supply instruction.



Install to Ceiling - Secure & Connect to Power, continued from page 5.

6

6.1 Feed the canopy aircraft cable into the aircraft housing and cap.

6.2 Place all the wires and connections into the junction box, then cover the junction box with the canopy. Tighten the aircraft housing to the crossbar threaded post then secure with the cap.

7

7.1 Feed each aircraft cable into the standoff.

7.2 Using a level make sure fixture is straight, if uneven either insert more aircraft cable into the standoff, or push down on standoff and pull out more aircraft cable.

7.3 Insert safety aircraft strain relief all the way up to the strain relief, followed by tightening the screw. Then cut all excess aircraft cable using metal snips or pliers.

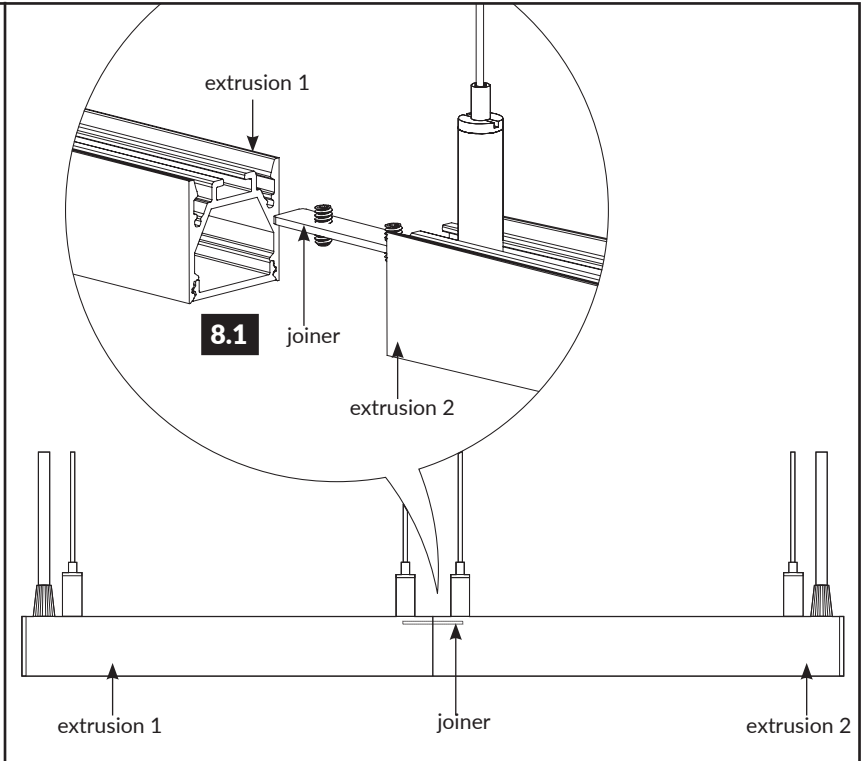
7.4 Using the provided cable tie, wrap the power cord to the aircraft cable.



Joining Multiple Extrusions Together

8

8.1 Insert both of the joiners halfway into one of extrusions. Then secure from the inside of the extrusion using the provided hex key. Then feed the other extrusion completely onto the joiners and secure by tightening the set screws from inside the extrusion. If joining additional extrusion repeat this step.



Low Voltage Wire Gauge Chart

24V DC Voltage Drop and Wire Length (ft.) Distance Chart

Power (W)	10W	20W	30W	40W	50W	60W	70W	80W	90W	100W	110W	120W	
Wire Gauge	#18	189'	94'	63'	47'	38'	31'	27'	24'	21'	19'	17'	16'
	#16	300'	149'	100'	76'	60'	50'	43'	37'	33'	30'	27'	25'
	#14	478'	238'	159'	120'	95'	79'	68'	60'	53'	48'	43'	40'
	#12	753'	274'	250'	189'	150'	125'	108'	94'	83'	75'	68'	63'
	#10	1205'	599'	400'	303'	240'	200'	172'	150'	133'	120'	109'	100'

Typical Wiring Diagram

