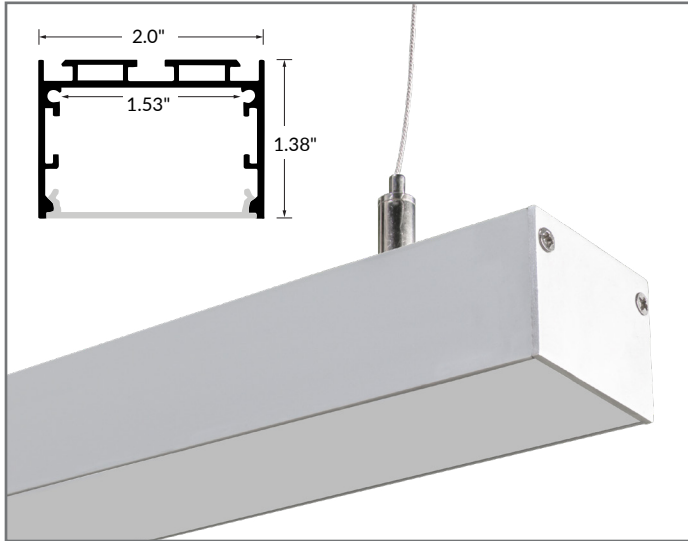




ICON 2 SUSPENDED EXTRUSION



QUICK SPECIFICATIONS

BODY MATERIAL	Double anodized aluminum
LENS MATERIAL	Polycarbonate
MAX. LED TAPE WIDTH	Accommodates tapes up to 1.53" wide
DIMENSIONS	2.0" W x 1.38" H

FINISH

Standard finish is silver anodized.

Custom finishes available for any RAL #.
Additional price and MOQ may apply.

ACCESSORIES

Four (4) endcaps included. Three (3) 96" suspension cables included with 48IN and 94IN extrusions.
Additional endcaps and cables sold separately.
Power canopy kit and LED tapelight sold separately.

PART NUMBER BUILDER / ORDERING GUIDE





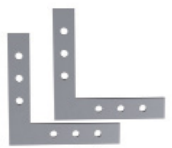
Example part number: LLI-S-IC2-SA-F-48IN

SERIES	FINISH	LENS	LENGTH
LLI-S-IC2	SA	F	<input type="text"/>
	SA Silver Anodized	F Frosted	(enter custom length in inches, up to 94")
			48IN 48" section
			94IN 94" section

CORNERS (SOLD SEPARATELY. SCREWS AND JOINER BARS INCLUDED, PREASSEMBLED.)

				
T CORNER	X CORNER	90° INSIDE CORNER	90° OUTSIDE CORNER	90° FLAT CORNER
LLI-XS-IC2-TEE-12IN	LLI-XS-IC2-CROSS-12IN	LLI-XS-IC2-90D-INT-6IN	LLI-XS-IC2-90D-OUT-6IN	LLI-XS-IC2-90D-FLT-6IN
Dimensions: 12" L x 6" L	Dimensions: 12" L x 12" L	Dimensions: 6" L x 6" L	Dimensions: 6" L x 6" L	Dimensions: 6" L x 6" L

ACCESSORIES

				
SUSPENSION CABLE	POWER CANOPY KIT	ENDCAPS	JOINER BARS	L JOINER BARS
LLI-IC2-SUSP-96IN	LLI-SUSP-CANOPYKIT-WH-96IN	LLI-XS-IC2-EC	LLI-XS-IC2-JBAR-180	LLI-XS-IC2-JBAR-90F
3 cables included with 48IN and 94IN extrusions; extra sold separately Cable length: 96"	1 power canopy kit required per tapelight run, sold separately Canopy: 5" diameter, White finish Cable length: 96"	(Screws included)	(Screws and hex wrench included)	(Screws and hex wrench included)