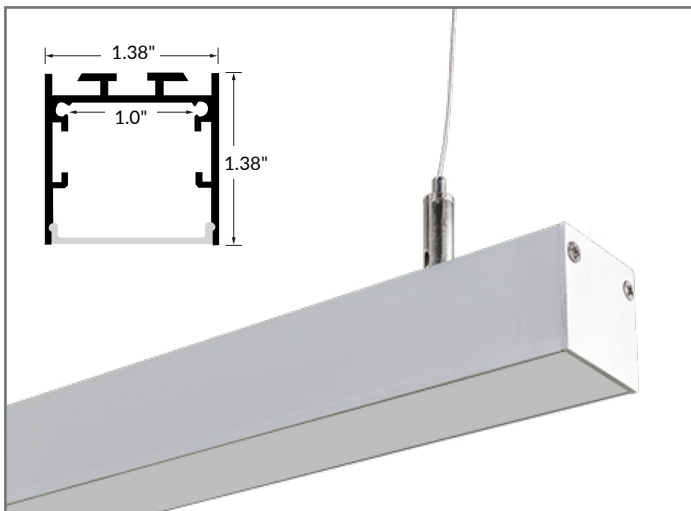




# ICON SUSPENDED EXTRUSION



## QUICK SPECIFICATIONS

BODY MATERIAL	Double anodized aluminum
LENS MATERIAL	Polycarbonate
MAX. LED TAPE WIDTH	Accommodates tapes up to 0.95" wide
DIMENSIONS	1.38" W x 1.38" H

### FINISH

Standard finish is silver anodized.

Custom finishes available for any RAL #.  
Additional price and MOQ may apply.

### ACCESSORIES

Four (4) endcaps included. Three (3) 96" suspension cables included with 48IN and 94IN extrusions.  
Additional endcaps and cables sold separately.  
Power canopy kit and LED tapelight sold separately.

## PART NUMBER BUILDER / ORDERING GUIDE

Example part number: LLI-S-ICN-SA-F-48IN

SERIES	FINISH	LENS	LENGTH
LLI-S-ICN	SA		
	SA Silver Anodized	F Frosted C Clear	(enter custom length in inches, up to 94") 48IN 48" section 94IN 94" section

## CORNERS (SOLD SEPARATELY. SCREWS AND JOINER BARS INCLUDED, PREASSEMBLED.)

<b>T CORNER</b>	<b>X CORNER</b>	<b>90° INSIDE CORNER</b>	<b>90° OUTSIDE CORNER</b>	<b>90° FLAT CORNER</b>
<b>LLI-XS-ICN-SF-TEE-12IN</b>	<b>LLI-XS-ICN-SF-CROSS-12IN</b>	<b>LLI-XS-ICN-SF-90D-INS-6IN</b>	<b>LLI-XS-ICN-SF-90D-OUT-6IN</b>	<b>LLI-XS-ICN-SF-90D-FLT-6IN</b>
Dimensions: 12" L x 6" L	Dimensions: 12" L x 12" L	Dimensions: 6" L x 6" L	Dimensions: 6" L x 6" L	Dimensions: 6" L x 6" L

## ACCESSORIES

<b>SUSPENSION CABLE</b>	<b>POWER CANOPY KIT</b>	<b>ENDCAPS</b>	<b>JOINER BARS</b>	<b>L JOINER BARS</b>
<b>LLI-ICN-SUSP-96IN</b>	<b>LLI-SUSP-CANOPYKIT-WH-96IN</b>	<b>LLI-XS-ICN-EC</b>	<b>LLI-XS-ICN-JBAR-180</b>	<b>LLI-XS-ICN-JBAR-90F</b>
3 cables included with 48IN and 94IN extrusions; extra sold separately Cable length: 96"	1 power canopy kit required per tapelight run, sold separately Canopy: 5" diameter, White finish Cable length: 96"	(Included, with screws)	(Sold separately. Screws and hex wrench included)	(Sold separately. Screws and hex wrench included)