

## SAFETY INFORMATION

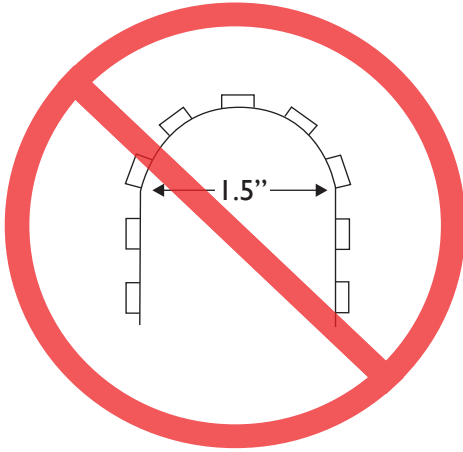
**WARNING:** Do not connect directly to high voltage power (120V-277V). Use only with 24V DC hardwire or plug-in power supply. Factory warranty will be void if used otherwise.

- Read complete instruction.
- These products may represent a potential shock or fire hazard if improperly installed or attached in any way. Products should be installed in accordance with these instructions, local electrical codes and the National Electric Code (NEC).
- Do not energize LED tapelight when rolled up in its spool.
- Uncoated products are intended for indoor use in dry locations. Coated products are intended for outdoor use or in damp/wet locations. Refer to product spec sheet for location ratings.
- Do not use if there is any damage to the unit or to the wiring/insulation. Inspect periodically.
- Do not route cords or LED tapelight through walls, doors, windows or any similar part of a building structure.
- Do not secure LED tapelight or its power cord with staples, nails, or any other sharp objects that may cause damage.
- Do not install LED tapelight closer than 6" to combustible material.
- Ensure proper gauge wires are installed between Power Supplies, Controls & LED tapelight to avoid voltage drop.
- Ensure applicable wires are in compliance with local codes (In-wall rated, wet-location, high temperature, etc.).
- Recommended load for power supplies is 80%.

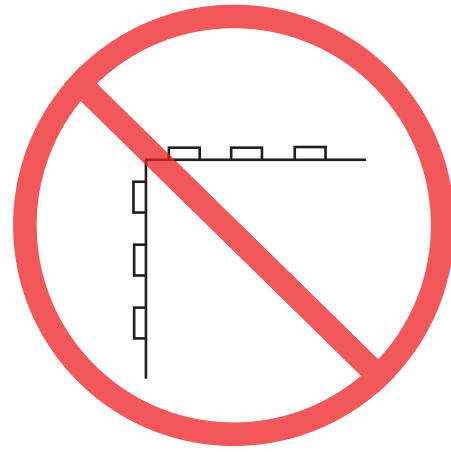
### ✓ required components to complete installation

- LED Tapelight
- Connectors (if applicable)
- Extrusion / Lens
- 24V DC Power Supply

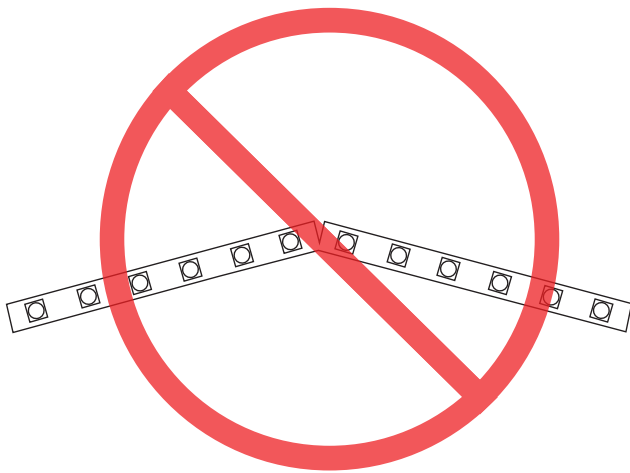
## Tapelight DO-NOT basics



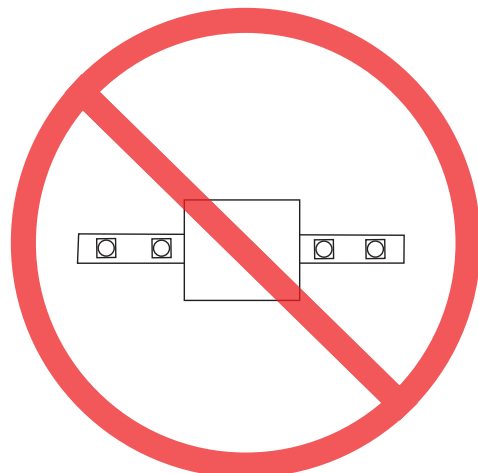
**1.5" MINIMUM BEND RADIUS**



**DO NOT FOLD OR CREASE  
LED TAPELIGHT**



**DO NOT BEND LED  
TAPELIGHT SIDE TO SIDE**



**DO NOT COVER LED  
TAPELIGHT OR APPLY EXCESS  
PRESSURE TO LED TAPE**

**INSTALLATION NOTES:**

- Reference either the Hardwire or the Gripper Connect steps to install the Tapelight properly.

## Install the Hardwired Tapelight

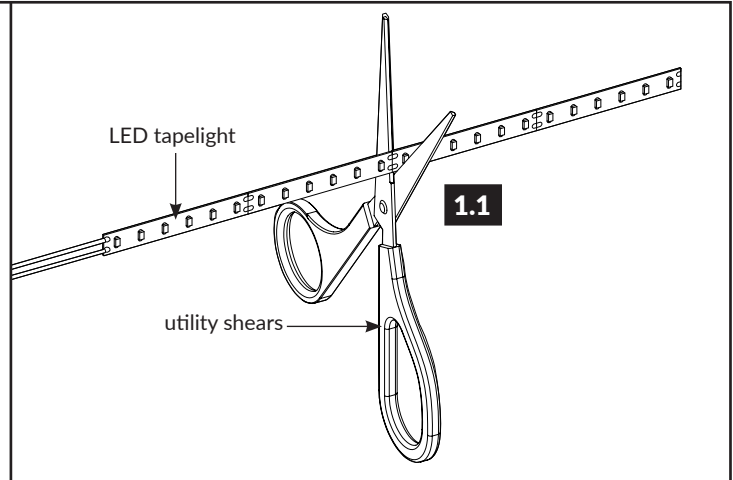
**1**

**INSTALLATION NOTES:**

- Review all the parts and quantities to confirm if all the necessary parts are available.
- LED tapelight can only be cut at specific points. It is essential to dryfit your entire assembly to the cut point of your LED tapelight before routing/cutting out the mounting surface.

**CAUTION:** Use the proper safety equipment when making any modification to LED tapelight

- 1.1 If shortening the LED tapelight, Cut along the cut marks that are in between the solder pads using utility shears.

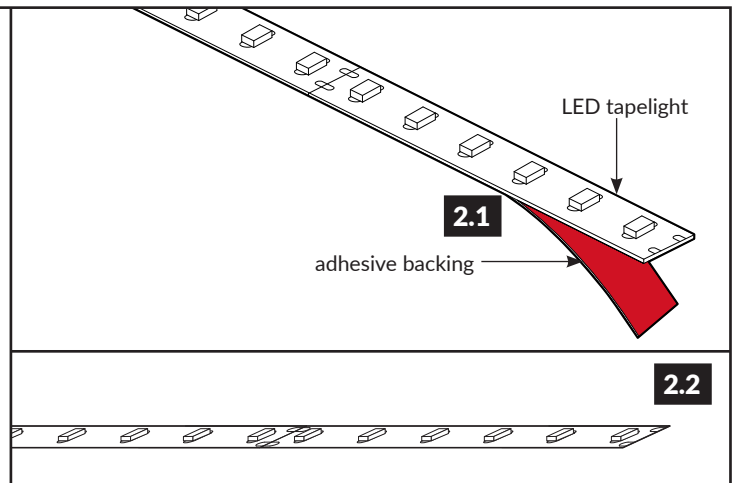


**2**

**INSTALLATION NOTES:**

- Make sure not to cut the side of the tapelight with lead wires.

- 2.1 Remove the red adhesive backing from the LED tapelight.
- 2.2 Carefully press the LED tapelight to the mounting surface.  
*If installing to a specific extrusion reference that installation for more details.*
- 2.3 Make the wiring connections in accordance with local & national electrical codes. *For additional information reference the power supply instruction. General wiring diagram on page 5.*



## Install the Gripper Connect

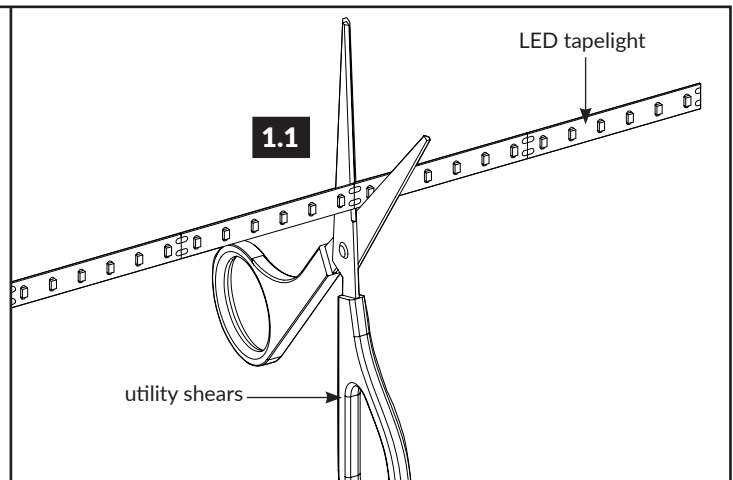
**1**

**INSTALLATION NOTES:**

- Review all the parts and quantities to confirm if all the necessary parts are available.
- LED tapelight can only be cut at specific points. It is essential to dryfit your entire assembly to the cut point of your LED tapelight before routing/cutting out the mounting surface.

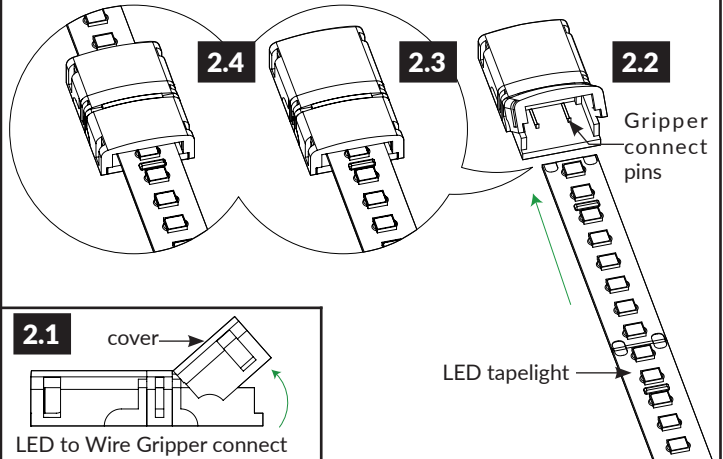
**CAUTION:** Use the proper safety equipment when making any modification to LED tapelight

- 1.1 Shorten the LED tapelight to the desired length. Cut along the cut marks that are in between the solder pads using utility shears.



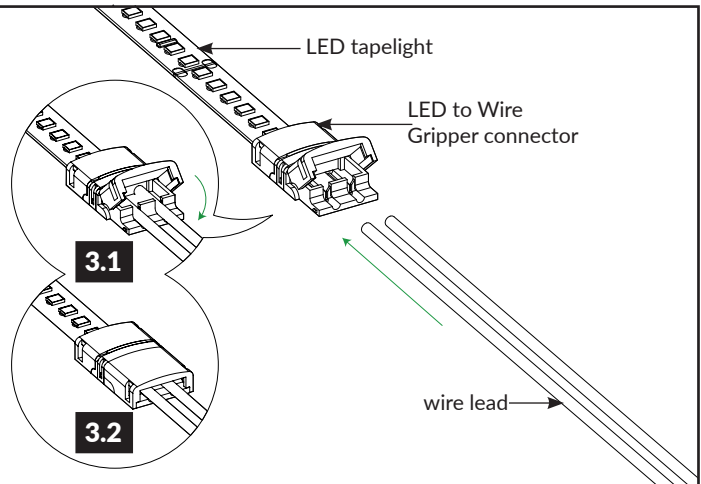
**2**

- 2.1 Carefully open the cover to the Gripper connect.
- 2.2 Insert the LED tapelight into the Gripper connect. Make sure the LED tapelight solder pads are sitting over the Gripper connect pins.
- 2.3 Close the cover completely through the tapelight, if necessary use pliers.
- 2.4 Repeat these steps if using the LED to LED Gripper connect.



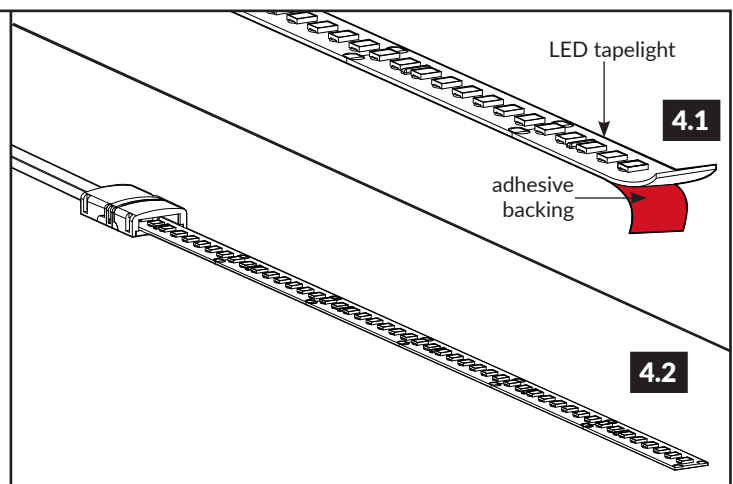
**3**

- 3.1 Carefully open the wire cover on the LED to Wire Gripper connect.
- 3.2 Insert two 18 or 22 AWG wire lead into the contact slots. Followed by closing the cover, if necessary use pliers. *Make sure the wire leads are cut flush prior to inserting into the Wire Gripper connect.*



**4**

- 4.1 Remove the red adhesive backing from the LED tapelight.
- 4.2 Carefully press the LED tapelight to the mounting surface. *If installing to a specific extrusion reference that installation for more details.*
- 4.3 Make the wiring connections in accordance with local & national electrical codes. *For additional information reference the power supply instruction. General wiring diagram on page 5.*



## Low Voltage Wire Gauge Chart

24V DC Voltage Drop and Wire Length (ft.) Distance Chart													
Power (W)	10W	20W	30W	40W	50W	60W	70W	80W	90W	100W	110W	120W	
Wire Gauge	#18	189'	94'	63'	47'	38'	31'	27'	24'	21'	19'	17'	16'
	#16	300'	149'	100'	76'	60'	50'	43'	37'	33'	30'	27'	25'
	#14	478'	238'	159'	120'	95'	79'	68'	60'	53'	48'	43'	40'
	#12	753'	274'	250'	189'	150'	125'	108'	94'	83'	75'	68'	63'
	#10	1205'	599'	400'	303'	240'	200'	172'	150'	133'	120'	109'	100'

## Typical Wiring Diagram - Static Color

