

## BORDER EXTRUSION



### QUICK SPECIFICATIONS

BODY MATERIAL	Double anodized aluminum
LENS MATERIAL	Polycarbonate
MAX. LED TAPE WIDTH	Accommodates tapes up to 0.53" wide
DIMENSIONS	1.21" W x 2.01" H

#### FINISH

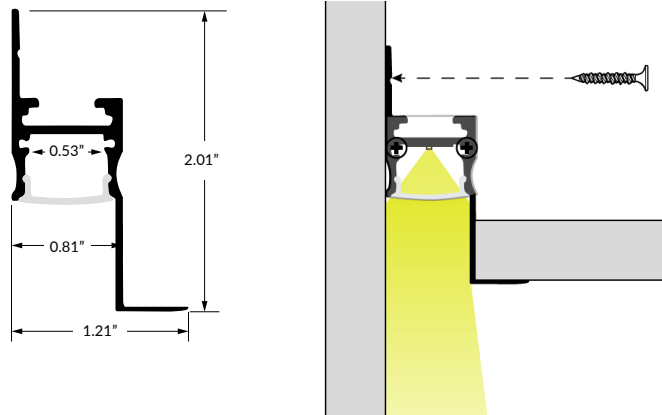
Standard finish is white powder coat or silver anodized.

#### MOUNTING

Mounting screws recommended (not included).

#### ACCESSORIES

Four (4) aluminum endcaps included. Additional endcaps sold separately.

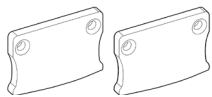


## PART NUMBER BUILDER / ORDERING GUIDE

Example part number: LLI-XR-BDR-SA-F-48IN

SERIES	FINISH	LENS	LENGTH
LLI-XR-BDR	SA	F	<input type="text"/>
	SA Silver Anodized	F Frosted	(enter custom length in inches, up to 78")
			48IN 48" section
			78IN 78" section

## ACCESSORIES



**ENDCAP**  
4 endcaps included; extra endcaps sold separately

**LLI-XR-BDR-SET**