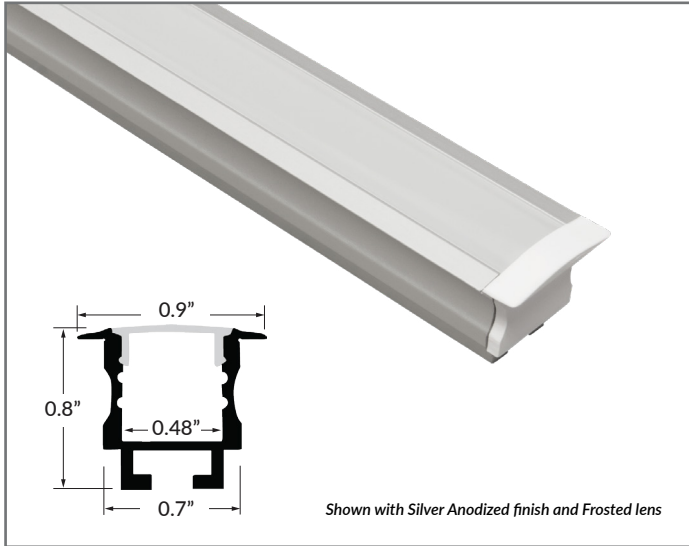


DEEP FLANGED EXTRUSION



QUICK SPECIFICATIONS

BODY MATERIAL	Double anodized aluminum
LENS MATERIAL	Polycarbonate
MAX. LED TAPE WIDTH	Accommodates tapes up to 0.48" wide
DIMENSIONS	0.92" W x 0.80" H

FINISH

Standard finishes are silver anodized and black anodized. Custom finishes available for any RAL #. Additional price and MOQ may apply.

MOUNTING

Two (2) spring mounting clips included for each 48" section. Four (4) spring mounting clips included for each 94" section. Additional clips sold separately.

ACCESSORIES

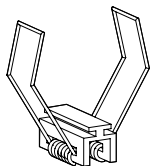
Four (4) plastic endcaps included. Additional endcaps sold separately.

PART NUMBER BUILDER / ORDERING GUIDE

Example part number: LLI-XR-DPF-SA-F-48IN

SERIES	FINISH	LENS	LENGTH
LLI-XR-DPF			
	SA Silver Anodized BL Black Anodized	F Frosted C Clear W White BL Black	(enter custom length in inches, up to 94") 48IN 48" section 94IN 94" section

ACCESSORIES



SPRING MOUNTING CLIP
Included

LLI-XR-DPF-SMCL
1.0"L x 0.7" W x 2.3" H



ENDCAP
4 endcaps included; extra endcaps sold separately

LLI-XR-DPF-EC
(solid endcap)

LLI-XR-DPF-ECH
(endcap with hole)