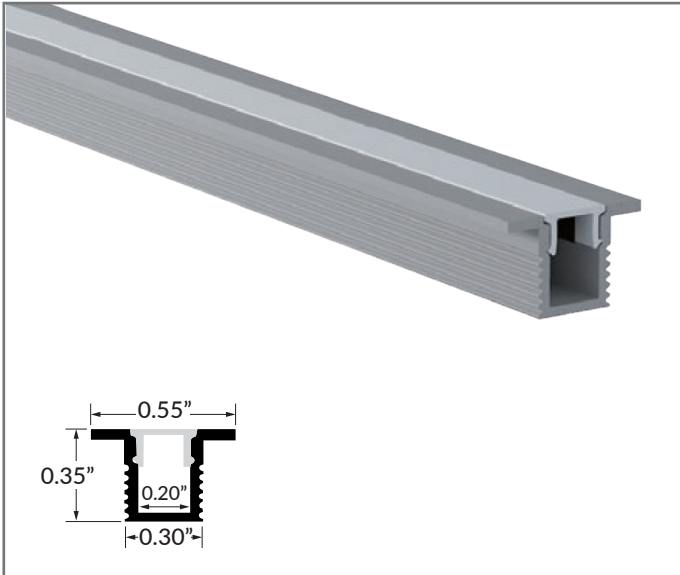


# MICRO FLANGED EXTRUSION



## QUICK SPECIFICATIONS

BODY MATERIAL	Double anodized aluminum
LENS MATERIAL	Polycarbonate
MAX. LED TAPE WIDTH	Accommodates tapes up to 0.20" wide
DIMENSIONS	0.55" W x 0.35" H

### FINISH

Standard finish is silver anodized.

Custom finishes available for any RAL #.  
Additional price and MOQ may apply.

### ACCESSORIES

Four (4) mounting clips included for each 48" or 94" section. Four (4) plastic endcaps included. Additional mounting clips and endcaps sold separately.

## PART NUMBER BUILDER / ORDERING GUIDE

Example part number: LLI-XR-MCF-SA-F-48IN

SERIES	FINISH	LENS	LENGTH
LLI-XR-MCF	SA	F	<input type="text"/>
	SA Silver Anodized	F Frosted	(enter custom length in inches, up to 94")
			48IN 48" section
			94IN 94" section

## ACCESSORIES



**MOUNTING CLIP**  
4 mounting clips included;  
extra clips sold separately

**LLI-XR-MCF-MC**



**ENDCAP**  
4 endcaps included; extra  
endcaps sold separately

**LLI-XR-MCF-EC**

(solid endcap)

**LLI-XR-MCF-ECH**

(endcap with hole)