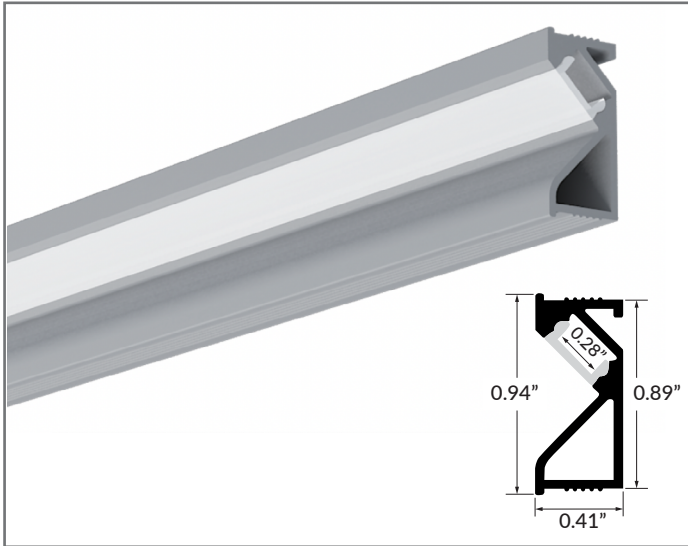


RECESSED ANGLED EXTRUSION



QUICK SPECIFICATIONS

BODY MATERIAL	Double anodized aluminum
LENS MATERIAL	Polycarbonate
MAX. LED TAPE WIDTH	Accommodates tapes up to 0.28" wide
DIMENSIONS	0.41" W x 0.94" H

FINISH

Standard finishes is silver anodized. Custom finishes available for any RAL #. Additional price and MOQ may apply.

MOUNTING

Press fit into routed groove.

ACCESSORIES

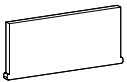
Four (4) plastic endcaps included. Additional endcaps sold separately.

PART NUMBER BUILDER / ORDERING GUIDE

Example part number: LLI-XR-RAN-SA-F-48IN

SERIES	FINISH	LENS	LENGTH
LLI-XR-RAN	SA	F	<input type="text"/>
	SA Silver Anodized	F Frosted	(enter custom length in inches, up to 94")
			48IN 48" section
			94IN 94" section

ACCESSORIES



ENDCAP

4 endcaps included; extra endcaps sold separately

LLI-XR-RAN-EC

(solid endcap)

LLI-XR-RAN-ECH

(endcap with hole)