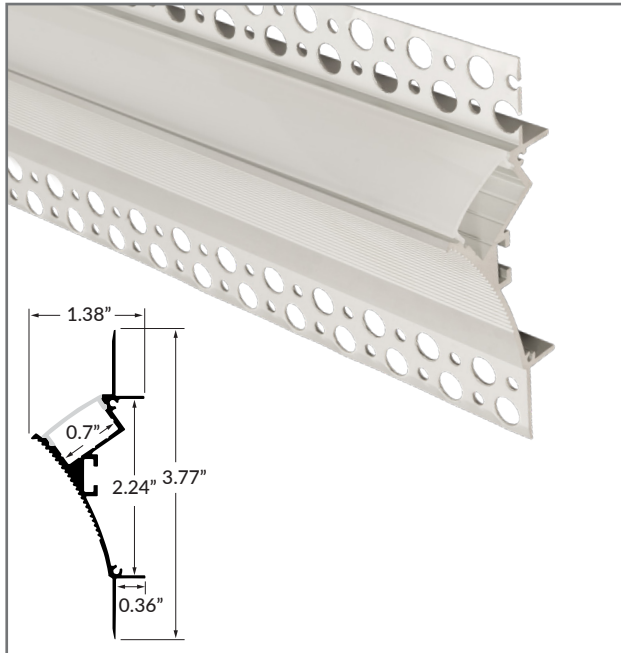


SEAMLESS COVE EXTRUSION



QUICK SPECIFICATIONS

BODY MATERIAL	Double anodized aluminum
LENS MATERIAL	Polycarbonate
MAX. LED TAPE WIDTH	Accommodates tapes up to 0.7" wide
DIMENSIONS	1.38" W x 3.77" H

FINISH

Standard finish is white powder coat.
Custom finishes available for any RAL #.
Additional price and MOQ may apply.

ACCESSORIES

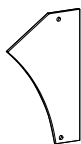
Four (4) plastic endcaps included for each 48" or 94" section. Additional endcaps sold separately.

PART NUMBER BUILDER / ORDERING GUIDE

Example part number: LLI-XR-SCV-SA-F-48IN

SERIES	FINISH	LENS	LENGTH
LLI-XR-SCV	WH	F	<input type="text"/>
	WH White Powder Coat	F Frosted	(enter custom length in inches, up to 94") 48IN 48" section 94IN 94" section

ACCESSORIES



ENDCAP
4 endcaps included; extra endcaps sold separately

LLI-XR-SCV-EC

(solid endcap)