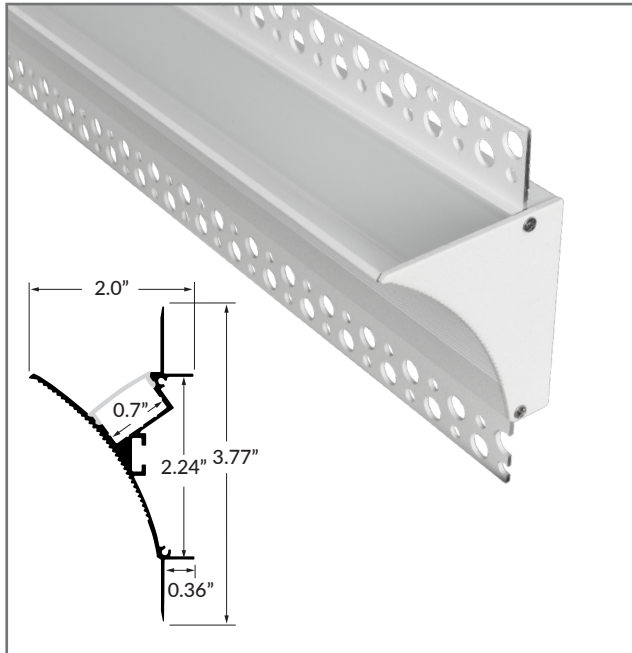


SEAMLESS COVE 2 EXTRUSION



QUICK SPECIFICATIONS

BODY MATERIAL	Double anodized aluminum
LENS MATERIAL	Polycarbonate
MAX. LED TAPE WIDTH	Accommodates tapes up to 0.7\" wide
DIMENSIONS	2.0\" W x 3.77\" H

FINISH

Standard finish is white powder coat.
 Custom finishes available for any RAL #.
 Additional price and MOQ may apply.

ACCESSORIES

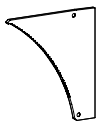
Four (4) endcaps included for each 48\" or 94\" section. Additional endcaps sold separately.

PART NUMBER BUILDER / ORDERING GUIDE

Example part number: LLI-XR-SCV2-WH-F-48IN

SERIES	FINISH	LENS	LENGTH
LLI-XR-SCV2	WH	F	<input type="text"/>
	WH White Powder Coat	F Frosted	(enter custom length in inches, up to 94\")
			48IN 48\" section
			94IN 94\" section

ACCESSORIES



ENDCAP
 4 endcaps included; extra endcaps sold separately

LLI-XR-SCV2-EC
 (solid endcap)