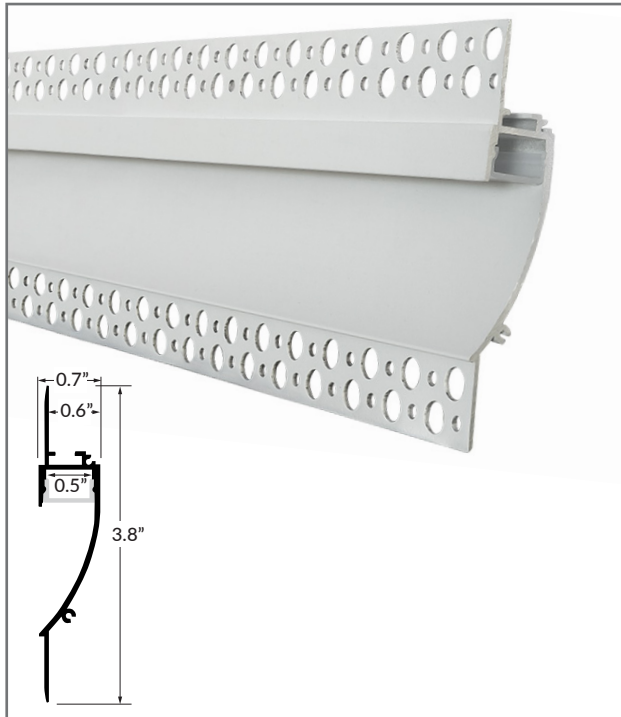


SEAMLESS CURVE EXTRUSION



QUICK SPECIFICATIONS

BODY MATERIAL	Double anodized aluminum
LENS MATERIAL	Polycarbonate
MAX. LED TAPE WIDTH	Accommodates tapes up to 0.5" wide
DIMENSIONS	0.7" W x 3.8" H

FINISH

Standard finish is silver anodized.

MOUNTING

Fits a minimum 5/8" wall depth. Gypsum adhesive or mounting adhesive recommended (sold separately).

ACCESSORIES

One (1) joiner bar included. Four (4) plastic endcaps included. Additional endcaps sold separately.

PART NUMBER BUILDER / ORDERING GUIDE

Example part number: LLI-XR-SMC-WH-F-48IN

SERIES	FINISH	LENS	LENGTH
LLI-XR-SMC	WH	F	<input type="text"/>
	WH White Powder Coat	F Frosted	(enter custom length in inches, up to 94")
			48IN 48" section
			94IN 94" section

ACCESSORIES



ENDCAP

4 endcaps included; extra endcaps sold separately

LLI-XR-SMC-EC

(solid endcap)