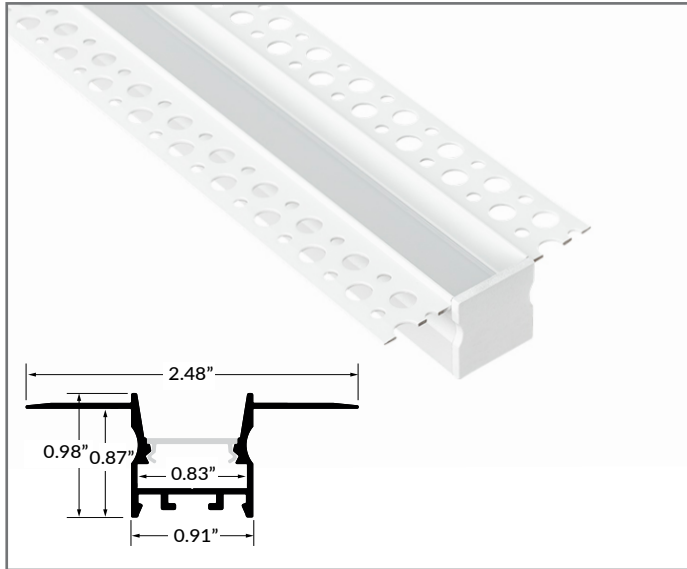


SEAMLESS REGRESSED EXTRUSION



QUICK SPECIFICATIONS

BODY MATERIAL	Double anodized aluminum
LENS MATERIAL	Polycarbonate
MAX. LED TAPE WIDTH	Accommodates tapes up to 0.83" wide
DIMENSIONS	2.48" W x 0.98" H

FINISH

Standard finish is white powder coat.

MOUNTING

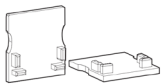
Screws and plaster recommended (sold separately).

PART NUMBER BUILDER / ORDERING GUIDE

Example part number: LLI-XR-SMR-WH-F-48IN

SERIES	FINISH	LENS	LENGTH
LLI-XR-SMR	WH	F	<input type="text"/>
	WH White Powder Coat	F Frosted	(enter custom length in inches, up to 94")
			48IN 48" section
			94IN 94" section

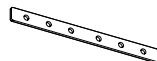
ACCESSORIES



MOUNTING CLIP

4 endcaps included; extra endcaps sold separately

LLI-XR-SMR-EC-SET



JOINER BAR

LLI-XR-SMR-JBAR-4IN

(Screws and hex wrench included)