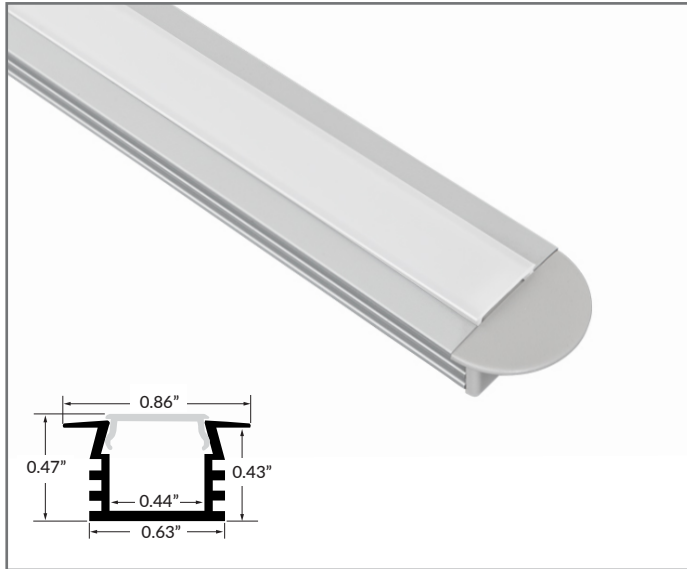


SQUARE FLANGED EXTRUSION



QUICK SPECIFICATIONS

BODY MATERIAL	Double anodized aluminum
LENS MATERIAL	Polycarbonate
MAX. LED TAPE WIDTH	Accommodates tapes up to 0.48" wide
DIMENSIONS	0.86" W x 0.47" H

FINISH

Standard finish is silver anodized.

MOUNTING

Two (2) mounting clips included for each 48" section. Four (4) mounting clips included for each 94" section. Additional clips sold separately.

ACCESSORIES

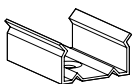
Four (4) plastic endcaps included. Additional endcaps sold separately.

PART NUMBER BUILDER / ORDERING GUIDE

Example part number: LLI-XR-SQF-SA-F-48IN

SERIES	FINISH	LENS	LENGTH
LLI-XR-SQF	SA	F	<input type="text"/>
	SA Silver Anodized	F Frosted	(enter custom length in inches, up to 94")
			48IN 48" section
			94IN 94" section

ACCESSORIES

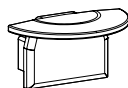


MOUNTING CLIP

Mounting clips included; extra clips sold separately

LLI-XR-SQF-MC

0.63" W x 0.31" H x 0.79" L



ENDCAP

4 endcaps included; extra endcaps sold separately

LLI-XR-SQF-EC

(solid endcap)

LLI-XR-SQF-ECH

(endcap with hole)