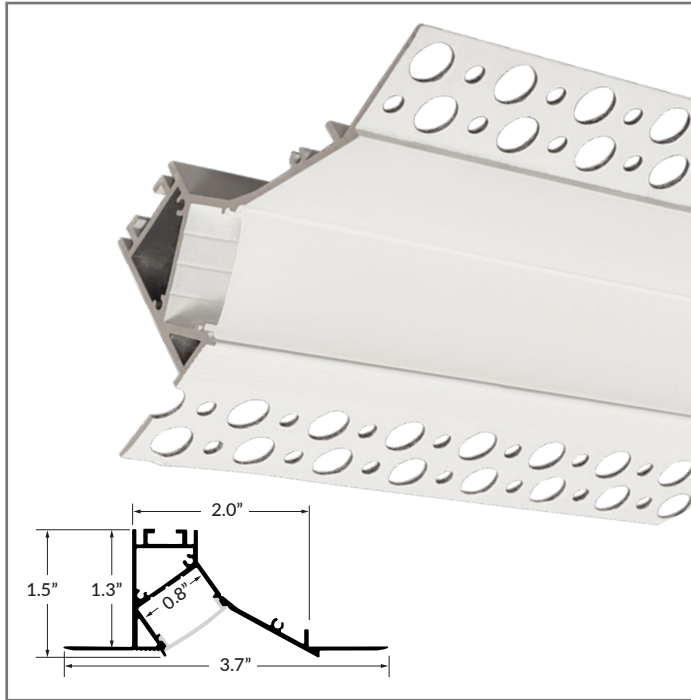


SEAMLESS WALL WASHER EXTRUSION



QUICK SPECIFICATIONS

BODY MATERIAL	Double anodized aluminum
LENS MATERIAL	Polycarbonate
MAX. LED TAPE WIDTH	Accommodates tapes up to 0.8" wide
DIMENSIONS	3.7" W x 1.5" H

FINISH

Standard finish is white powder coat.

MOUNTING

Gypsum adhesive or mounting adhesive recommended (sold separately).

ACCESSORIES

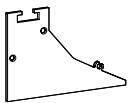
Four (4) aluminum endcaps included. Additional endcaps sold separately.

PART NUMBER BUILDER / ORDERING GUIDE

Example part number: LLI-XR-SWW-WH-F-48IN

SERIES	FINISH	LENS	LENGTH
LLI-XR-SWW	WH	F	<input type="text"/>
	WH White Powder Coat	F Frosted	(enter custom length in inches, up to 78")
			48IN 48" section
			78IN 78" section

ACCESSORIES



ENDCAP

4 endcaps included; extra endcaps sold separately

LLI-XR-SWW-EC

(solid endcap)

LLI-XR-SWW-ECH

(endcap with hole)