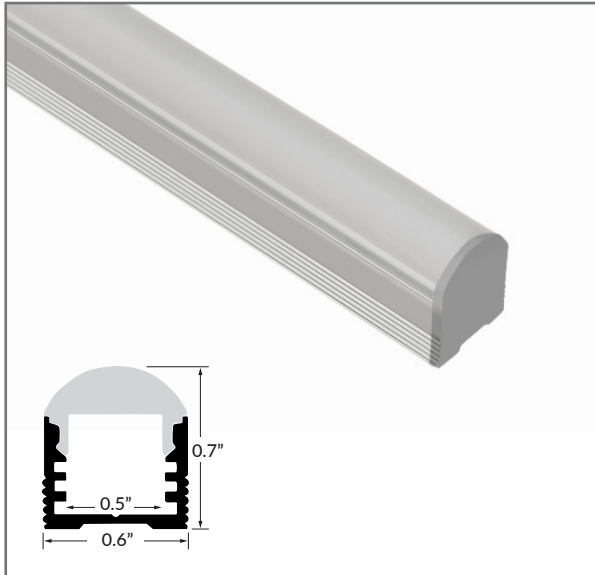


GRAZER EXTRUSION



QUICK SPECIFICATIONS

| | |
|---------------------|------------------------------------|
| BODY MATERIAL | Double anodized aluminum |
| LENS MATERIAL | Polycarbonate |
| MAX. LED TAPE WIDTH | Accommodates tapes up to 0.5" wide |
| DIMENSIONS | 0.6" W x 0.7" H |

FINISH

Standard finish is silver anodized.

Custom finishes available for any RAL #.
Additional price and MOQ may apply.

ACCESSORIES

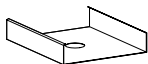
Four (4) mounting clips included for each 48" or 94" section. Four (4) plastic endcaps included. Additional mounting clips and endcaps sold separately.

PART NUMBER BUILDER / ORDERING GUIDE

Example part number: LLI-XS-GZR-SA-C-48IN

| | | | |
|---------------|--------------------|---------------|--|
| SERIES | FINISH | LENS | LENGTH |
| LLI-XS-GZR | SA | | |
| | SA Silver Anodized | SS Semi-Satin | (enter custom length in inches, up to 94") |
| | | C Clear | 48IN 48" section |
| | | | 94IN 94" section |

ACCESSORIES



MOUNTING CLIP
4 mounting clips included;
extra clips sold separately

LLI-XS-GZR-MC

Dimensions:
0.72" W x 0.17" H x 0.59" L



ADJUSTABLE MOUNTING CLIP
Sold separately

LLI-XS-GZR-MCL-ADJ

Dimensions:
0.7" W x 0.8" H x 1.4"L



ENDCAP
4 endcaps included; extra
endcaps sold separately

LLI-XS-GZR-EC

(solid endcap)