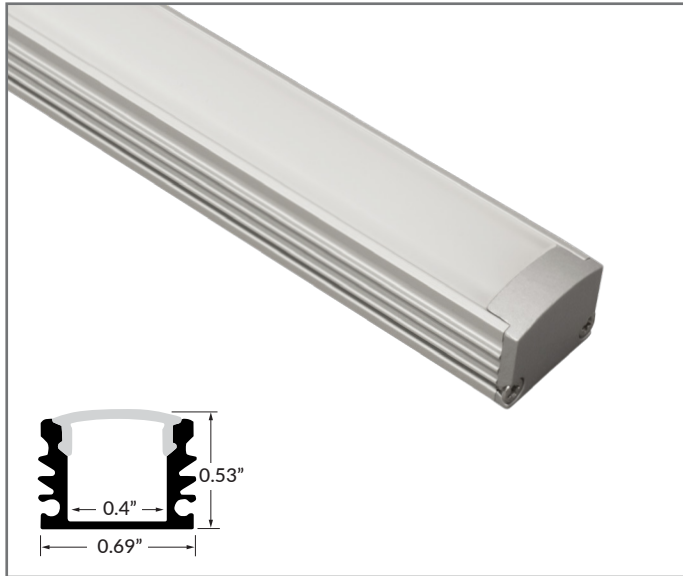


SQUARE EXTRUSION



QUICK SPECIFICATIONS

BODY MATERIAL	Double anodized aluminum
LENS MATERIAL	Polycarbonate
MAX. LED TAPE WIDTH	Accommodates tapes up to 0.4" wide
DIMENSIONS	0.69" W x 0.53" H

FINISH

Standard finish is silver anodized.

Custom finishes available for any RAL #.
Additional price and MOQ may apply.

ACCESSORIES

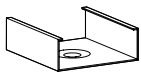
Four (4) mounting clips included for each 48" or 94" section. Four (4) plastic endcaps included. Additional mounting clips and endcaps sold separately.

PART NUMBER BUILDER / ORDERING GUIDE

Example part number: LLI-XS-SQR-SA-F-48IN

SERIES	FINISH	LENS	LENGTH
LLI-XS-SQR	SA	F	<input type="text"/>
	SA Silver Anodized	F Frosted	(enter custom length in inches, up to 94")
			48IN 48" section
			94IN 94" section

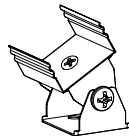
ACCESSORIES



MOUNTING CLIP
4 mounting clips included;
extra clips sold separately

LLI-XS-SQR-MC

0.8" W x 0.4" H x 0.6" L



ADJUSTABLE MOUNTING CLIP
Sold separately

LLI-XS-SQR-MCL-ADJ

0.6"L x 0.9" W x 0.9" D



ENDCAP
4 endcaps included; extra
endcaps sold separately

LLI-XS-SQR-EC

(solid endcap)

LLI-XS-SQR-ECH

(endcap with hole)