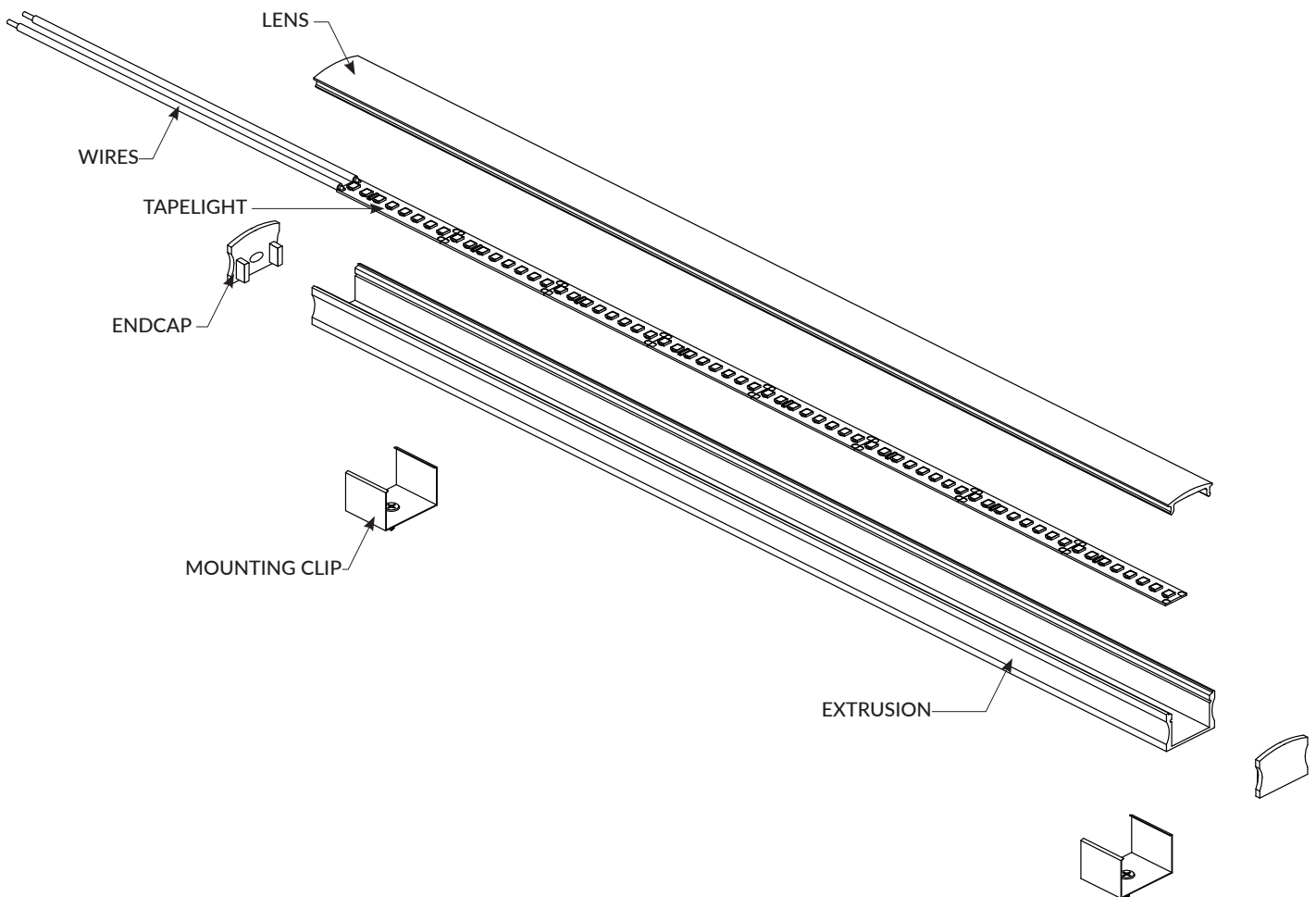
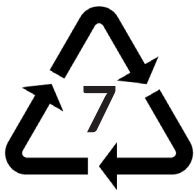


Recycling Materials - Linear Assemblies & Anodized Extrusion

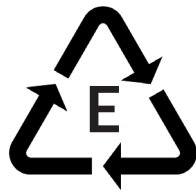
Follow these instructions for material recycle options. Verify with your local recycling facilities to confirm the acceptance of the materials specified. Should they be ineligible for recycling locally, kindly return the materials to us for responsible recycling. For further assistance, reach out to our Customer Service team.



Recycling Code - Material Breakdown



LENS,
PLASTIC
MOUNTING CLIPS



TAPELIGHT,
WIRES



EXTRUSION,
ENDCAPS



MOUNTING CLIPS



ARCHITECTURAL
LIGHTING

www.llilighting.com
tel: 847-412-4880
cs@llilighting.com
REV 04252024